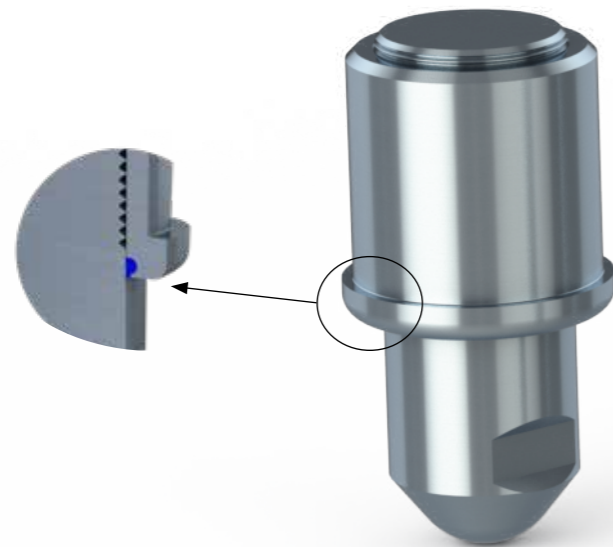


TANK SUPPORT BOLTS FOR LEVELLING

THE ONLY **HYGIENIC TANK SUPPORT BOLT** IN THE WORLD
WITH **SEALING** BETWEEN WELDING CONNECTOR AND SPINDLE

SEALED MOVABLE PARTS AND NO EXPOSED THREAD
REDUCES CLEANING AND **INCREASES SANITARY SAFETY**



HYGIENIC TANK SUPPORT BOLTS

The product group of hygienic-oriented tank support bolts is the optimal choice for extremely heavy machinery, equipment, tanks and vessels in diverse production environments.

Limited cleaning effort is obtained by sealing the welding connector with a fixed blue sealing ring that is detectable by scanning systems. Choosing NGI's tank support bolts will secure your heavy machinery with a hygienic design.

Product Group Features

- Designed for high load capacity
- Solid hygienic-oriented design with no exposed thread and limited cleaning effort
- Sealed welding connector with BSPP pipe thread
- Customized welding connectors available
- Optional counter nut available
- Optional anti-vibration, anti-slip rubber underneath the footplate
- Stainless steel AISI 304/A2, 1.4301. Optional AISI 316/A4, 1.4401



SBX

Special Features

- Height variation 32 mm – 85 mm
- Weight load up to 493.600 N
- The support bolt absorbs slants up to 20°

276



COUNTER NUT

- Counterlocks the spindle against the top of the welding connector

282



KTSBX

Special Features

- Height variation 38 mm – 94 mm
- Weight load up to 200.000 N
- The footplate and support bolt are two separate parts
- Diametrically centered depression in the footplate
- The support bolt absorbs slants up to 20°

278



DECLARATION OF CONFORMITY

This declaration of conformity lists all the directives and standards that NGI adheres to. This ensures that products from NGI are always in compliance with currently valid requirements.

284



KTSBX AS

Special Features

- Height variation 43 mm – 98 mm
- Weight load up to 30.000 N
- The footplate and support bolt are two separate parts
- Diametrically centered depression in the footplate
- The support bolt absorbs slants up to 20°
- Anti-vibration, anti-slip rubber underneath the footplate

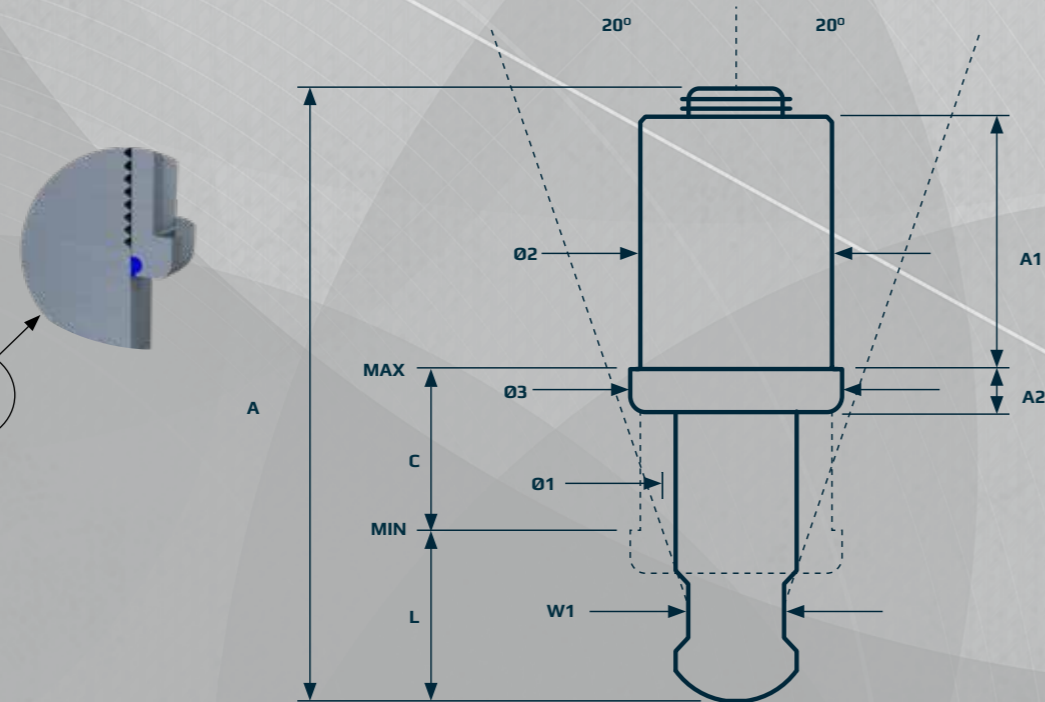
280

TANK SUPPORT BOLTS SBX

The SBX support bolt is the optimal choice for extremely heavy machinery, equipment, tanks and vessels in diverse production environments.

Limited cleaning effort is obtained by sealing the welding connector with a fixed blue sealing ring that is detectable by scanning systems. The SBX support bolt secures your heavy machinery with a hygienic design.

Standard sizes are listed on the datasheet. Optional customized designs are available upon request.



TANK SUPPORT BOLTS SBX



PRODUCT CODE

SPINDLE - SLEEVE

EXAMPLE

SBX12114-WCXRU1260

SPINDLE



THREAD A [BSPP]	HEIGHT A [mm]	MIN HEIGHT L [mm]	W1 [mm]	NOM LOAD COMPRESSION [N]	DIAMETER Ø1 [mm]	ITEM CODE
1/2 - 14	120	33	19,05	46.654	22	SBX12120
3/4 - 14	120	38	25,4	78.309	30	SBX34120
1 - 11	140	41	31,75	122.967	35	SBX10140
1 1/4 - 11	140	44	38,10	204.021	42	SBX54140
1 1/2 - 11	140	51	44,45	270.603	50	SBX32140
2 - 11	150	60	57,15	431.925	61,2	SBX20150

SLEEVE



THREAD A [BSPP]	ADJUSTMENT C [mm]	HEIGHT A1 [mm]	HEIGHT A2 [mm]	DIAMETER Ø2 [mm]	DIAMETER Ø3 [mm]	ITEM CODE
1/2 - 14	30	53	7	38	42	WCXRU1260
3/4 - 14	30	50	10	45	50	WCXRU3460
1 - 11	30	50	10	55	60	WCXRU1060
1 1/4 - 11	30	67	8	52	60	WCXRU5475
1 1/2 - 11	30	67	8	62	69	WCXRU3275
2 - 11	30	67	8	75	80	WCXRU2075



Total height = A
 Minimum usable height = L
 Maximum usable height = L + C
 Tolerance of total height = +/-1,5 mm

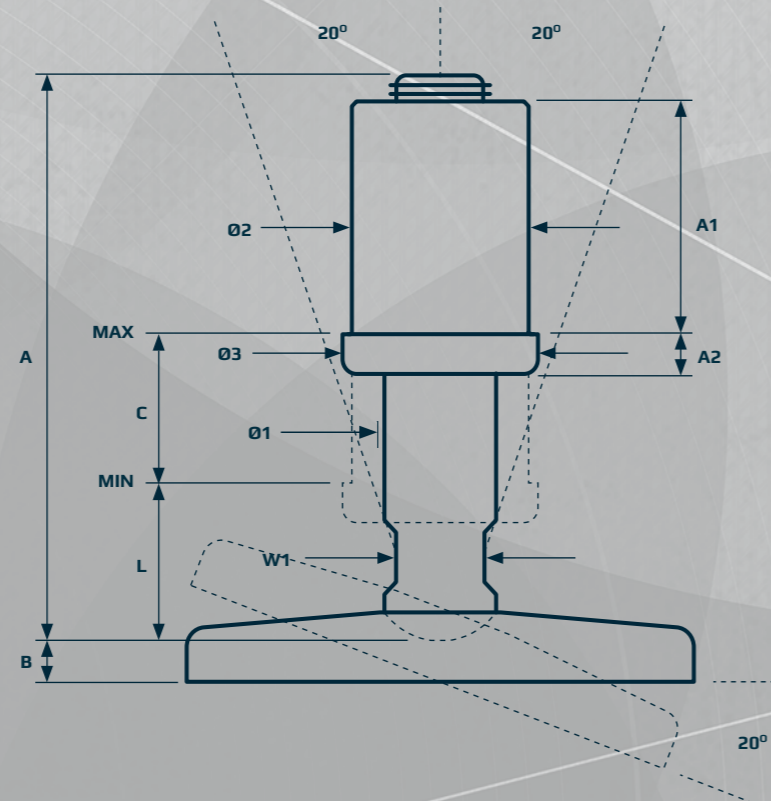
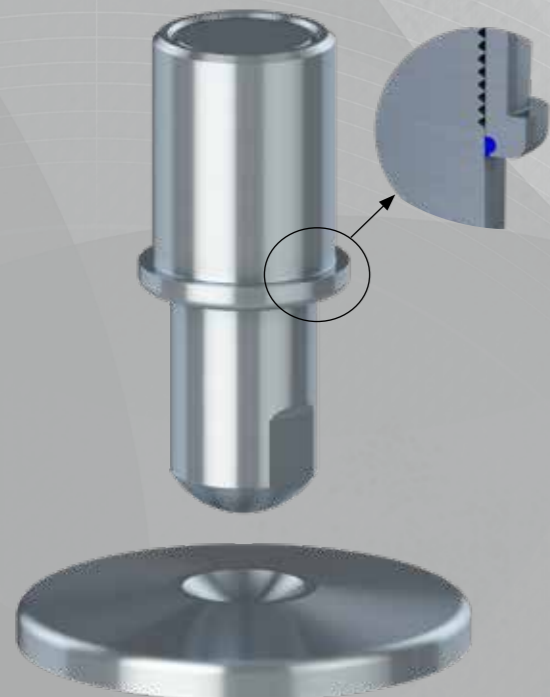
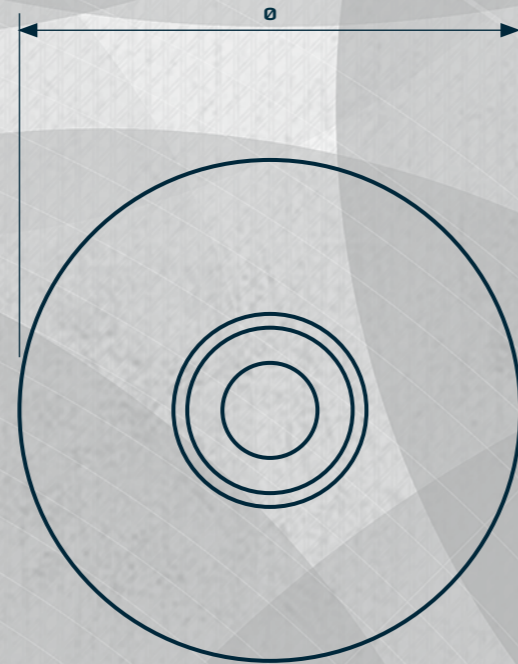
TANK SUPPORT BOLTS KTSBX

The KTSBX support bolt with footplate is the optimal choice for extremely heavy machinery, equipment, tanks and vessels in diverse production environments where distribution of the weight load is required.

The KTSBX consists of a separated footplate, support bolt and welding connector. The support bolt is held in place by the diametrically centered depression in the footplate.

Limited cleaning effort is obtained by sealing the welding connector with a fixed blue sealing ring that is detectable by scanning systems. The KTSBX support bolt secures your heavy machinery with a hygienic design.

Standard sizes are listed on the datasheet. Optional customized designs are available upon request.



TANK SUPPORT BOLTS KTSBX



PRODUCT CODE **FOOT - SPINDLE - SLEEVE**

EXAMPLE **KT090-SB12114-WCX1255**

FOOT PLATE



SPINDLE



SLEEVE



TYPE	DIAMETER Ø [mm]	HEIGHT B [mm]	NOM LOAD COMPRESSION [N]	ITEM CODE
90	89	9	120.000	KT090
110	109	8	140.000	KT110
* 130	129	8,5	200.000	KT130
* 150	149	8,5	200.000	KT150

THREAD A [BSPP]	HEIGHT A [mm]	MIN HEIGHT L [mm]	W1 [mm]	NOM LOAD COMPRESSION [N]	DIAMETER Ø1 [mm]	ITEM CODE
1/2 - 14	120	33	19,05	46.645	22	SBX12120
3/4 - 14	120	38	25,4	78.309	30	SBX34120
* 1 - 11	140	41	31,75	122.967	35	SBX10140
* 1 1/4 - 11	140	44	38,10	204.021	42	SBX54140
* 1 1/2 - 11	140	51	44,45	270.603	50	SBX32140
* 2 - 11	150	60	57,15	431.925	61,2	SBX20150

THREAD A [BSPP]	ADJUSTMENT C [mm]	HEIGHT A1 [mm]	HEIGHT A2 [mm]	DIAMETER Ø2 [mm]	DIAMETER Ø3 [mm]	ITEM CODE
1/2 - 14	30	53	7	38	42	WCXRU1260
3/4 - 14	30	50	10	45	50	WCXRU3460
1 - 11	30	50	10	55	60	WCXRU1060
1 1/4 - 11	30	67	8	52	60	WCXRU5475
1 1/2 - 11	30	67	8	62	69	WCXRU3275
2 - 11	30	67	8	75	80	WCXRU2075



Total height = A + B
 Minimum usable height = B + L
 Maximum usable height = B + L + C
 Maximum nominal load = Lowest value for footplate or spindle
 Tolerance of total height = +/- 1,5 mm

* Adjust A -2 mm and B +2 mm if footplate is combined with spindle BSPP 1, BSPP 1 1/4, BSPP 1 1/2 or BSPP 2



TANK SUPPORT BOLTS

KTSBX AS

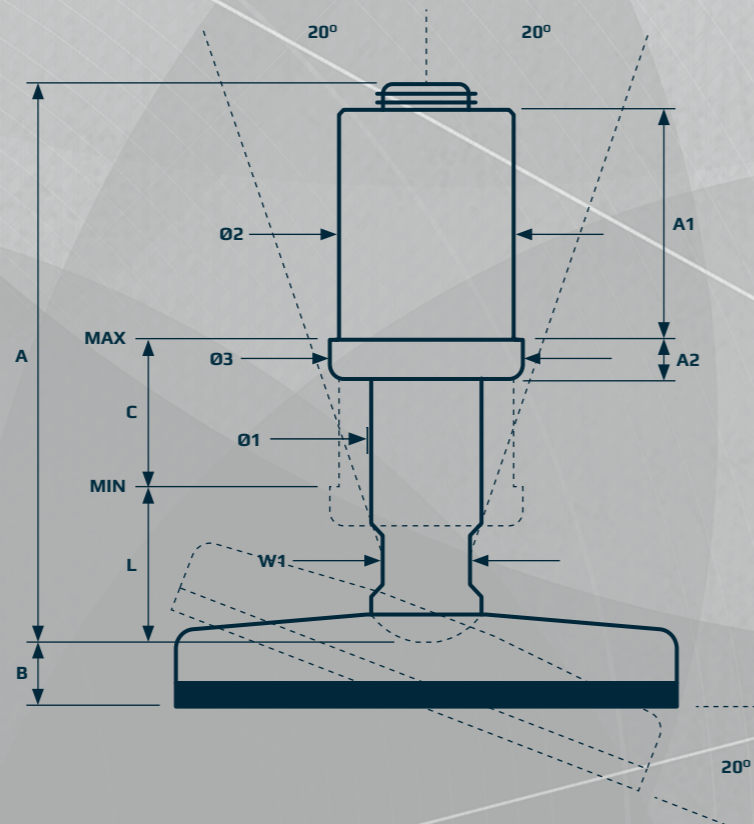
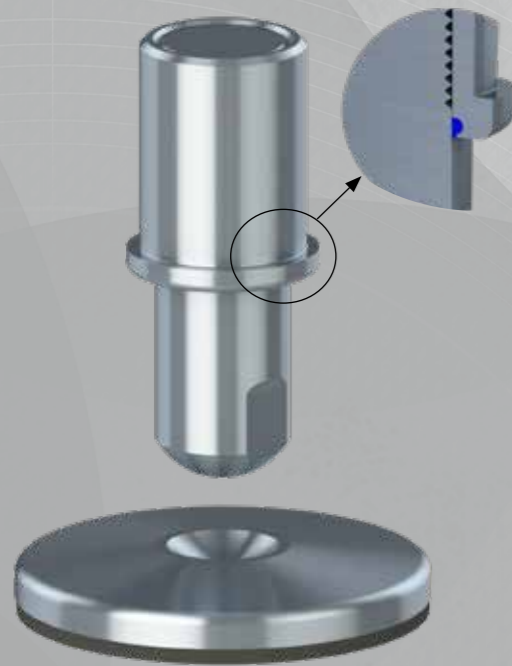
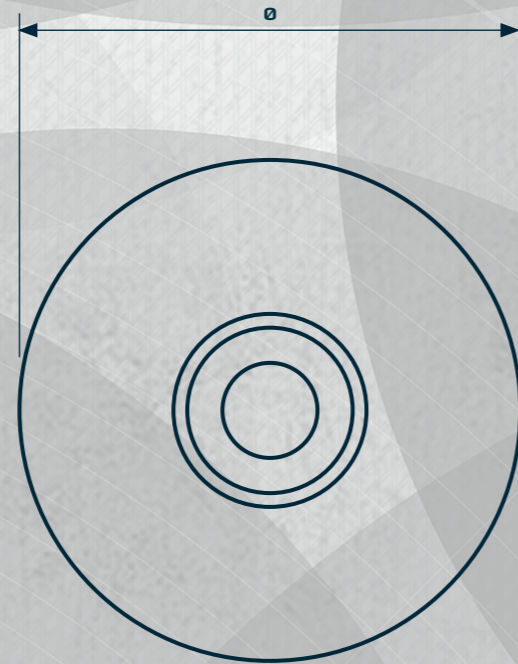
The KTSBX AS support bolt with anti-slip footplate is the optimal choice for machinery, equipment, tanks and vessels in diverse production environments where distribution of the weight load is required.

The KTSBX AS consists of a separated footplate, support bolt and welding connector. The support bolt is held in place by the diametrically centered depression on the footplate.

Additionally, the foot is sealed to the floor by the anti-slip rubber, which blocks out bacteria underneath the footplate.

Limited cleaning effort is obtained by sealing the welding connector with a fixed blue sealing ring that is detectable by scanning systems. The KTSBX AS support bolt secures your heavy machinery with a hygienic design.

Standard sizes are listed on the datasheet. Optional customized designs are available upon request.



TANK SUPPORT BOLTS

KTSBX AS



PRODUCT CODE

FOOT - SPINDLE - SLEEVE

EXAMPLE

KT090AS-SB12114-WCX1255

FOOT PLATE



TYPE	DIAMETER Ø [mm]	HEIGHT B [mm]	NOM LOAD COMPRESSION [N]	ITEM CODE
90AS	89	14	30.000	KT090AS
110AS	109	13	30.000	KT110AS
130AS	129	13,5	30.000	KT130AS
* 150AS	149	13,5	30.000	KT150AS
180AS	179	17	30.000	KT180AS

SPINDLE



THREAD A [BSPP]	HEIGHT A [mm]	MIN HEIGHT L [mm]	W1 [mm]	NOM LOAD COMPRESSION [N]	DIAMETER Ø1 [mm]	ITEM CODE
1/2 - 14	120	33	19,05	46.645	22	SBX12120
3/4 - 14	120	38	25,4	78.309	30	SBX34120
* 1 - 11	140	41	31,75	122.967	35	SBX10140
* 1 1/4 - 11	140	44	38,10	204.021	42	SBX54140
* 1 1/2 - 11	140	51	44,45	270.603	50	SBX32140
* 2 - 11	150	60	57,15	431.925	61,2	SBX20150

SLEEVE



THREAD A [BSPP]	ADJUSTMENT C [mm]	HEIGHT A1 [mm]	HEIGHT A2 [mm]	DIAMETER Ø2 [mm]	DIAMETER Ø3 [mm]	ITEM CODE
1/2 - 14	30	53	8	38	42	WCXRU1260
3/4 - 14	30	50	8	45	50	WCXRU3460
1 - 11	30	50	10	55	60	WCXRU1060
1 1/4 - 11	30	67	10	52	60	WCXRU5475
1 1/2 - 11	30	67	12	62	69	WCXRU3275
2 - 11	30	67	12	75	80	WCXRU2075

Total height = A + B
 Minimum usable height = B + L
 Maximum usable height = B + L + C
 Maximum nominal load = Lowest value for footplate or spindle
 Tolerance of total height AS = +/-1,5 mm
 AS = Anti-Slip

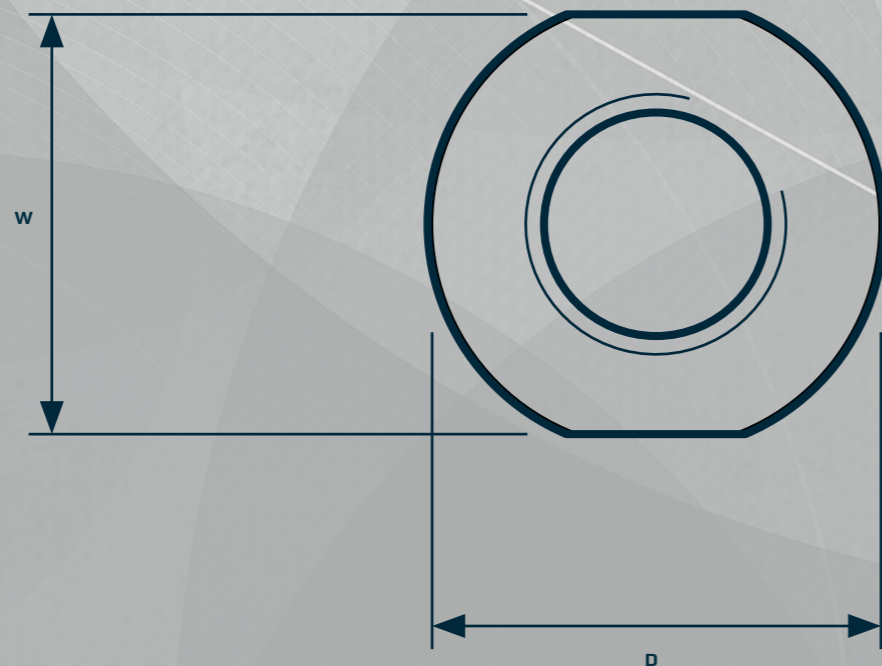
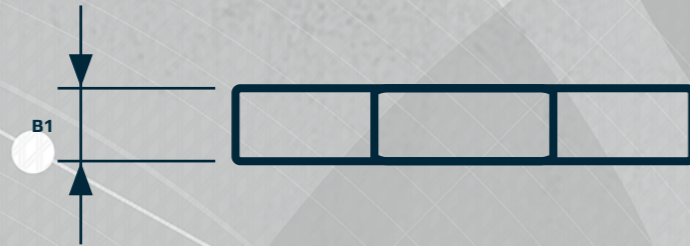


* Adjust A -2 mm and B +2 mm if footplate is combined with spindle BSPP 1, BSPP 1 1/4, BSPP 1 1/2 or BSPP 2



ACCESSORIES COUNTER NUT

This counter nut is used from above and counterlocks the spindle against the top of the welding connector.



ACCESSORIES FOR TANK SUPPORT BOLTS COUNTER NUT

COUNTER NUT



THREAD	W [mm]	DIAMETER D [mm]	HEIGHT B1 [mm]	ITEM CODE
1/2 [BSPP]	36	42	8	CN128
3/4	46	50	8	CN348
1	50	60	8	CN108
1 1/4	50	60	8	CN1148
1 1/2	55	65	10	CN11210
2	70	75	12	CN2012

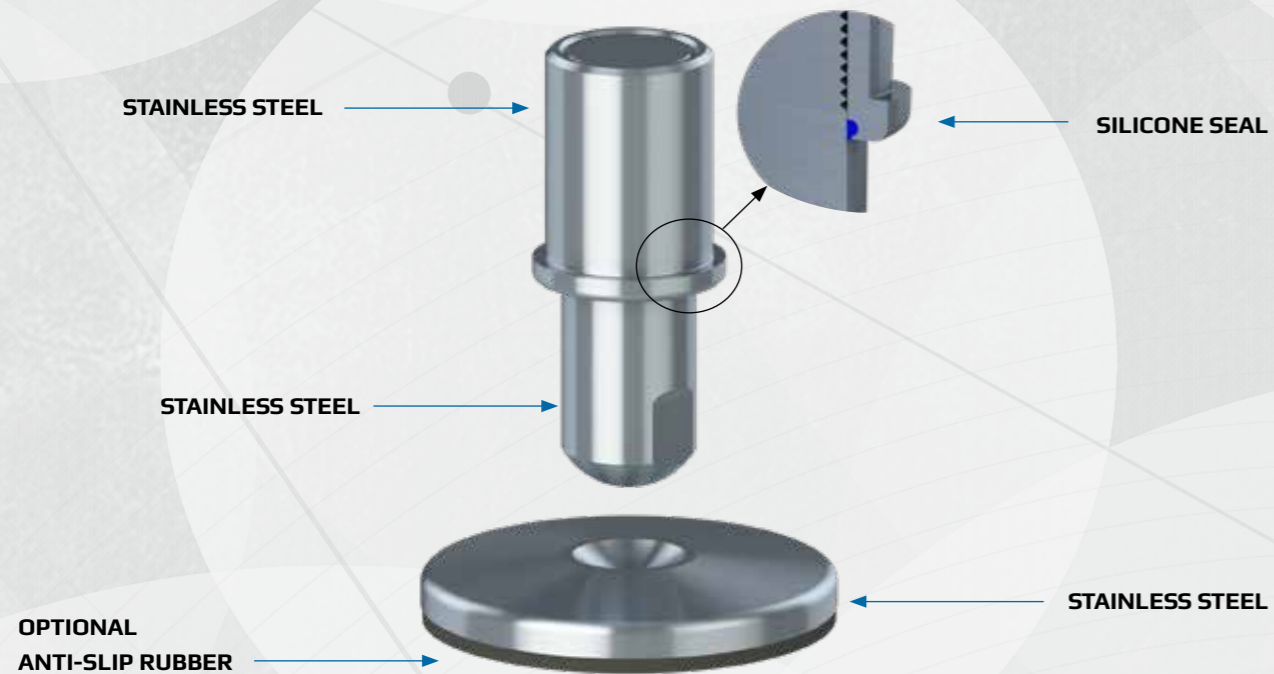
DECLARATION OF CONFORMITY TANK SUPPORT BOLTS



NGI fundamentally adheres to all applicable directives and standards. All information is based on the current state of knowledge and is subject to change. We attentively follow the revisions and amendments to these directives and will design our products accordingly. This ensures that products from NGI are always in compliance with currently valid requirements.

Our product category is not covered by the scope of application of the EC directive for machinery. For this reason, they cannot be furnished with the CE marking in accordance with the EC directive for machinery.

Furthermore, we declare that the listed materials applied in our products comply with the demands for materials used within the food and pharmaceutical industries.



DECLARATION OF CONFORMITY TANK SUPPORT BOLTS

THE DECLARATION OF MATERIALS CONCERNS THE FOLLOWING APPLICATIONS

Application:

Material type:

Compliance:

Steel spindle and sleeve

Stainless steel, AISI 304/A2 (X5CrNi18-10), Euronorm 1.4301.

By request: Stainless steel, AISI 316/A4 (X 5 CrNiMo 17 12 2), Euronorm 1.4401
EN 10204 Type 2.2. NGI A/S states that the product is in compliance with the order with indication of results of nonspecific inspection.

NGI has got EN 10204 type 3.1 inspection CERTIFIEDs on all material used in the products but not specified for each foot.

In the directive 94/9/EC, Equipment for potentially explosive atmospheres, also known as the ATEX directive, equipment without its own potential source of ignition are not covered, nor shall be marked according to the directive. However, NGI levelling feet are suitable for use in all ATEX zones.

Application:

Material type:

Electrically:

Chemical resistance:

Color:

Hardness:

Range of temperature:

Load:

Anti slip

NBR By request EPDM

Non-conductive

High to commonly applied cleaning agents

Black

Shore A 80 ± 5

Min -20 °C to Max 110 °C

Low load capacity

Application:

Material type:

Electrically:

Chemical resistance:

Color:

Hardness:

Range of temperature:

Storage:

Compliance:

RoHS 2:

Sealing ring between steel components for NGI's machine feet.

Silicon rubber

Non-conductive

High to commonly applied cleaning agents

RAL 5010 (blue)

Shore A 60 ± 5

Min -60°C to Max +200 °C

According to ISO 2230

FDA: Guideline 21 CFR 177.2600

In accordance with the Directive 2011/65/EC OF EUROPEAN PARLIAMENT AND OF THE COUNCIL.

GMP: Good manufacturing process in accordance with 2023/2006 EC.