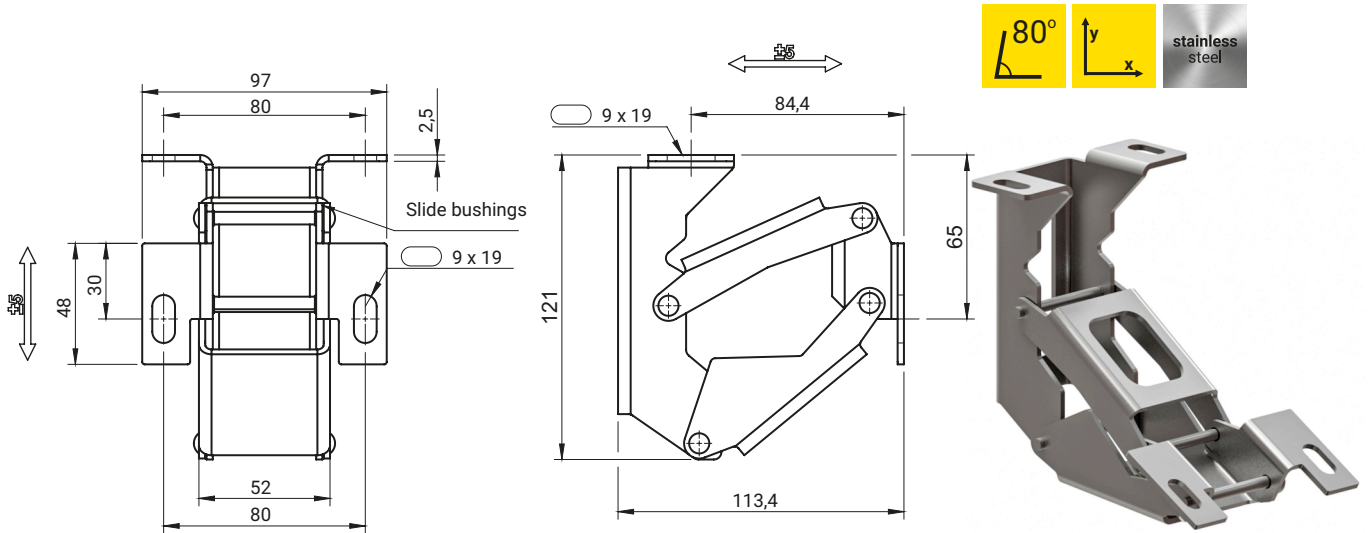
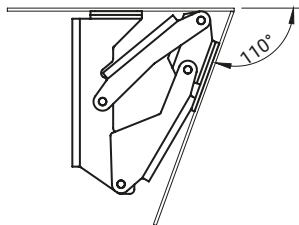


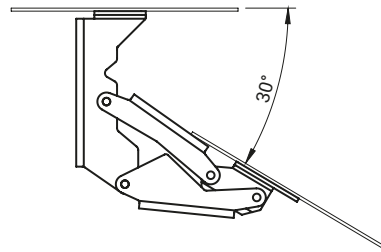
Hinge 3.ST302, 3.ST303



Closed position

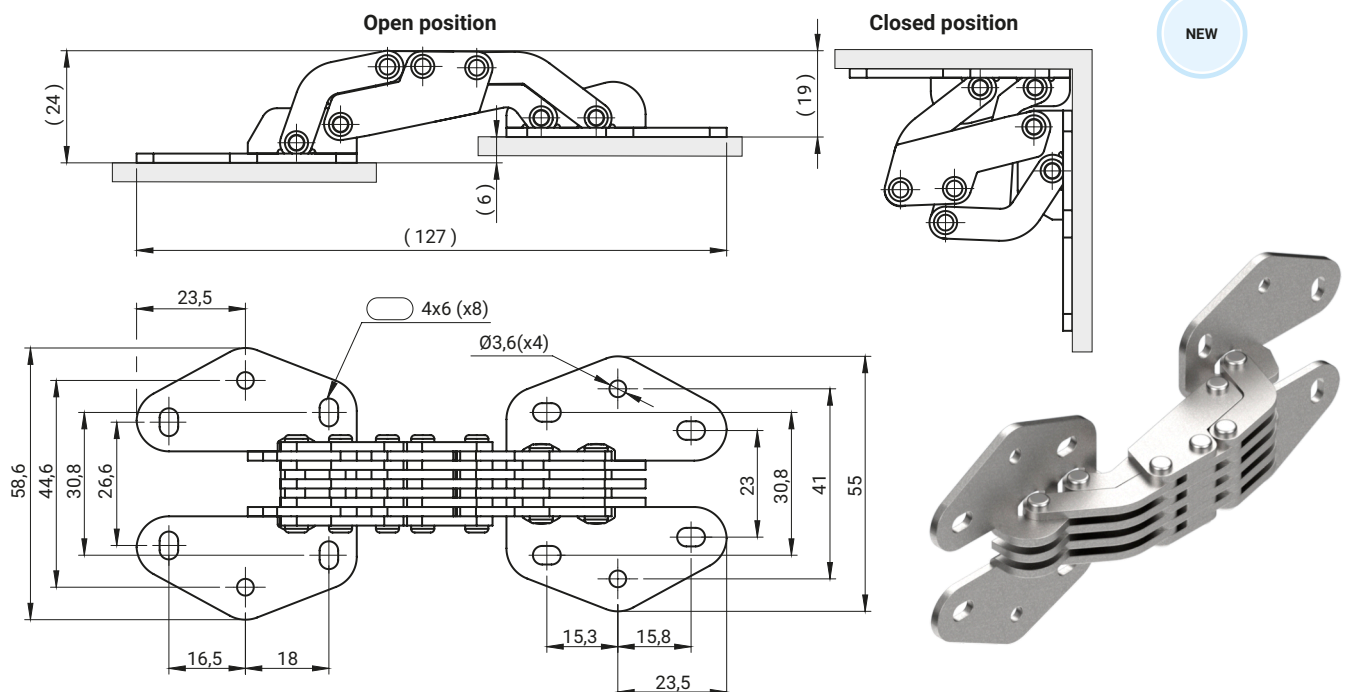


Open position



All hinge pivot axes are supported by slide bearings

CATALOGUE NO.	MATERIAL
3.ST302.001SN	Stainless steel



CATALOGUE NO.	MATERIAL
3.ST303.001	Steel zinc plated