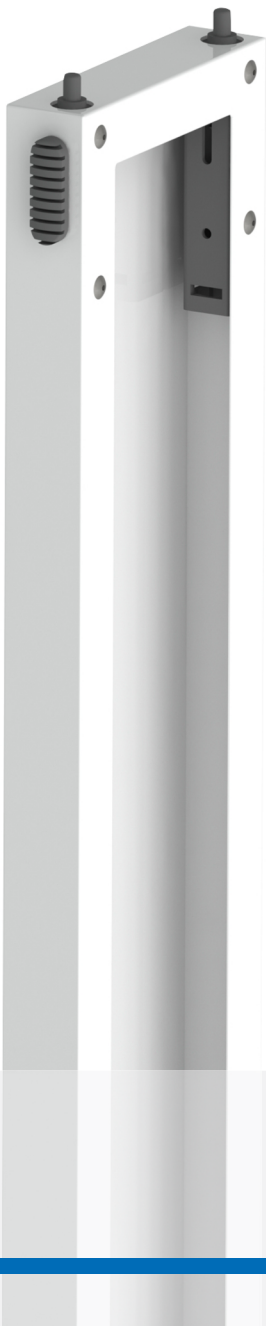


Panel latch

The smart invisible hinge for sheet metal doors.



Product features

Open door left/right

No visual door handle

Remove door complete

Easy to install

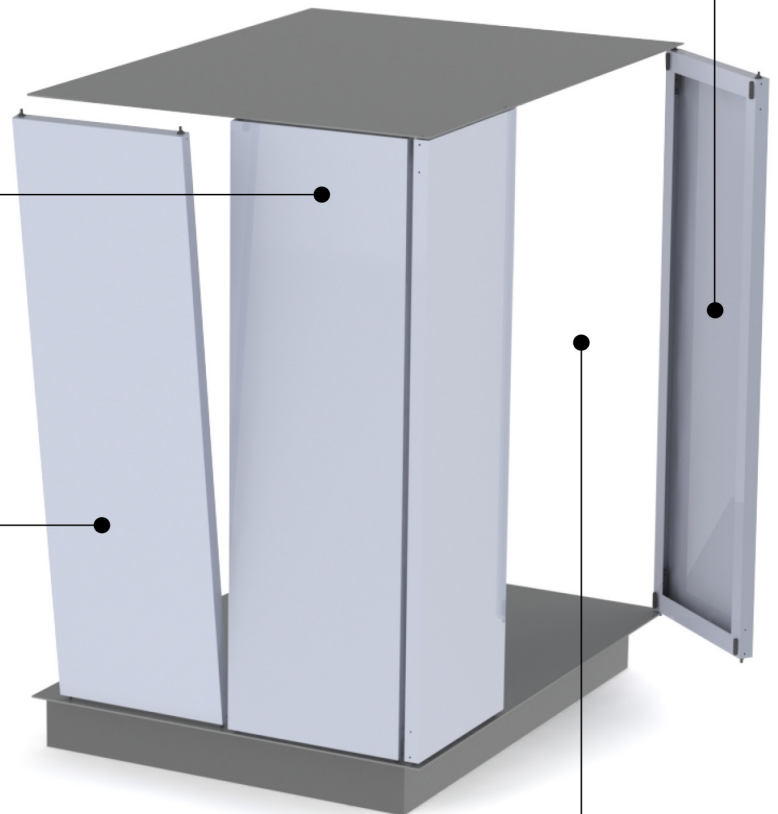
Features

Open door left/right

No visual door handle

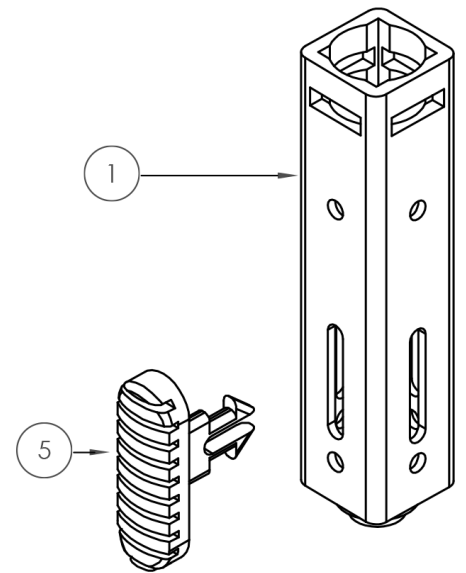
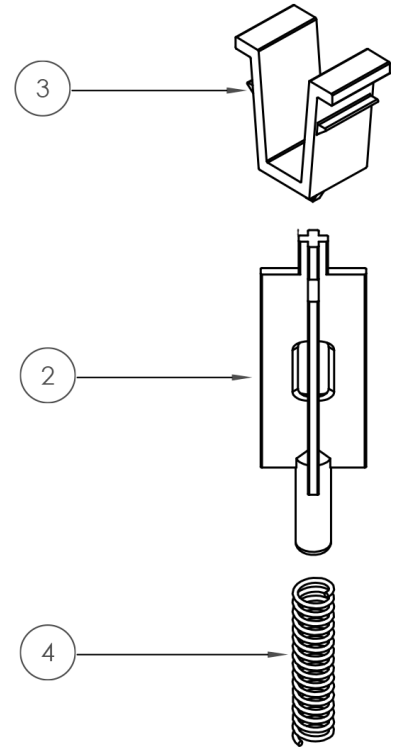
Easy to install by one person

Remove door complete



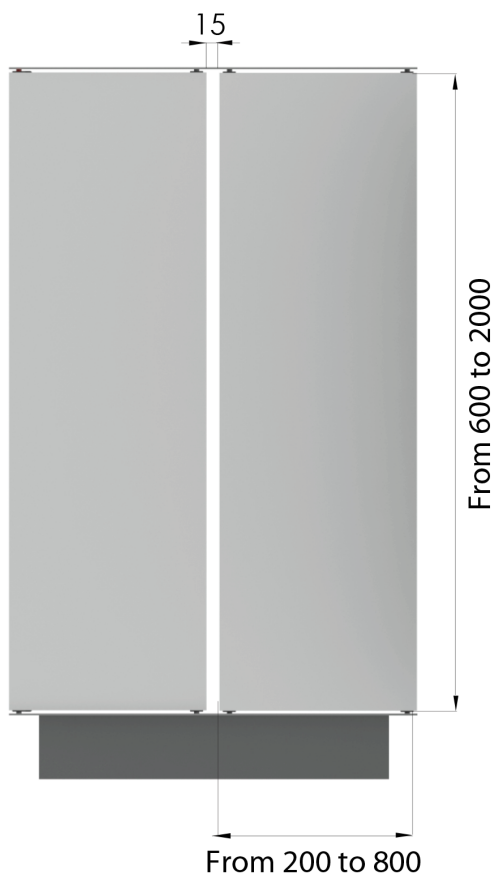
- One solution for both opening and closing and left and right side hinging
- Tool secured, high quality design according to semicon safety standards
- Easy removal of panels by one person for access during maintenance
- Quick release locking feature with custom opening tool
- Concealed system
- Flexible solution for use in different configurations and various types of enclosures
- High strength and durability
- Corrosion-resistant
- Adaptable on panels with sizes from 200 by 600 mm up to 800 mm by 2000 mm
- Material thickness: 0,8 - 1,0 mm
- Material plastic parts: POM
- Colour: black

Partlist



1	Housing	9909 001
2	Pin	9909 002
3	Springlid	
4	Spring	
5	Button	
Panel latch assembly (part 1-5)		9909 000

Panel specifications

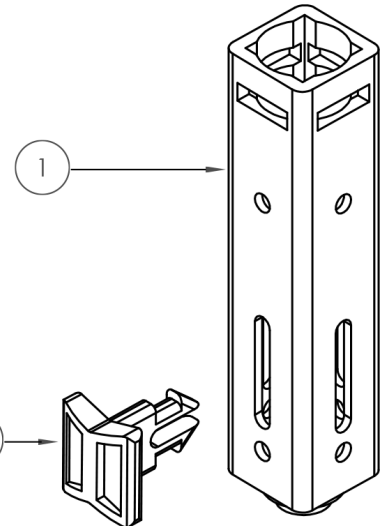
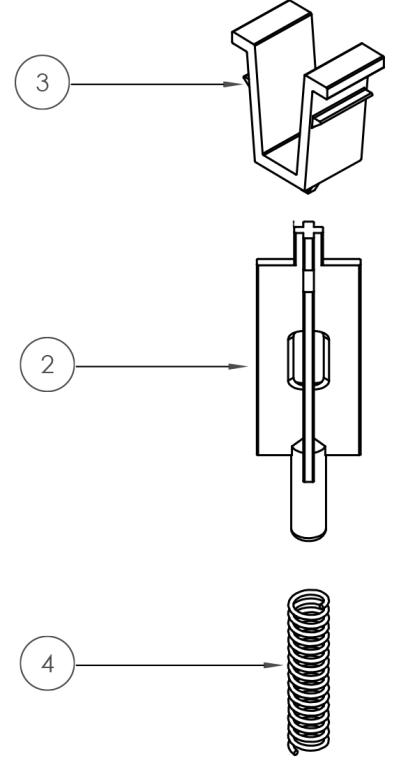
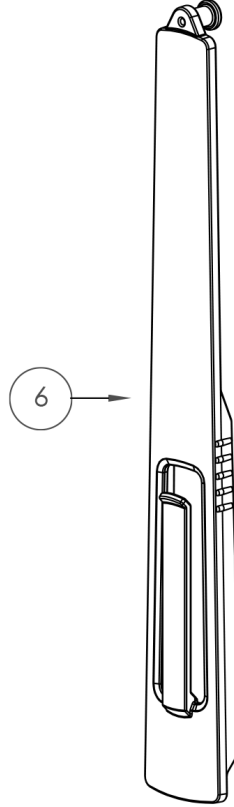
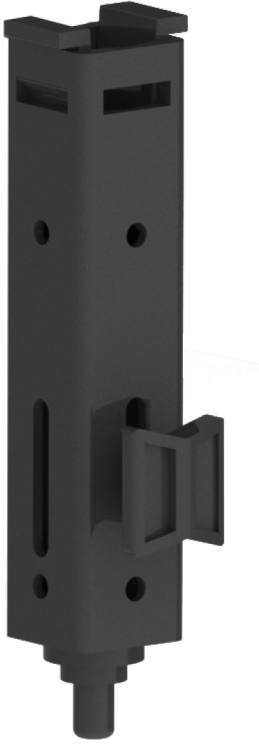


Dimensions in mm

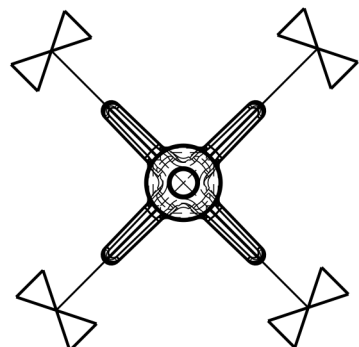
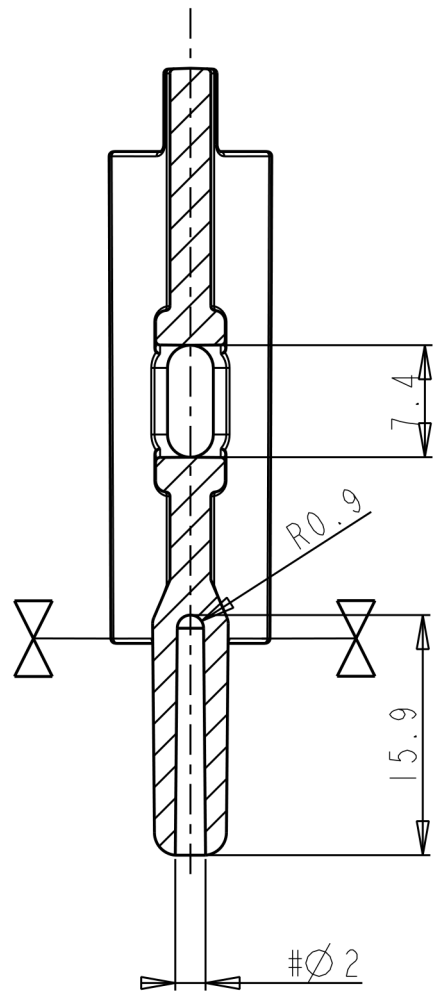
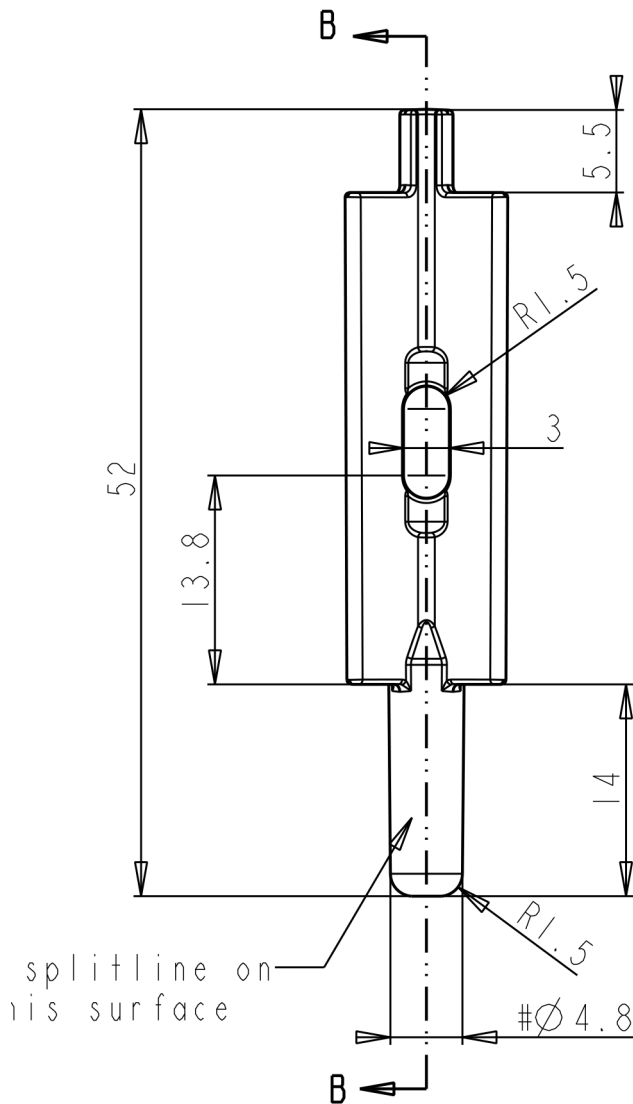
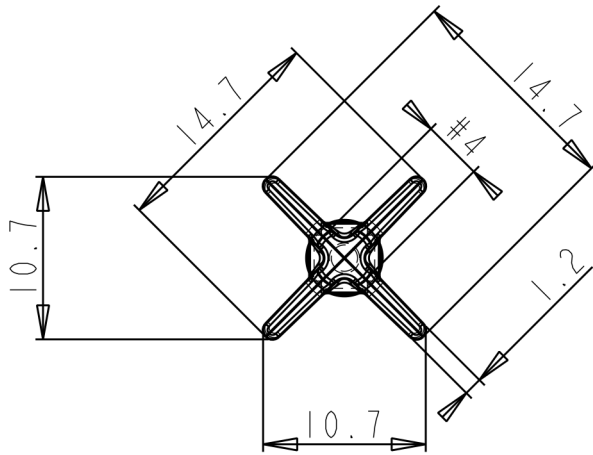
References

**ASML** **FEI™****XEIKON**

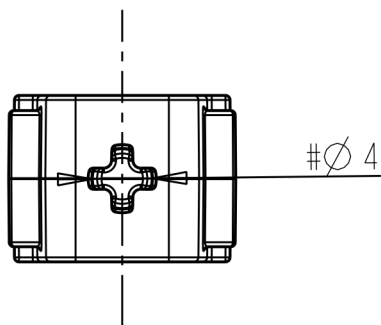
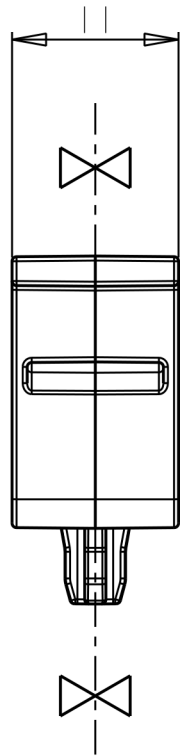
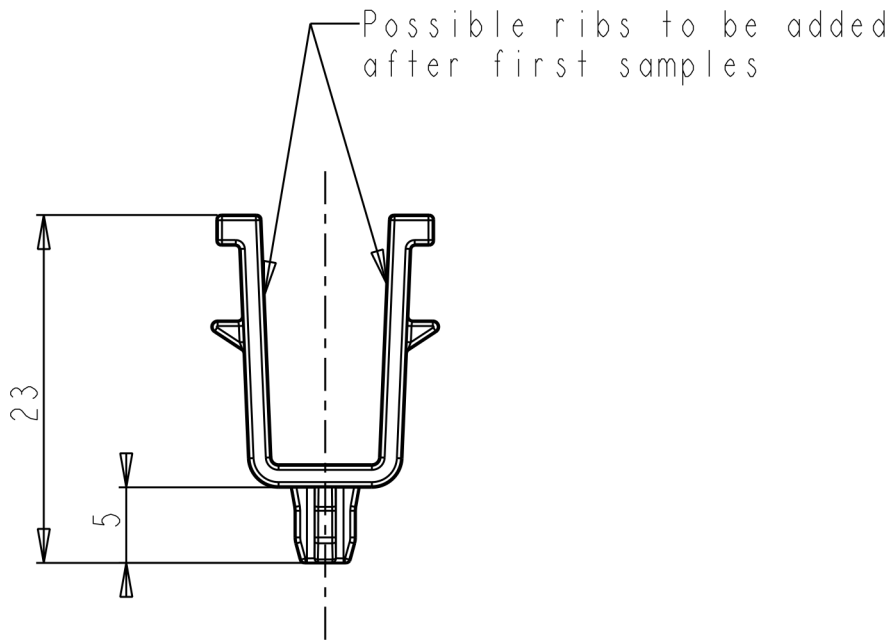
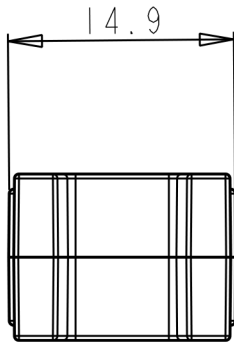
Panel specifications

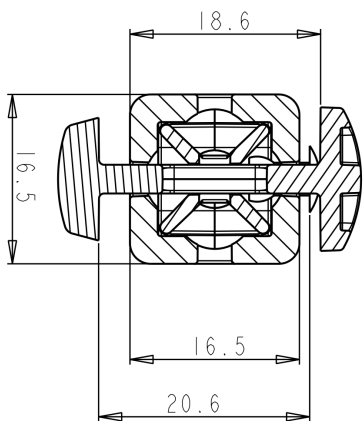
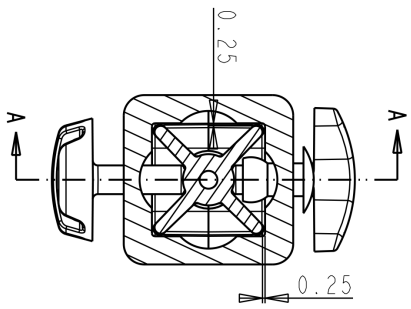
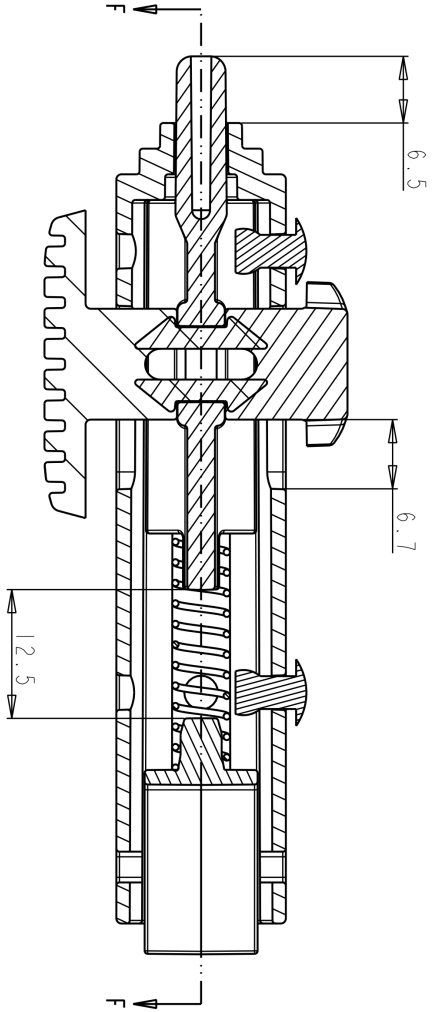
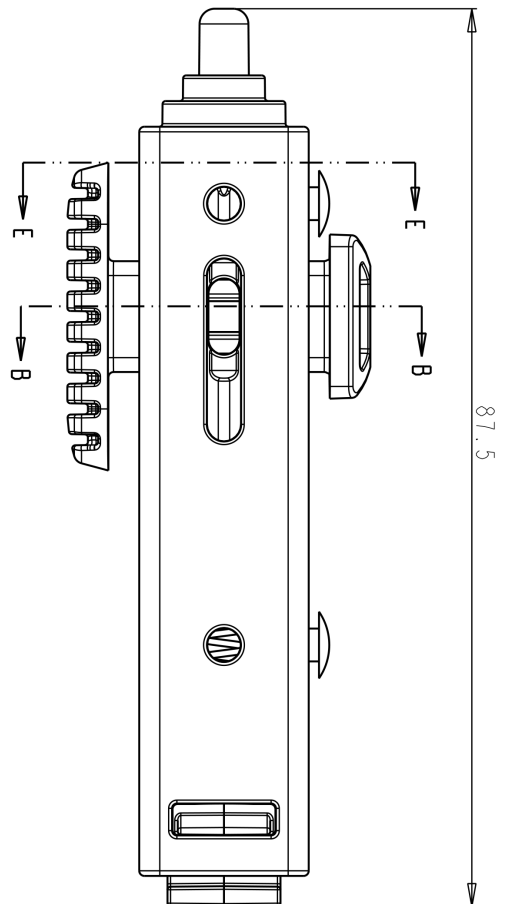
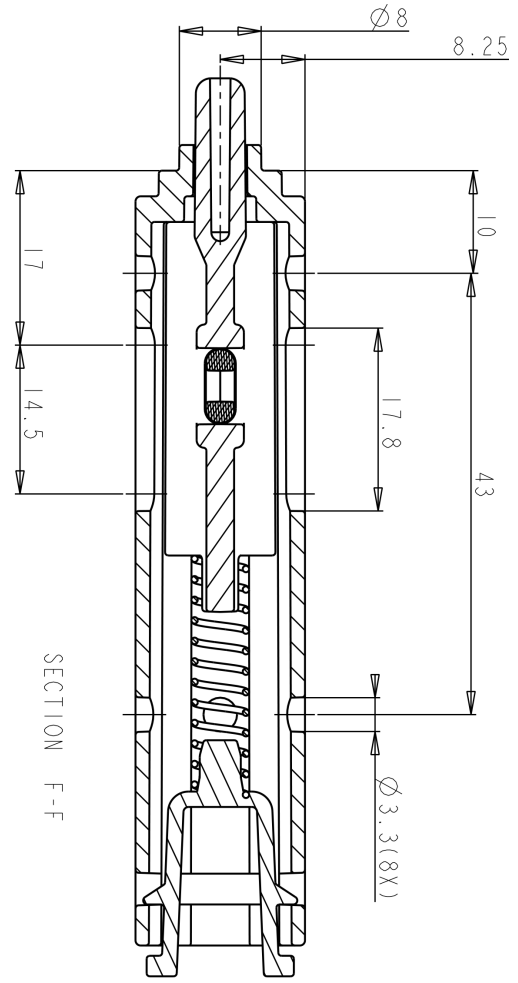


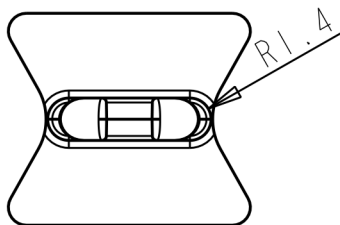
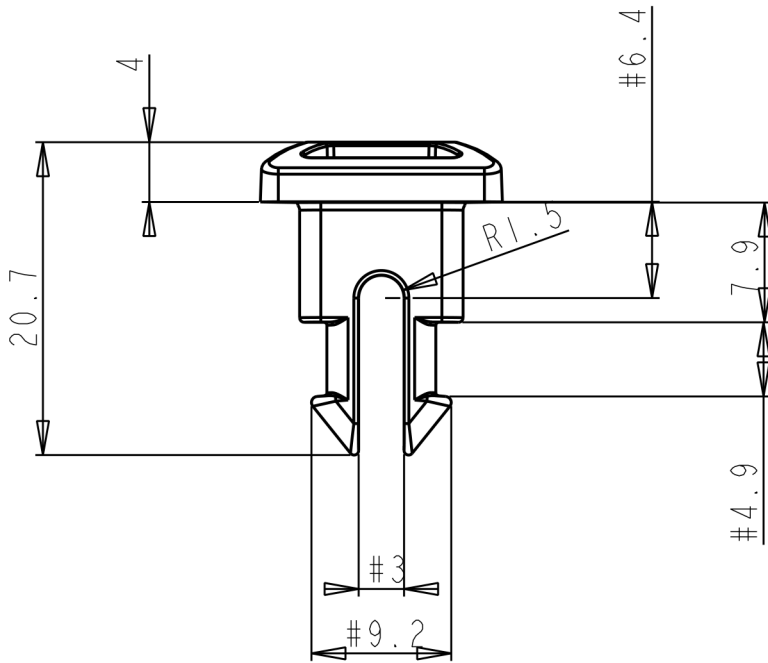
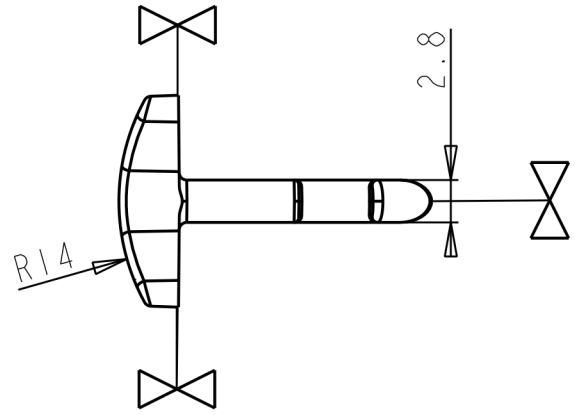
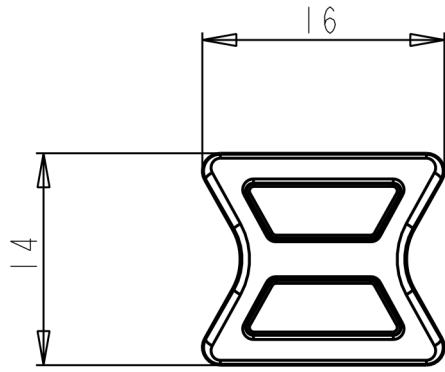
1	Housing	9909 001
2	Pin	9909 002
3	Springlid	
4	Spring	
5	Grip	
6	Opening tool	9903 001
Panel latch assembly (part 1-4)		9909 000

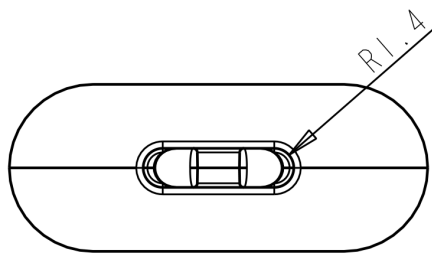
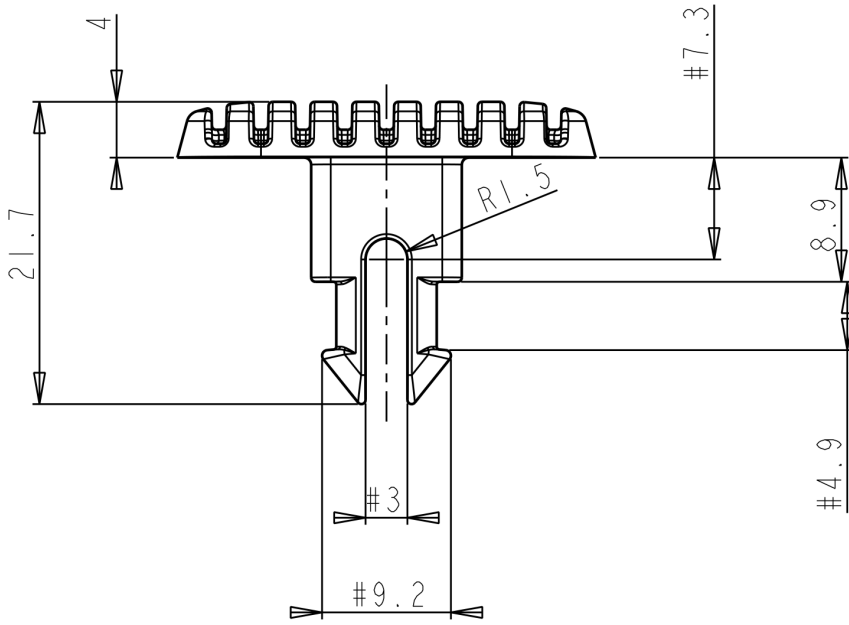
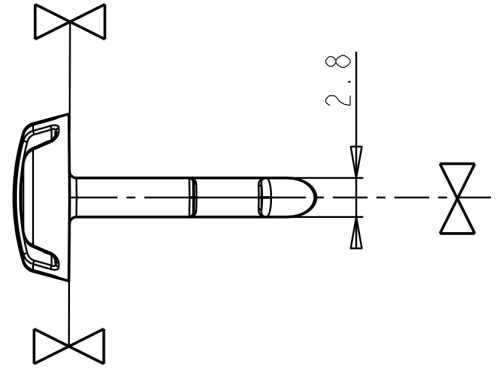
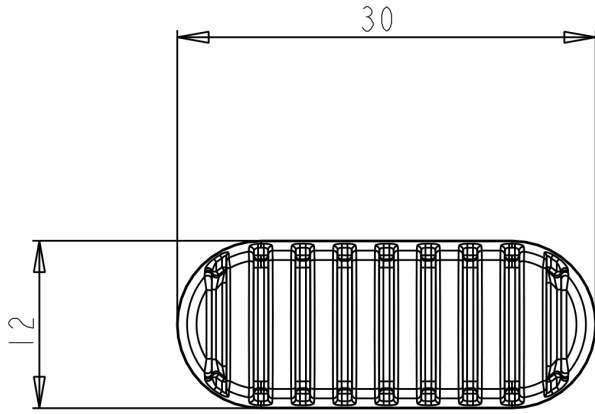


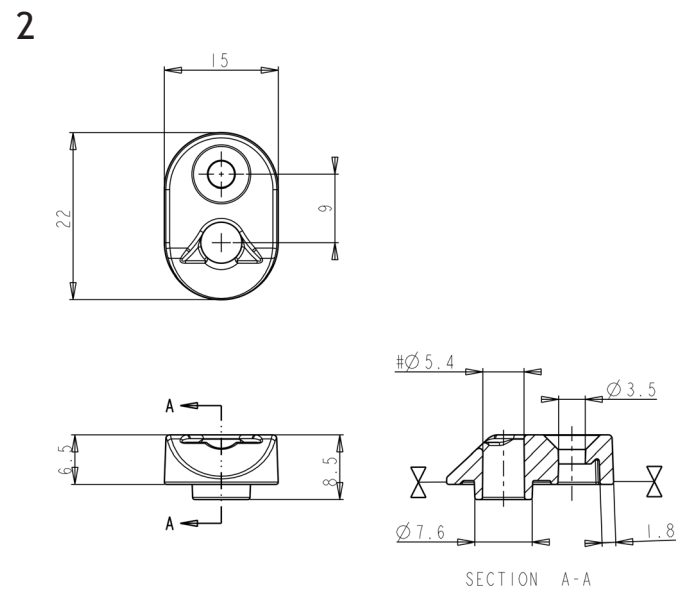
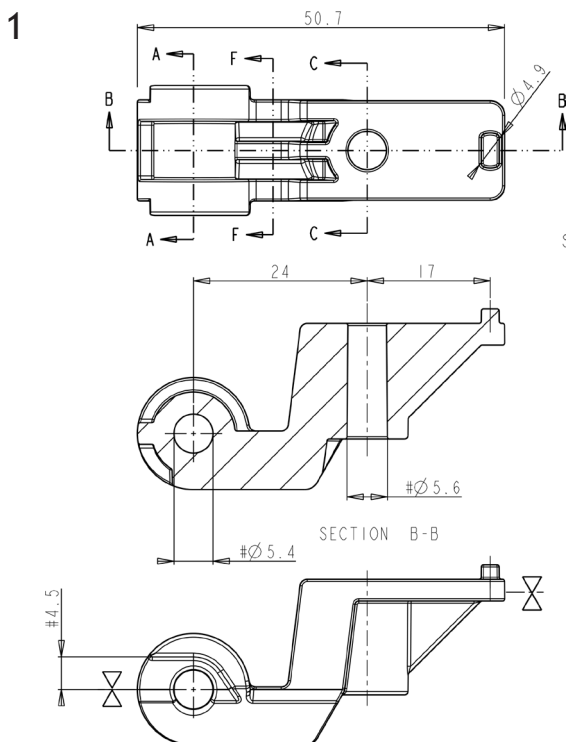
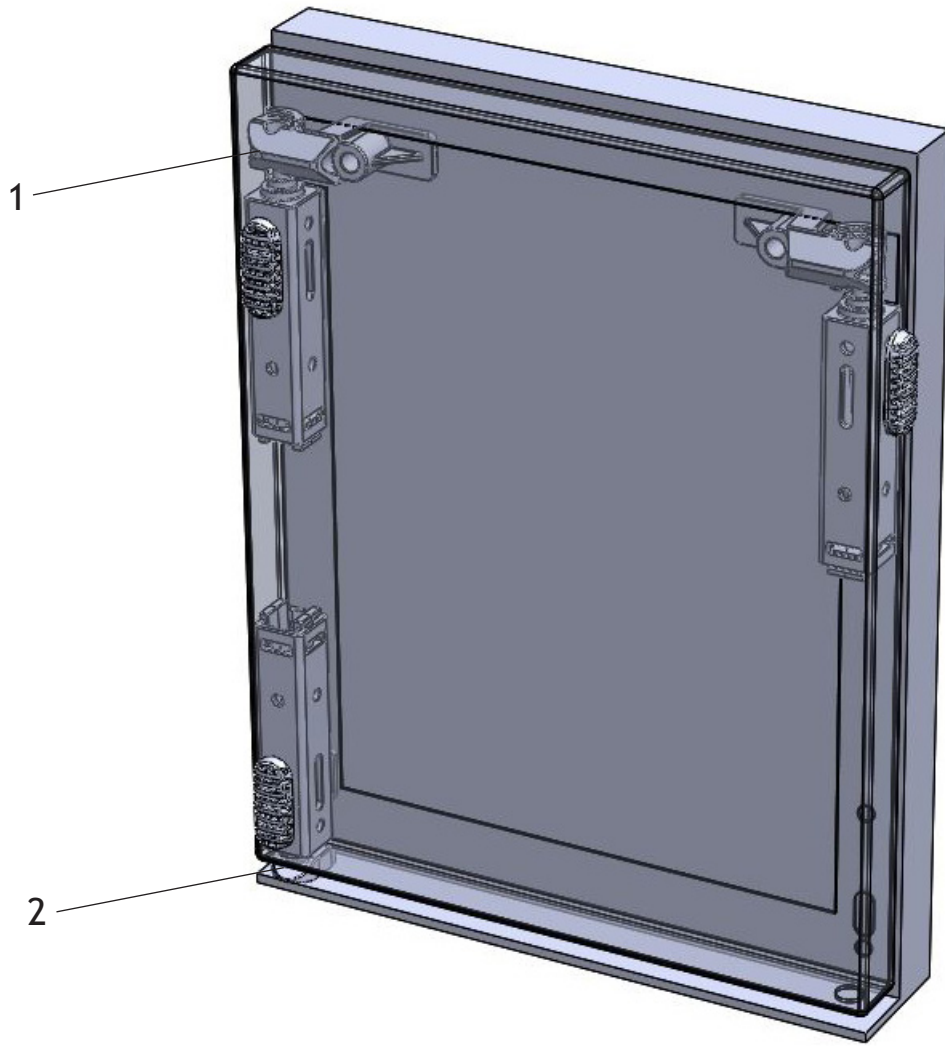
SECTION B-B











Panel latch

The smart invisible hinge for sheet metal doors



Product features

Concealed system

Easy install of panels

Left/right side hinging

Quick release locking feature

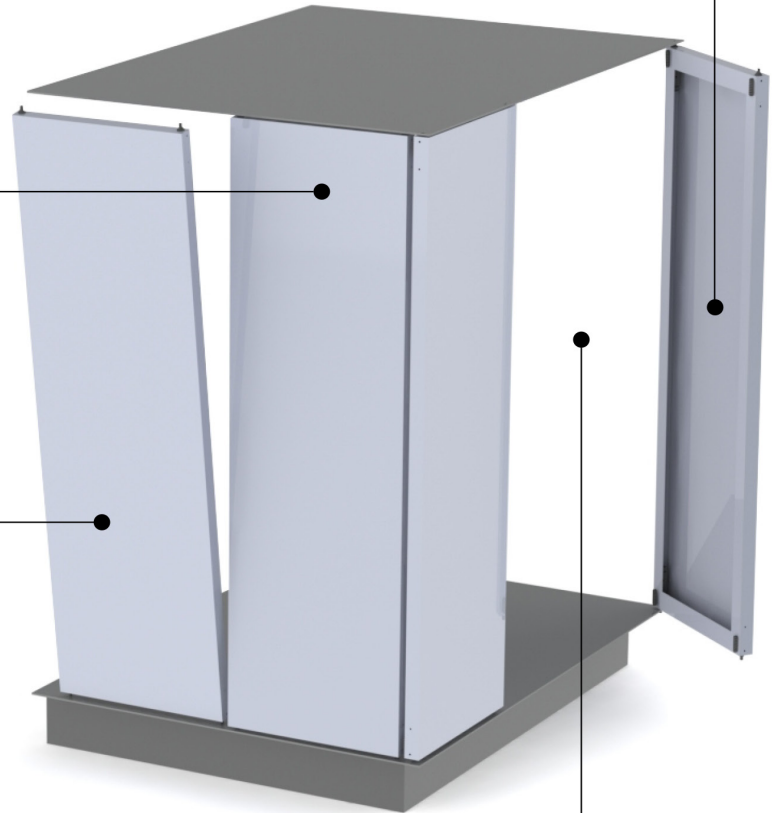
Features

Open door left/right

No visual door handle

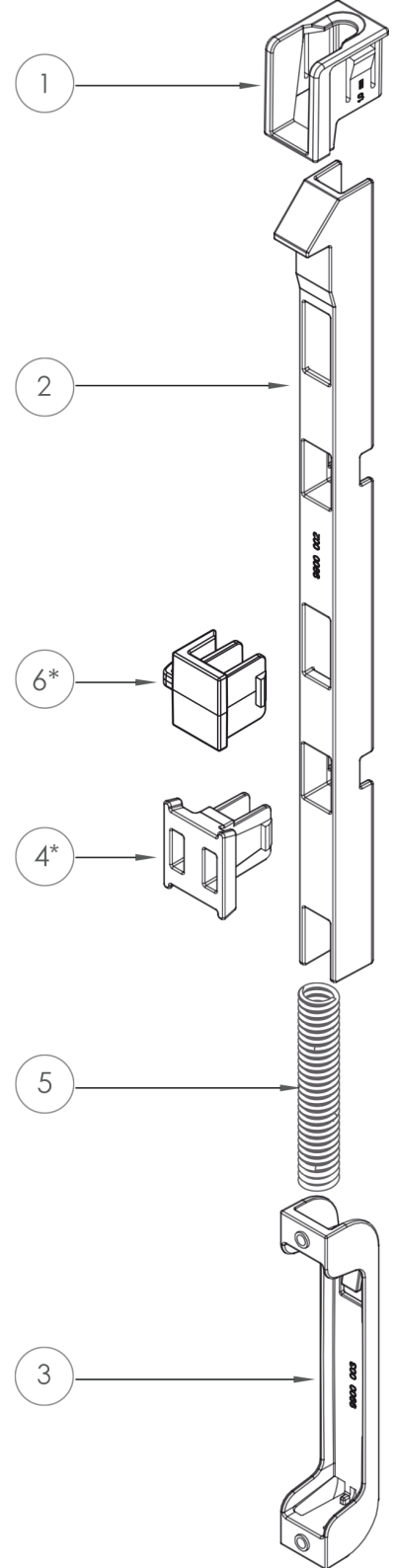
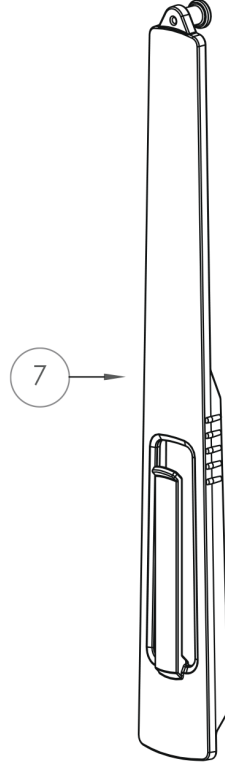
Easy to install by one person

Remove door complete



- One solution for both opening and closing and left and right side hinging
- Tool secured, high quality design according to semicon safety standards
- Easy removal of panels by one person for access during maintenance
- Quick release locking feature with custom opening tool
- Concealed system
- Flexible solution for use in different configurations and various types of enclosures
- High strength and durability
- Corrosion-resistant
- Adaptable on panels with sizes from 200 by 600 mm up to 800 mm by 2000 mm
- Material thickness: 0,8 - 1,0 mm
- Material plastic parts: POM
- Colour: black

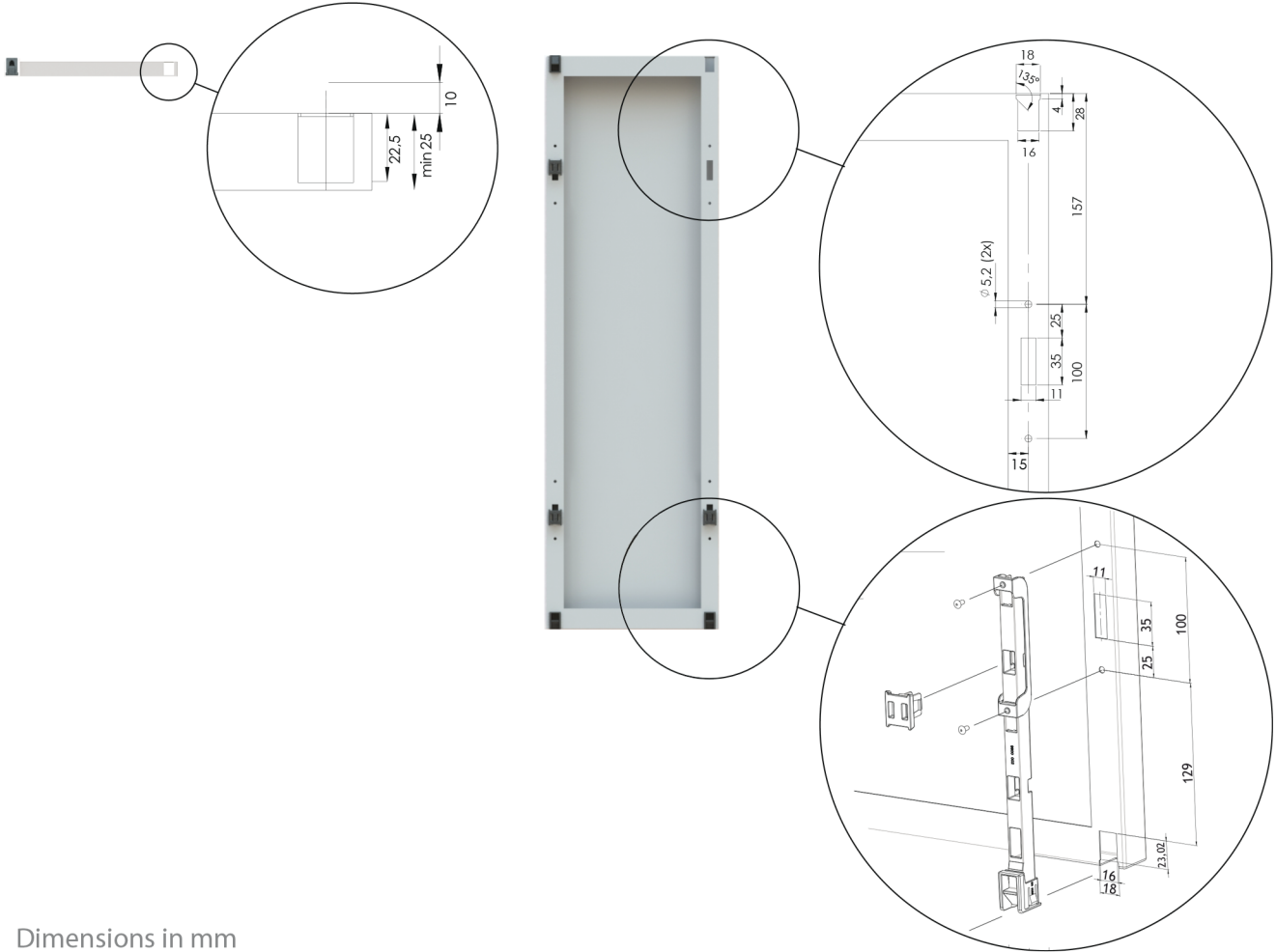
Panel specifications



1	Hinge block	9900 001
2	Slide block	9900 002
3	Spring holder	9900 003
4	Grip (tool opening)	9900 004
5	Spring	9900 007
6	Finger (manual opening)	9900 005
7	Opening tool	9903 001
	Panel latch assembly 1,2,3 and 5	9900 000

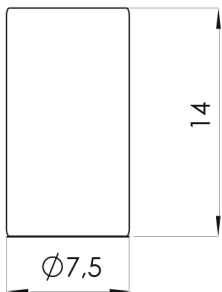
* Alternative opening option, for more information please contact Bibus

Sheet metal detailing

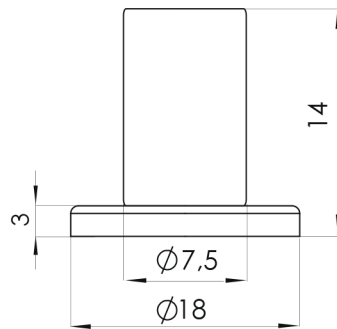


Dimensions in mm

Hinge pin specifications



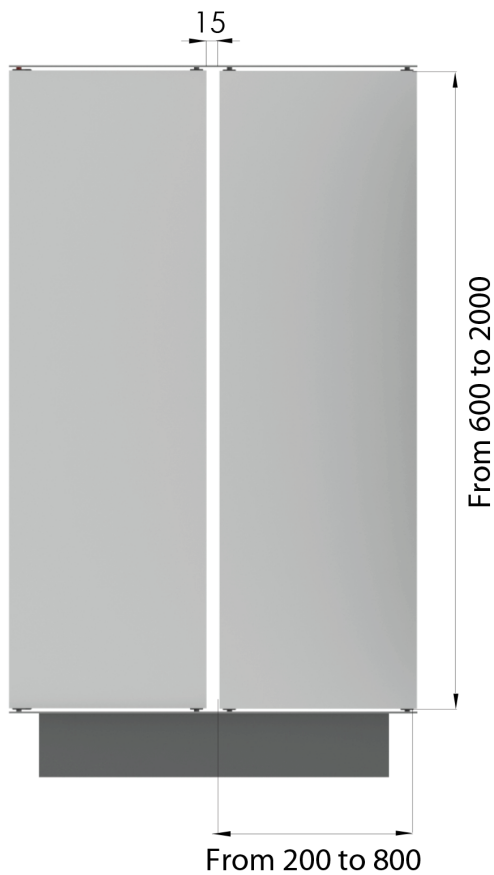
Upper hinge pin



Lower hinge pin

Dimensions in mm

Panel specifications



Dimensions in mm

References

**ASML** **FEI™****XEIKON**