

With our standard parts range you can:

connecting, defining, changing, fixing, positioning, replacing,
locking, securing, clamping, adjusting ...

HALDER

Erwin Halder KG

Erwin-Halder Straße 5-9
88480 Achstetten-Bronnen
Germany

+49 7392 7009-0
+49 7392 7009-160

www.halder.com
info@halder.com



HALDER

Production to measure:

We will find a solution for your particular problem on request.
Challenge us.

SLING SWIVEL

*soundless, stainless,
maintenance-free, safe*

Standard Parts



Workholding Systems



Aviation Products



Soft-Face Mallets

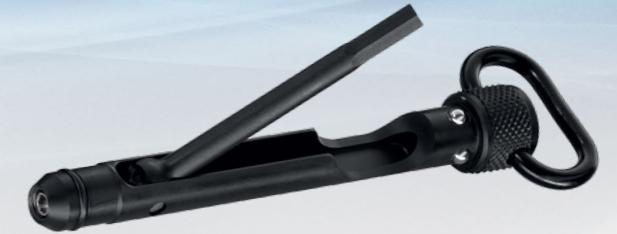


Production organization
approval in accordance
with

EASA Part 21G



EN/1.000/03.16



www.halder.com

Sling Swivels

EH 22330.

Product description

Parts can be connected fast and easy with the sling swivel in combination with the sling swivel ports. The interlock of the sling swivel is based on the principle of a ball lock pin. As a robust tool, the item is made from stainless steel. There is an uncoated variant available in addition to the black chromated standard version. The sling swivel is maintenance-free, soundless and secured against loss.

Material

- Pin**
- Stainless steel 1.4305, black chromated
 - Stainless steel 1.4305

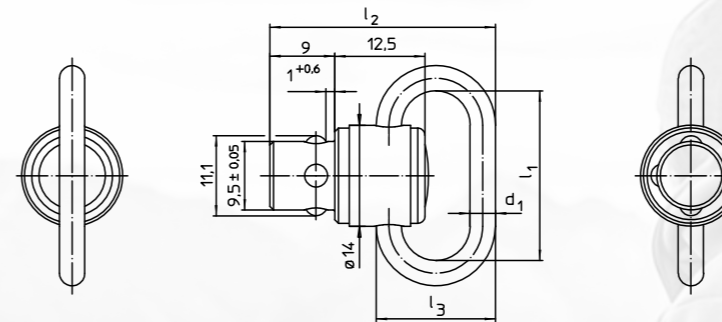
Spring

- Stainless Steel

Operation

By pressing the button, the balls are unlocked.

Dimensional drawing



Order information

Nominal dimension	l ₁	d ₁	l ₂	l ₃	Load Capacity max.	Temperature		Weight	Art. No.	
						min.	max.		Stainless Steel 1.4305, black	Stainless Steel 1.4305
[mm]	[mm]	[mm]	[mm]	[mm]	[kN]	[°C]		[g]		
9,5	23	3,5	31,3	16,5	1,2	-50	150	20	22330.0010	22330.0110
	40	4,5	36,6	23,0	2,0	-50	150	29	22330.0020	22330.0120

Sling Swivel Ports

EH 22330.

Product description

The sling swivel ports are made from stainless steel. There are two versions available that can be mounted into wood (picture 1 and picture 3) and one version that can be mounted into plastic (picture 2). Both ports in picture 1 and picture 2 allow an interlock of 4x90°. The port in picture 3 enables a 360° rotation in the locked state. There is an uncoated variant available in addition to the black chromated standard version.

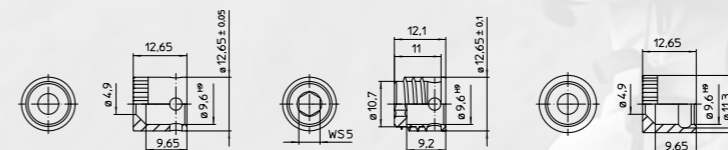
Material

- Pin**
- Stainless steel 1.4305, black chromated
 - Stainless steel 1.4305

Spring

- Stainless steel

Dimensional drawing



picture 1

picture 2

picture 3

Order information

Finish	Location hole	Nominal dimension	Temperature		Weight	Art. No.		
			min.	max.		Stainless Steel 1.4305, black	Stainless Steel 1.4305	
	[mm]	[mm]	[°C]		[g]			
Mounting in wood	(picture 1)	9,6	12,65	-50	150	5,6	22330.0205	22330.0305
Mounting in plastic	(picture 2)	9,6	12,65	-50	150	3,0	22330.0210	22330.0310
Mounting in wood, 360° function	(picture 3)	9,6	13,50	-50	150	6,5	22330.0215	22330.0315