



Circular connector M12 4-pin with coupling ring, die-cast zinc

Product characteristics

- Good resistance to chemicals and oil
- High protection class and high temperature range to meet the demands of adverse industrial environments
- Suitable for all sensors and float switches with appropriate connection

Technical drawing

IMAGE 1/3

K14.00.

female M12

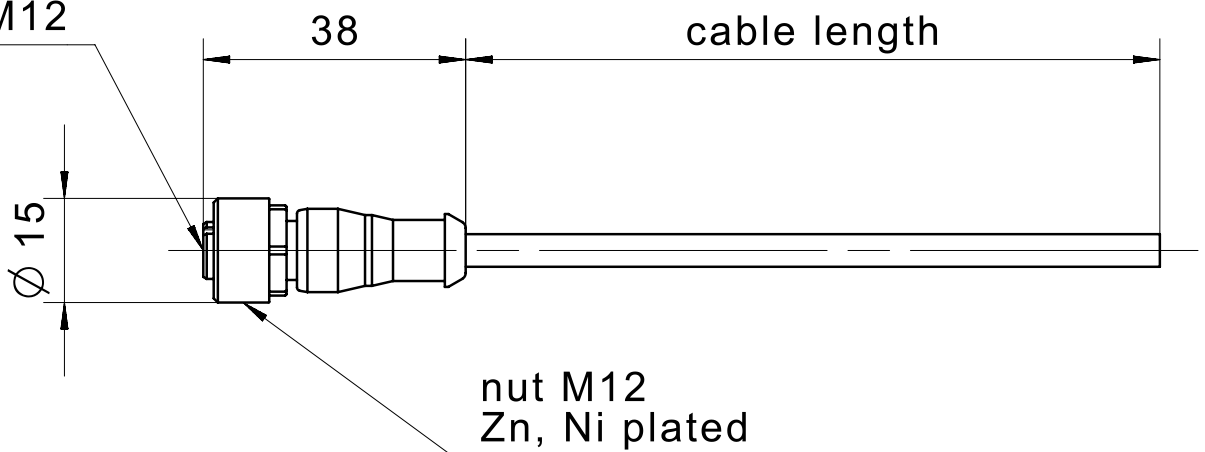


IMAGE 2/3

female M12

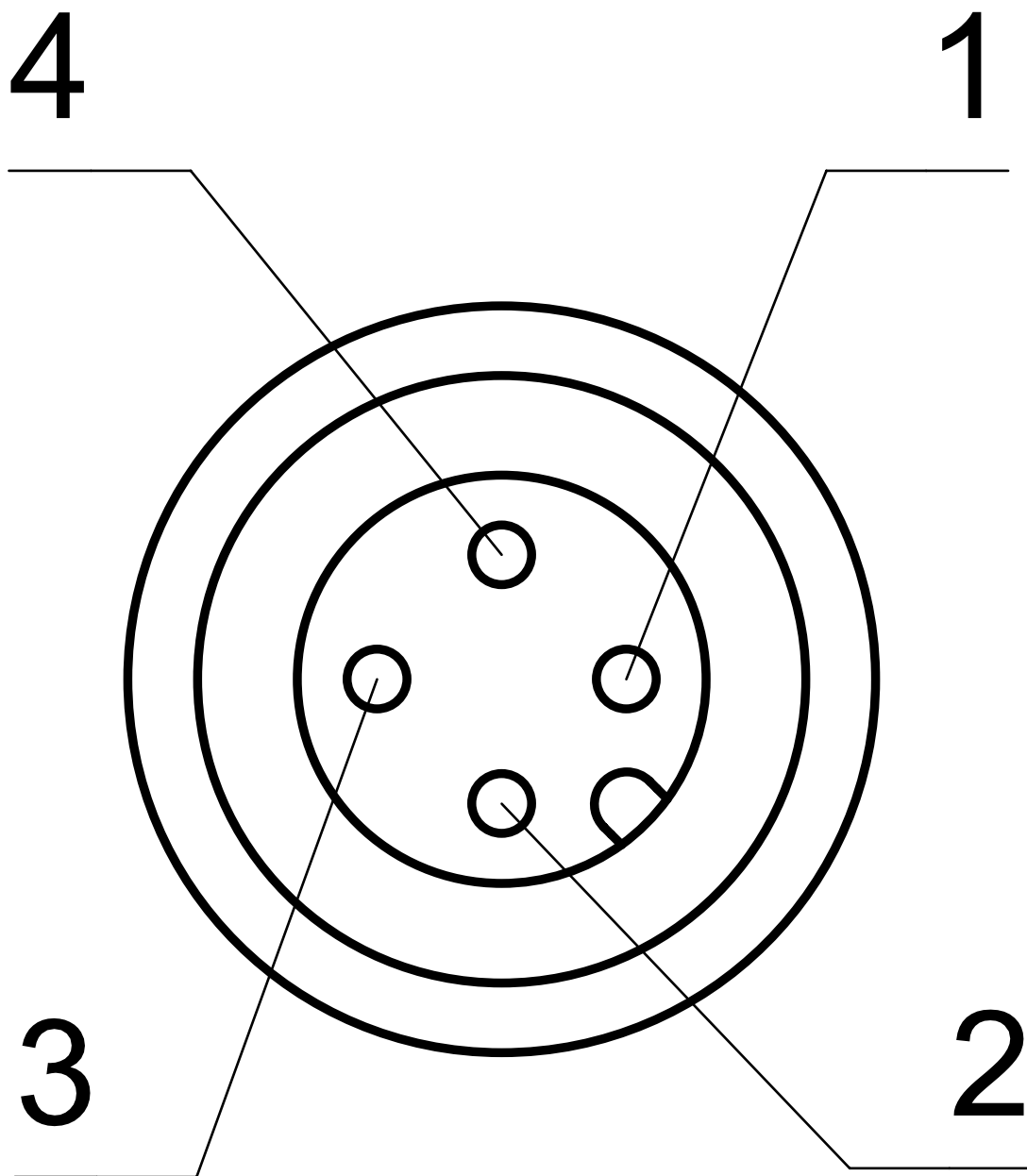


IMAGE 3/3

1) ————— **BN**

2) ————— **WH**

3) ————— **BU**

4) ————— **BK**

Product options

IMAGE 1/1

ORDERING KEY

Circular connector M12 4-pin with coupling ring, die-cast zinc		
K1	4G	Sheath material PVC, black, 4-pin
	4H	Sheath material PUR, black, 4-pin
	001	Cable length 1m ± 30mm
	003	Cable length 3m ± 40mm
	005	Cable length 5m ± 60mm
	000	Cable length 10m ± 80mm
		Other cable materials and cable lengths on request