



Circular connector M12 4-pin/5-pin/8-pin with coupling ring, plastic

Product characteristics

- Good resistance to chemicals and oil
- ECOLAB approval
- High protection class and high temperature range to meet the demands of adverse industrial environments
- Suitable for all sensors and float switches with appropriate connection

Technical drawing

IMAGE 1/9

K14.00.K

female M12

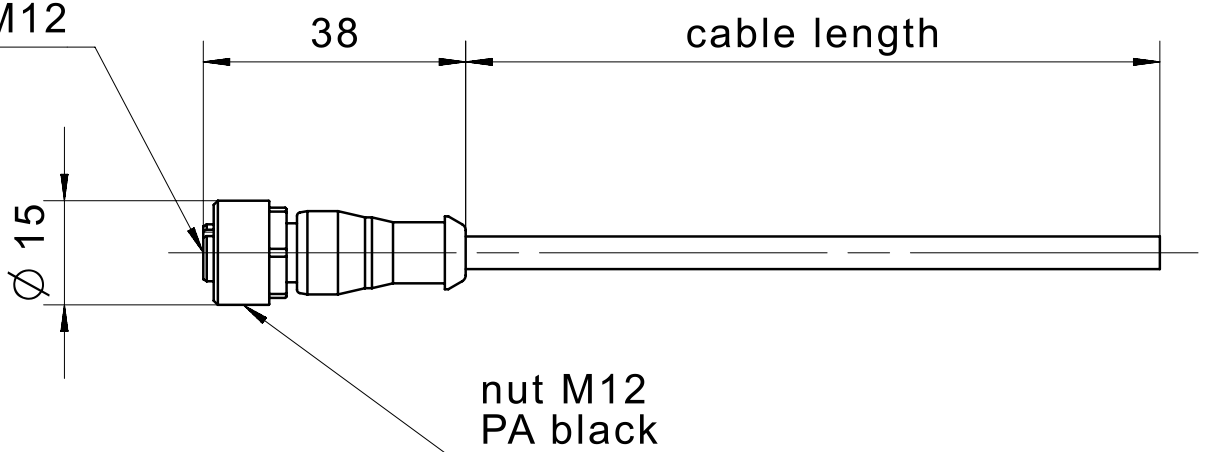


IMAGE 2/9

female M12

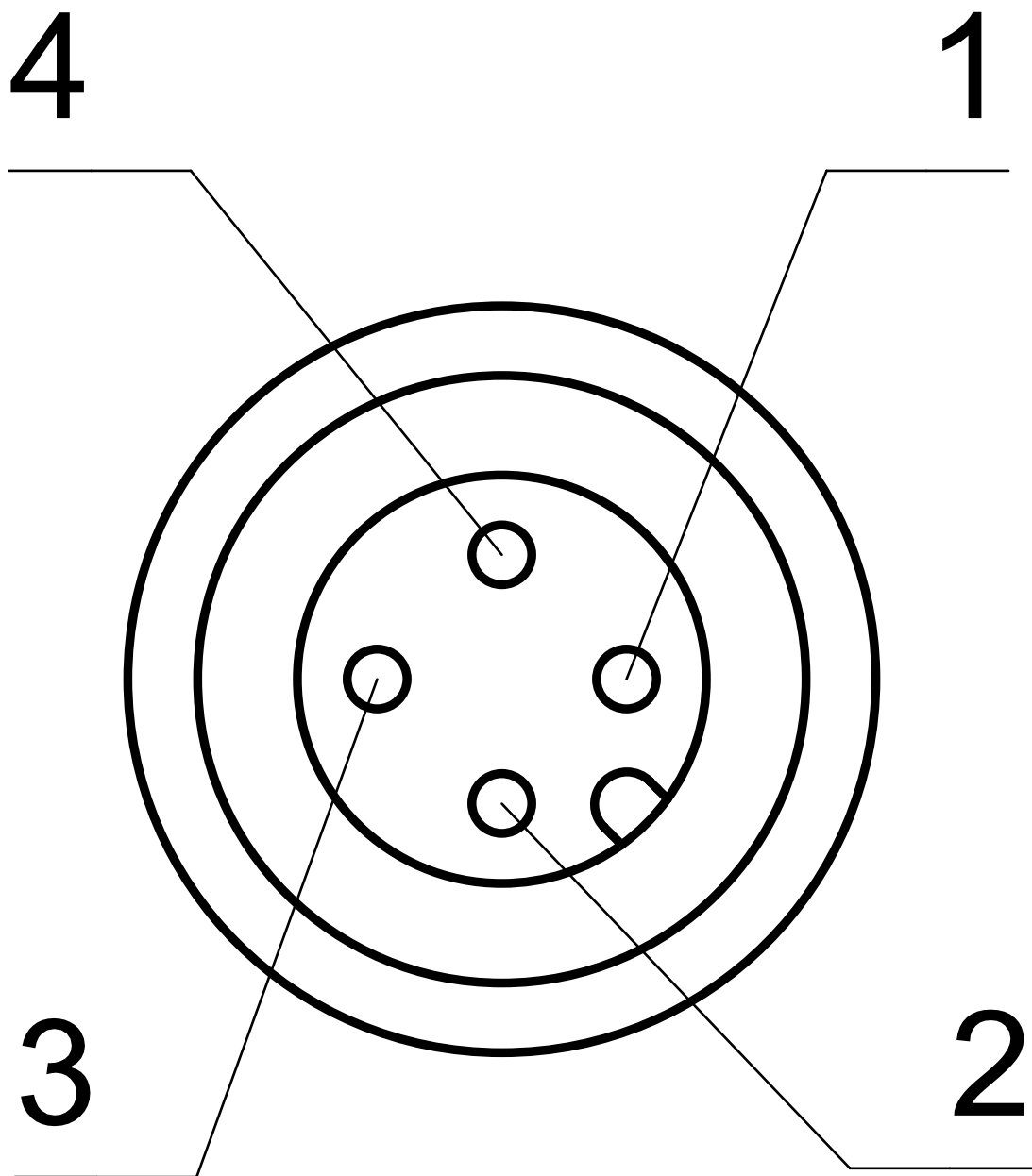


IMAGE 3/9

1) ————— **BN**

2) ————— **WH**

3) ————— **BU**

4) ————— **BK**

IMAGE 4/9

K16.00.K

female M12

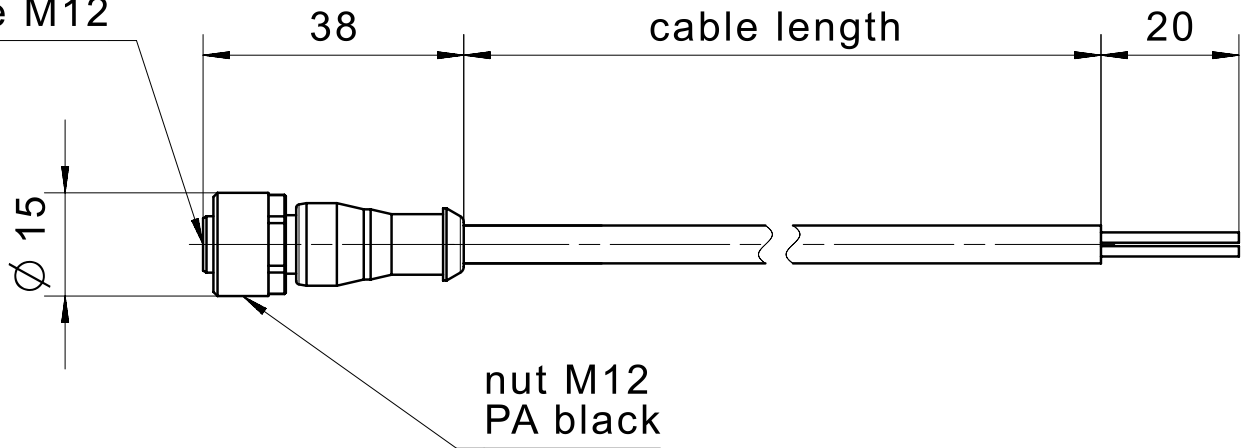


IMAGE 5/9

female M12

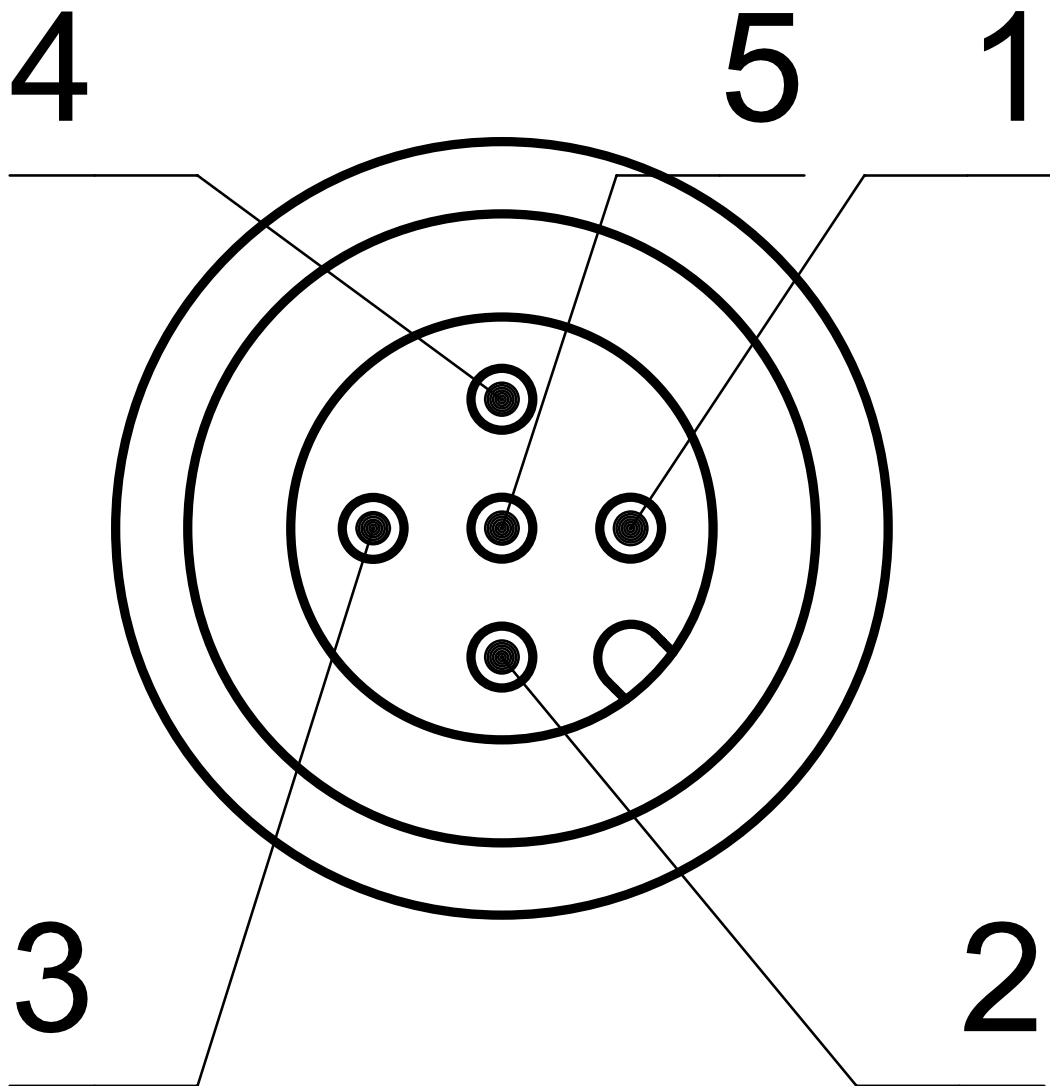


IMAGE 6/9

1) _____ **BN**

2) _____ **WH**

3) _____ **BU**

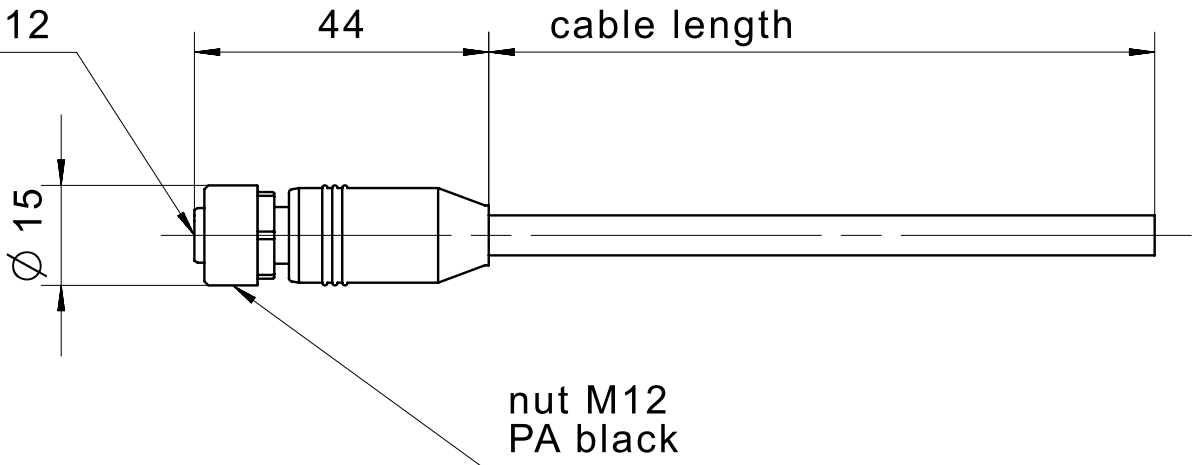
4) _____ **BK**

5) _____ **GY**

IMAGE 7/9

K18.00.K

female M12



nut M12
PA black

IMAGE 8/9

female M12

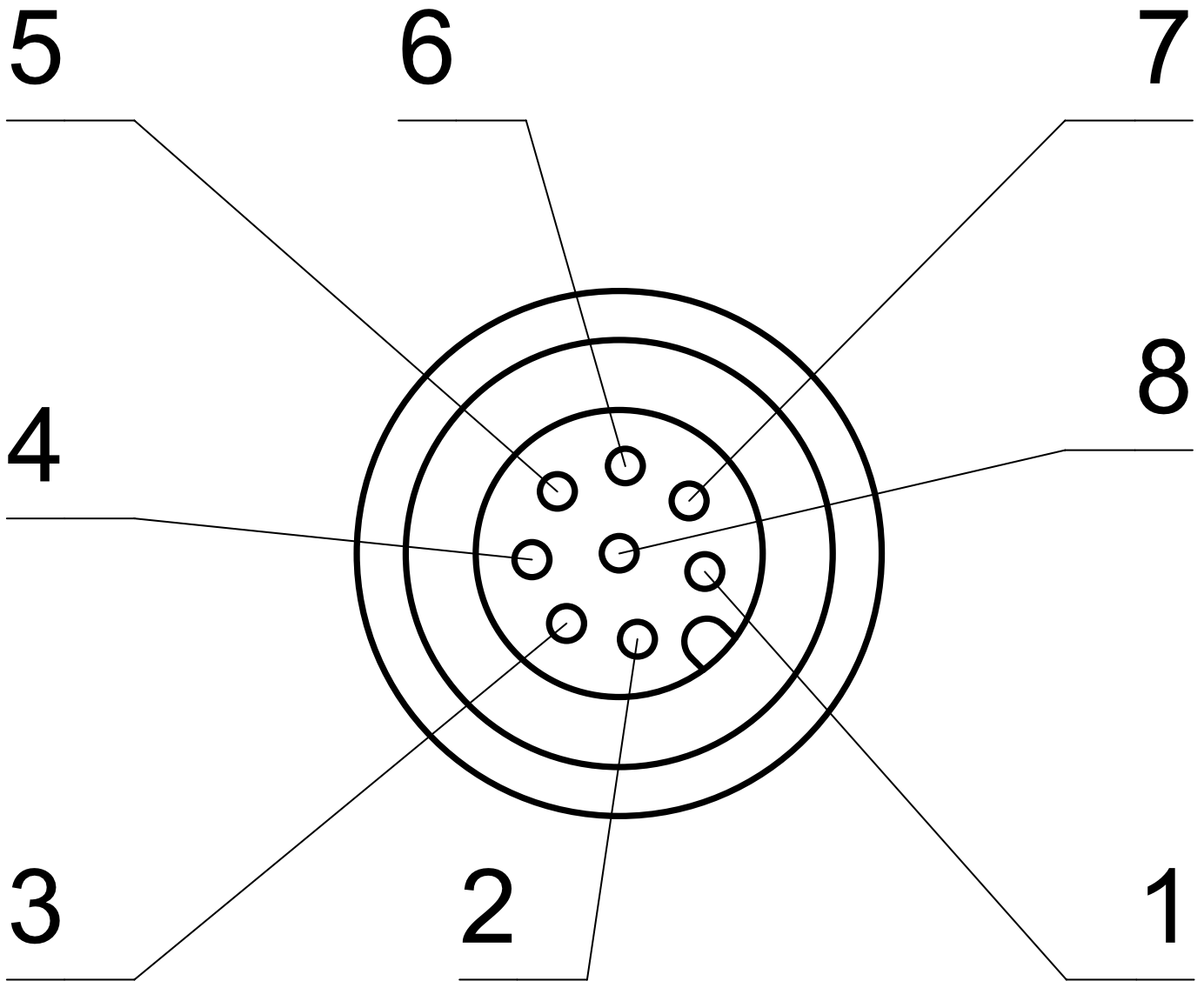


IMAGE 9/9

1) ————— **BN**

2) ————— **WH**

3) ————— **BU**

4) ————— **BK**

5) ————— **GY**

6) ————— **PK**

7) ————— **VT**

8) ————— **OG**

Product options

IMAGE 1/1

ORDERING KEY

K1			Circular connector M12 4-pin/5-pin/8-pin with coupling ring, plastic
	4G		Sheath material PVC, black, 4-pin
	6G		Sheath material PVC, black, 5-pin
	6H		Sheath material PUR, black, 5-pin
	8G		Sheath material PVC, black, 8-pin
		001K	Cable length 1m ± 30mm
		003K	Cable length 3m ± 40mm
		005K	Cable length 5m ± 60mm
		000K	Cable length 10m ± 80mm
			Other cable materials and cable lengths on request