



Circular connector M12 4-pin/5-pin, angled, with coupling ring, plastic

Product characteristics

- Good resistance to chemicals and oil
- ECOLAB approval
- High protection class and high temperature range to meet the demands of adverse industrial environments
- Suitable for all sensors and float switches with appropriate connection

Technical drawing

IMAGE 1/6

K15.00.

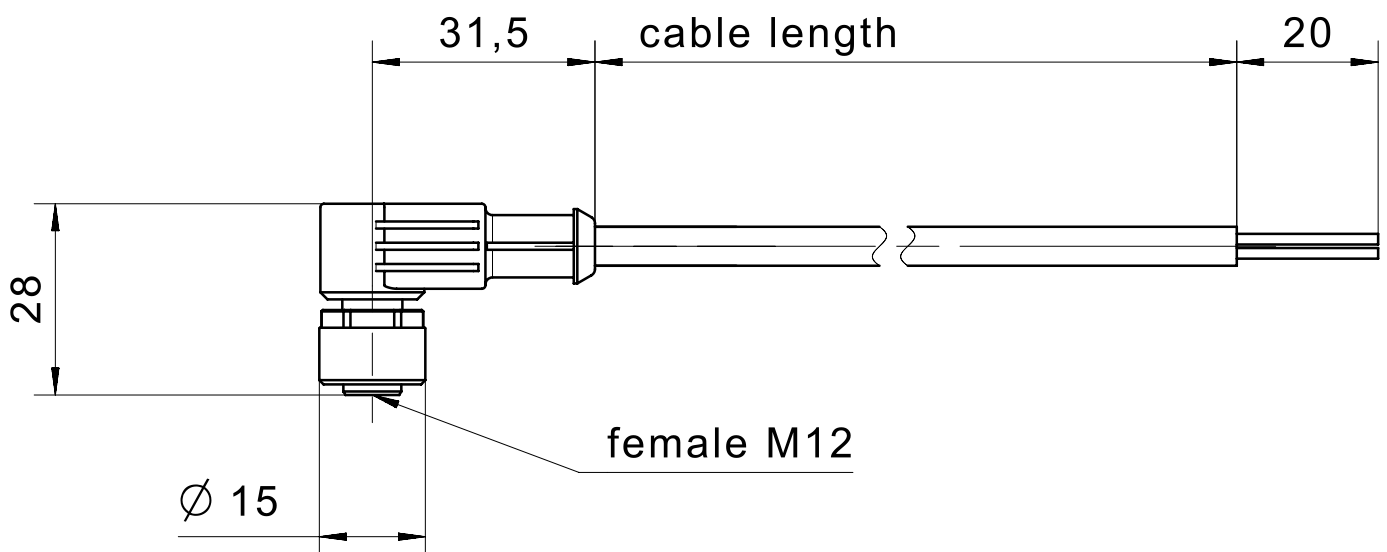


IMAGE 2/6

female M12

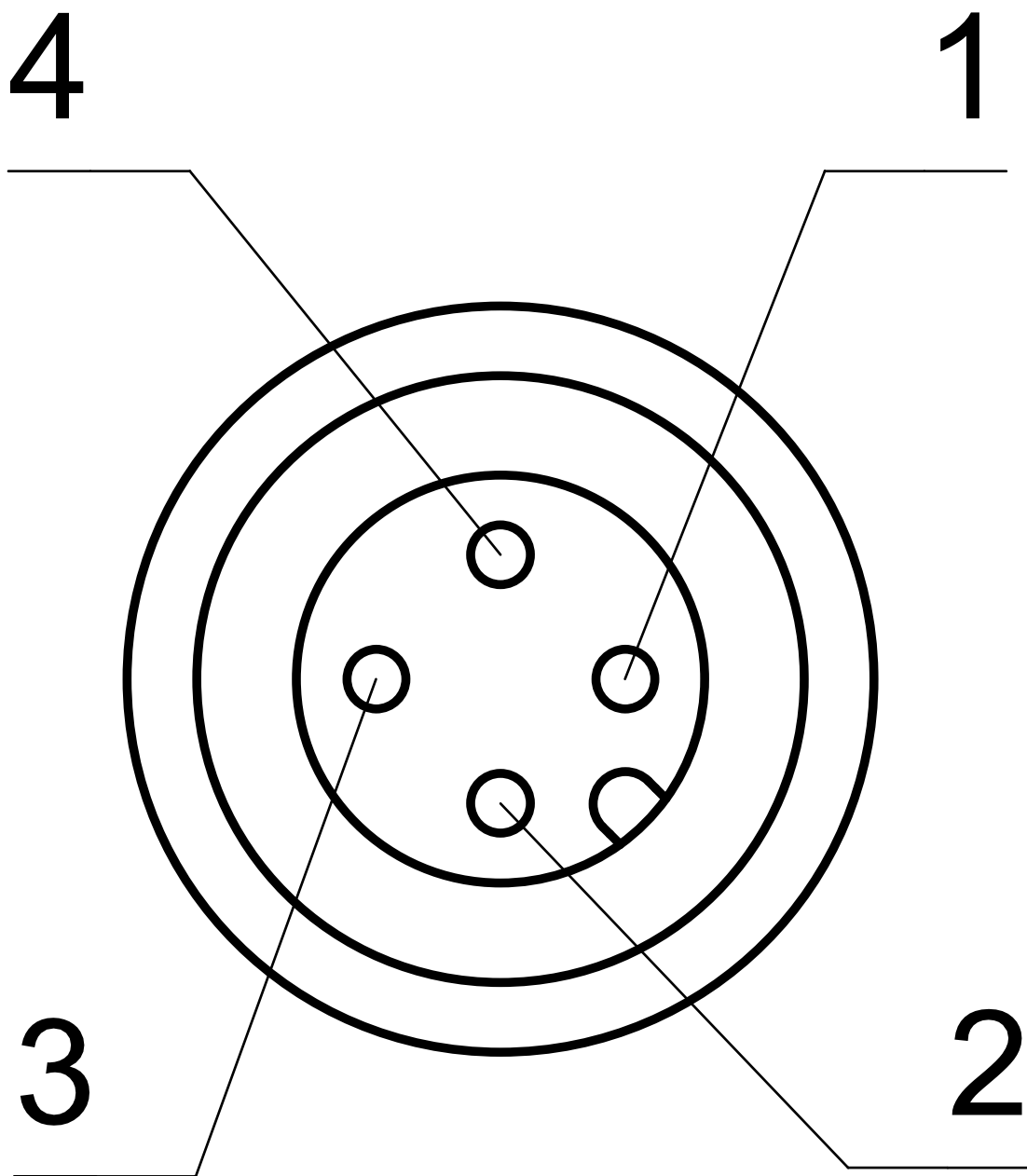


IMAGE 3/6

1) _____ **BN**

2) _____ **WH**

3) _____ **BU**

4) _____ **BK**

IMAGE 4/6

K17.00.

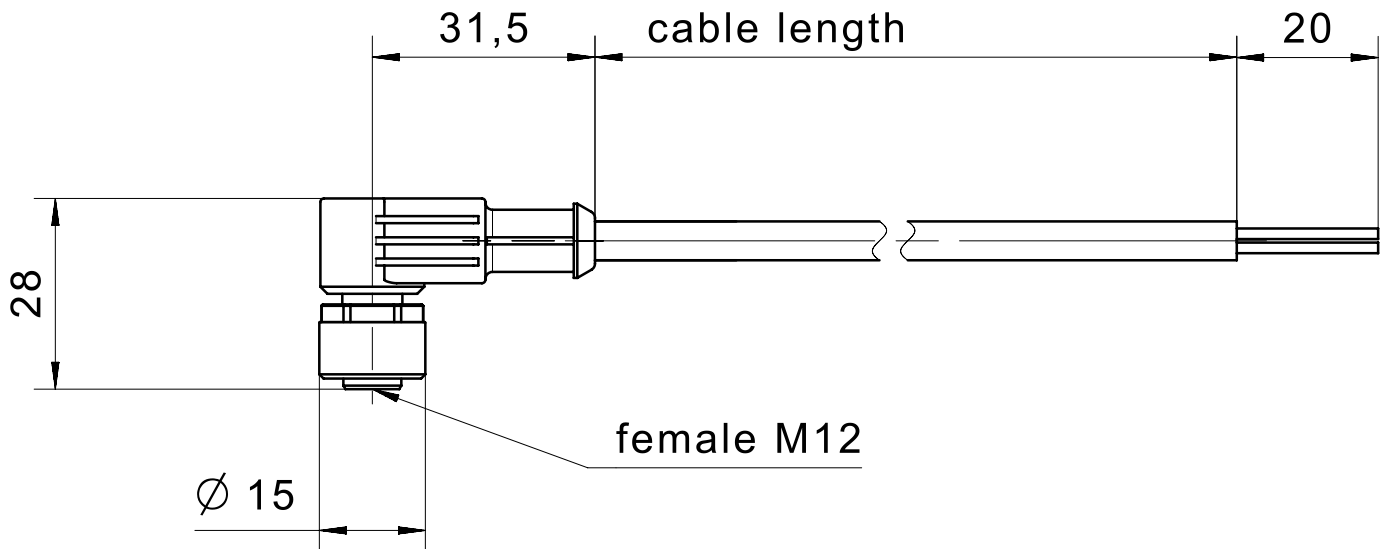


IMAGE 5/6

female M12

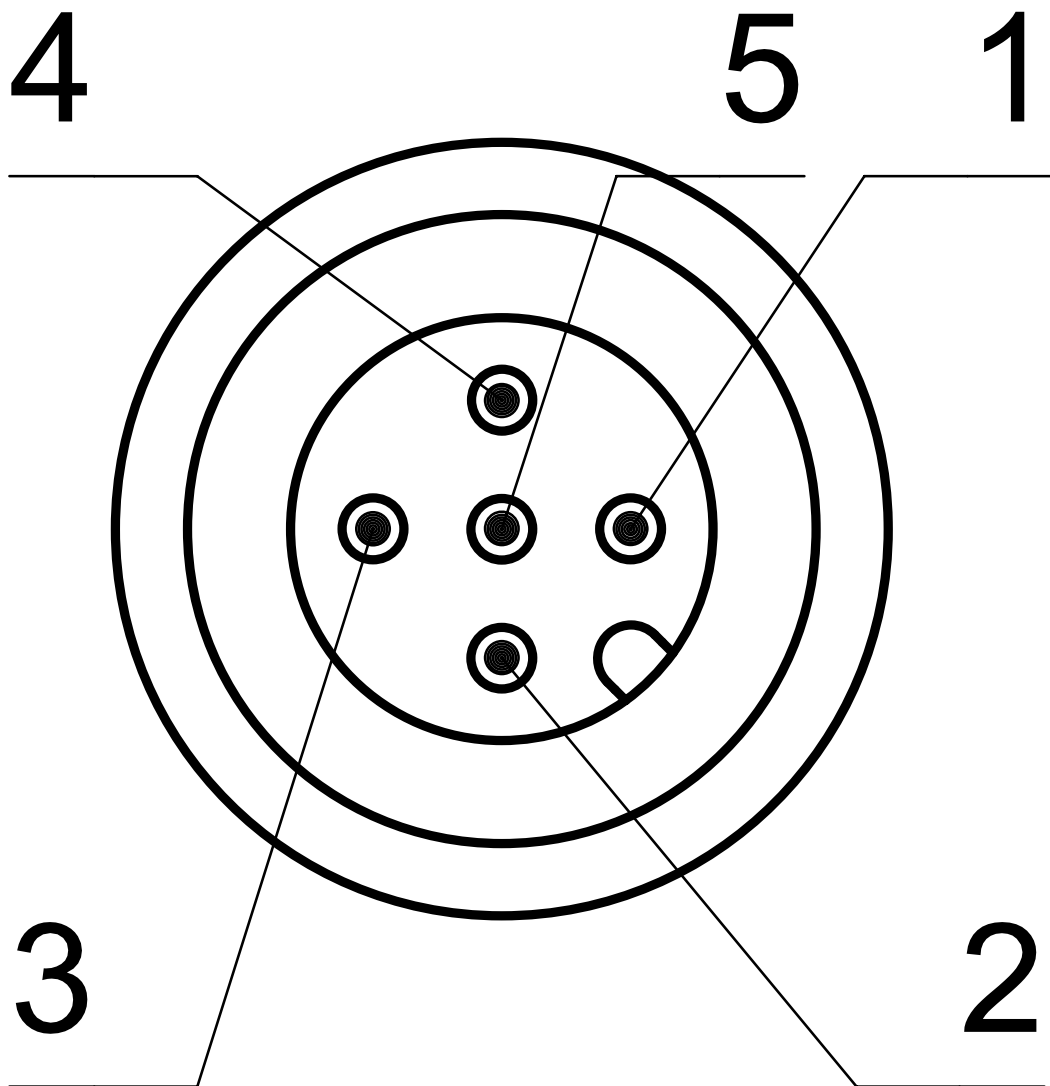


IMAGE 6/6

1) _____ **BN**

2) _____ **WH**

3) _____ **BU**

4) _____ **BK**

5) _____ **GY**

Product options

IMAGE 1/1

ORDERING KEY

K1			Circular connector M12 4-pin/5-pin, angled, with coupling ring, plastic
	5G		Sheath material PVC, black, 4-pin
	5H		Sheath material PUR, black, 4-pin
	7G		Sheath material PVC, black, 5-pin
	7H		Sheath material PUR, black, 5-pin
		001K	Cable length 1m ± 30mm
		003K	Cable length 3m ± 40mm
		005K	Cable length 5m ± 60mm
		000K	Cable length 10m ± 80mm
			Other cable materials and cable lengths on request