

## Miniature float switch 2030.0

elobau miniature float switch 2030.0 with G 1/8 thread is frequently used for level detection in tank monitoring, pump controls and in cleaning containers of medical applications.

At elobau, you set the standard. The miniature float switch can be fully customised using our online configurator.

### Product characteristics

- Level measurement on reed-contact basis
- Mounting options: G 1/8
- With lock nut for easy installation
- Material: PVC (other materials on request: PP, PVDF or PA)
- Switching voltage max. 48 V
- Contact form: N.O., N.C., changeover
- One switching point as standard
- Temperature range (PVC) from -10 °C to +65 °C max.
- IP67 protection class

Technical drawing

IMAGE 1/2

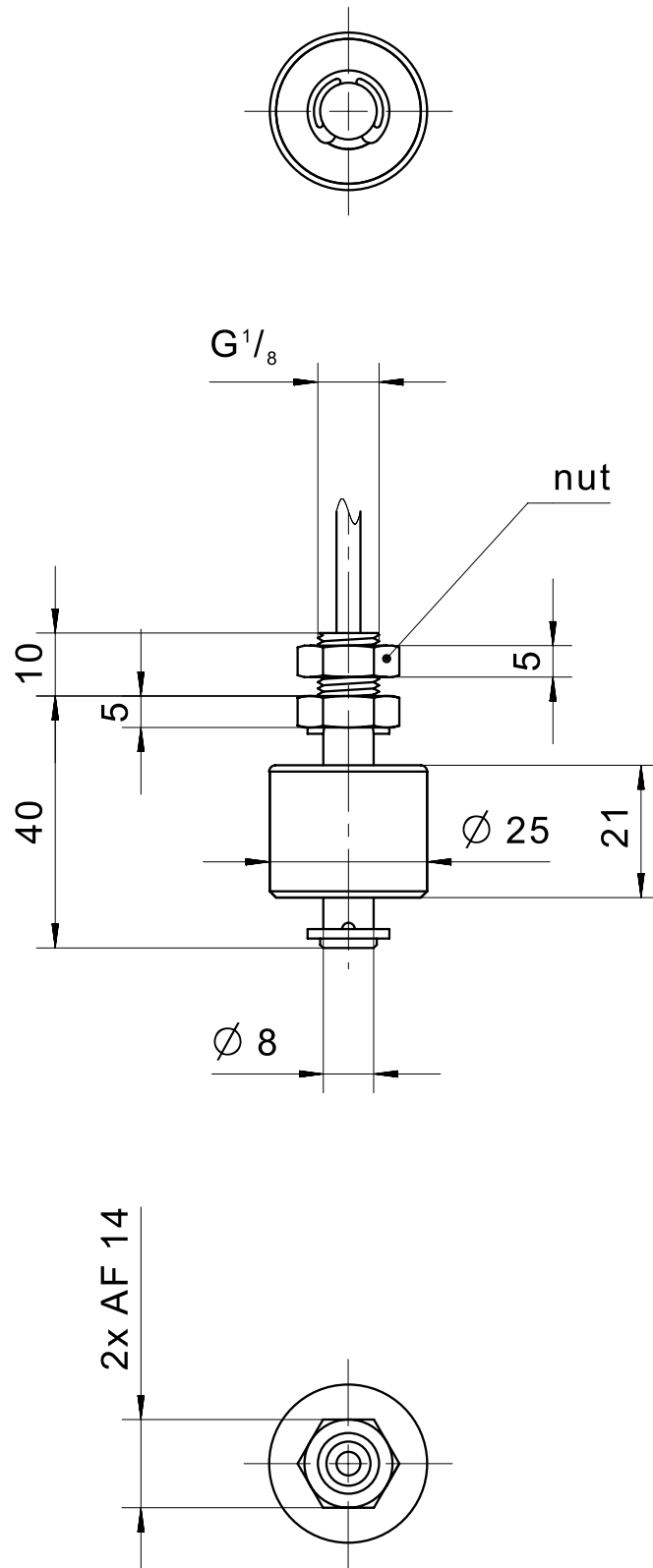
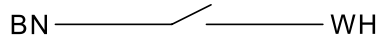
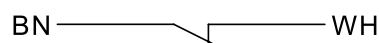


IMAGE 2/2

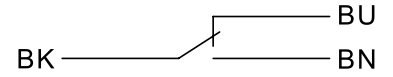
203010..



203020..



203030..



Product options

IMAGE 1/1

**ORDERING KEY**

2030			Miniature float switch G1/8
	10		N.O. – material PVC – cable connection 1m
	20		N.C. – material PVC – cable connection 1m
	30		C.O. – material PVC – cable connection 1m
			Other materials (PP, PVDF, PA) on request
			<b>Other available cable lengths</b>
		-3	3 m
		-5	5 m
		-10	10 m
			Other cable materials and cable lengths on request

## Article characteristics

Attribute	203010	203020	203030
Max. switching voltage	48 V DC		
Max. switching voltage	48 V AC		
Max. switching current	0.5 A		0.3 A
Max. switching power	10 W		
Contact form	1A	1B	1C
Output signal	digital		
Technology	Reed		
Switching point function	Rising level		
Change of switching function by turning the float	yes		
Recommended minimum density of the medium	0.7 g/cm <sup>3</sup>		
Float diameter	25 mm		
Version	Straight		
Housing material	PVC		
Float material	PVC		
Riser material	PVC		
Cable material	PVC		
Operating temperature min.	-10 °C		
Max. operating temperature	65 °C		
Pressure resistance	3 bar		
Protection class outside container	IP67 DIN EN 60529		
Protection class inside container	IP68 DIN EN 60529		
Installation	from inside		
Mounting type	Thread		
Thread	G 1/8		
Riser diameter	8 mm		
Riser length	40 mm		
Installation opening	G 1/8		
Torque	1 N m		
Connector type	-		
Cable length	1 m		