



## Miniature float switch 20341103

Miniature float switch 20341103 made of stainless steel is used primarily in the chemical industry. The level detection sensor was developed for use in aggressive media, such as acids.

The miniature float switch is a cost-effective solution that can be fully customised to suit your needs, and is reversible by rotating the float. At elobau, you set the standard. The miniature float switch can be fully customised using our online configurator.

### Product characteristics

- Level measurement on reed-contact basis
- Mounting options: G 1/8 thread
- Material: stainless steel
- Switching voltage max. 48 V
- Contact form: N.O.
- One switching point as standard
- Temperature range from -25 °C to +100 °C
- IP67 protection class
- Extremely high pressure resistance up to 33 bar
- Optionally with temperature contact

Technical drawing

IMAGE 1/2

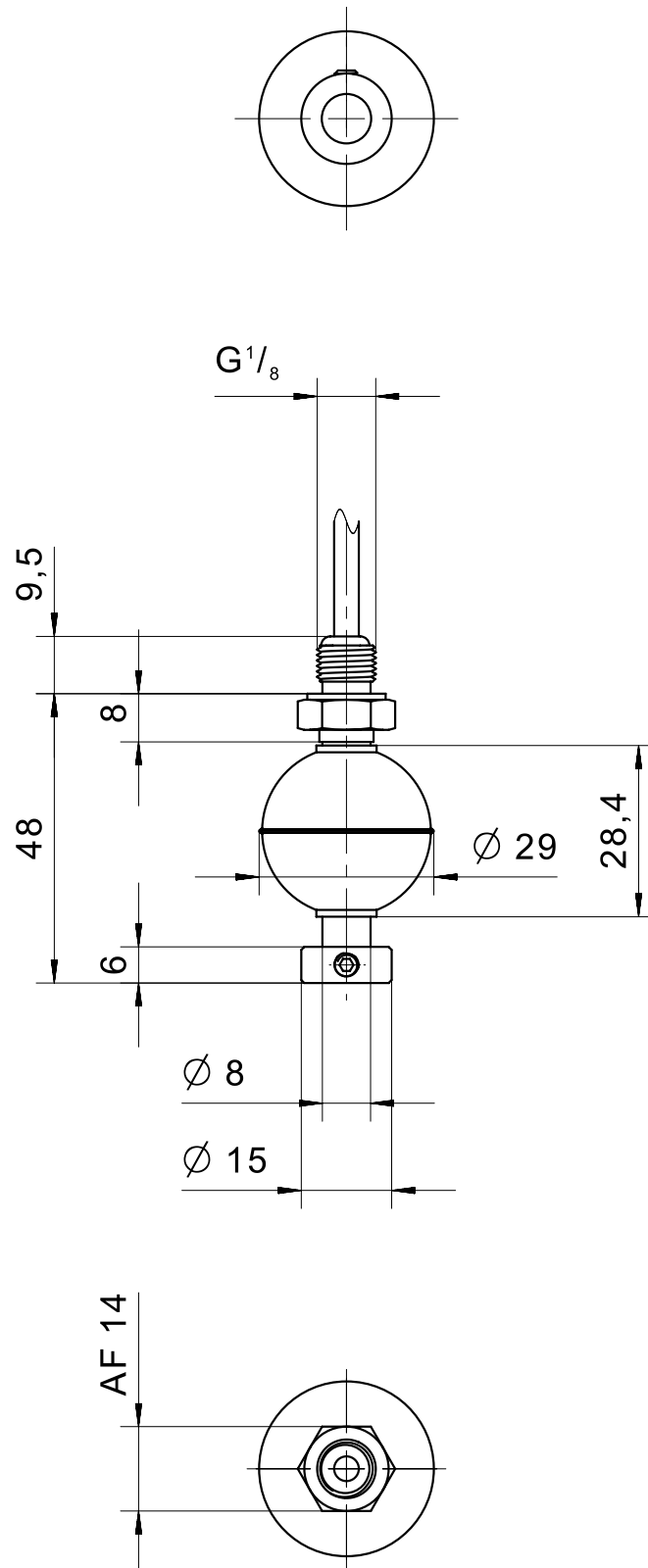
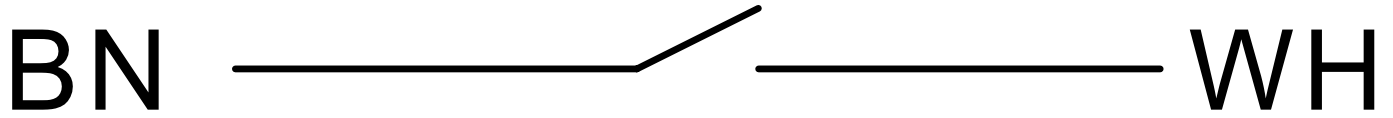


IMAGE 2/2



Product options

IMAGE 1/1

**ORDERING KEY**

| Miniature float switch G1/8, stainless steel |     |  |
|--|-----|--|
| 20341103                                     |     | N.O. – material VA – cable connection 1m           |
|  |     |  |
|  |     | <b>Other available cable lengths</b>               |
|  | -3  | 3 m  |
|  | -5  | 5 m  |
|  | -10 | 10 m   |
|  |     | Other cable materials and cable lengths on request |

## Article characteristics

| Attribute   | 20341103              |
|---|-----------------------|
| Max. switching voltage                            | 48 V DC               |
| Max. switching voltage                            | 48 V AC               |
| Max. switching current                            | 0.5 A                 |
| Max. switching power                              | 10 W                  |
| Contact form                                      | 1A                    |
| Output signal                                     | digital               |
| Technology  | Reed                  |
| Switching point function                          | Rising level          |
| Change of switching function by turning the float | yes                   |
| Recommended minimum density of the medium         | 0.7 g/cm <sup>3</sup> |
| Float diameter                                    | 29 mm                 |
| Version   | Straight              |
| Housing material                                  | VA 1.4571             |
| Float material                                    | VA 1.4571             |
| Riser material                                    | VA 1.4571             |
| Cable material                                    | PVC                   |
| Operating temperature min.                        | -25 °C                |
| Max. operating temperature                        | 100 °C                |
| Pressure resistance                               | 33 bar                |
| Protection class outside container                | IP67 DIN EN 60529     |
| Protection class inside container                 | IP68 DIN EN 60529     |
| Installation                                      | from inside           |
| Mounting type                                     | Thread                |
| Thread  | G 1/8                 |
| Riser diameter                                    | 8 mm                  |
| Riser length                                      | 48 mm                 |
| Installation opening                              | G 1/8                 |
| Torque  | 5 N m                 |
| Connector type                                    | -                     |
| Cable length                                      | 1 m                   |