



## Miniature float switch 2094118001

Miniature float switch 2094118001 was developed for tough operating conditions and for monitoring aggressive fluids.

Float switch 2094118001 is ideal for use in extremely tight spaces as the side mounting requires minimal installation space. At elobau, you set the standard. The miniature float switch can be fully customised using our online configurator.

### Product characteristics

- Level measurement on reed-contact basis
- Mounting options: G 1/4 "
- With lock nut for easy installation
- Material: stainless steel
- Switching voltage max. 48 V
- Contact form: N.O.
- One switching point as standard
- Temperature range from -25 °C to +100 °C
- IP67 protection class
- Extremely high pressure resistance up to 25 bar
- Optionally with temperature contact

Technical drawing

IMAGE 1/2

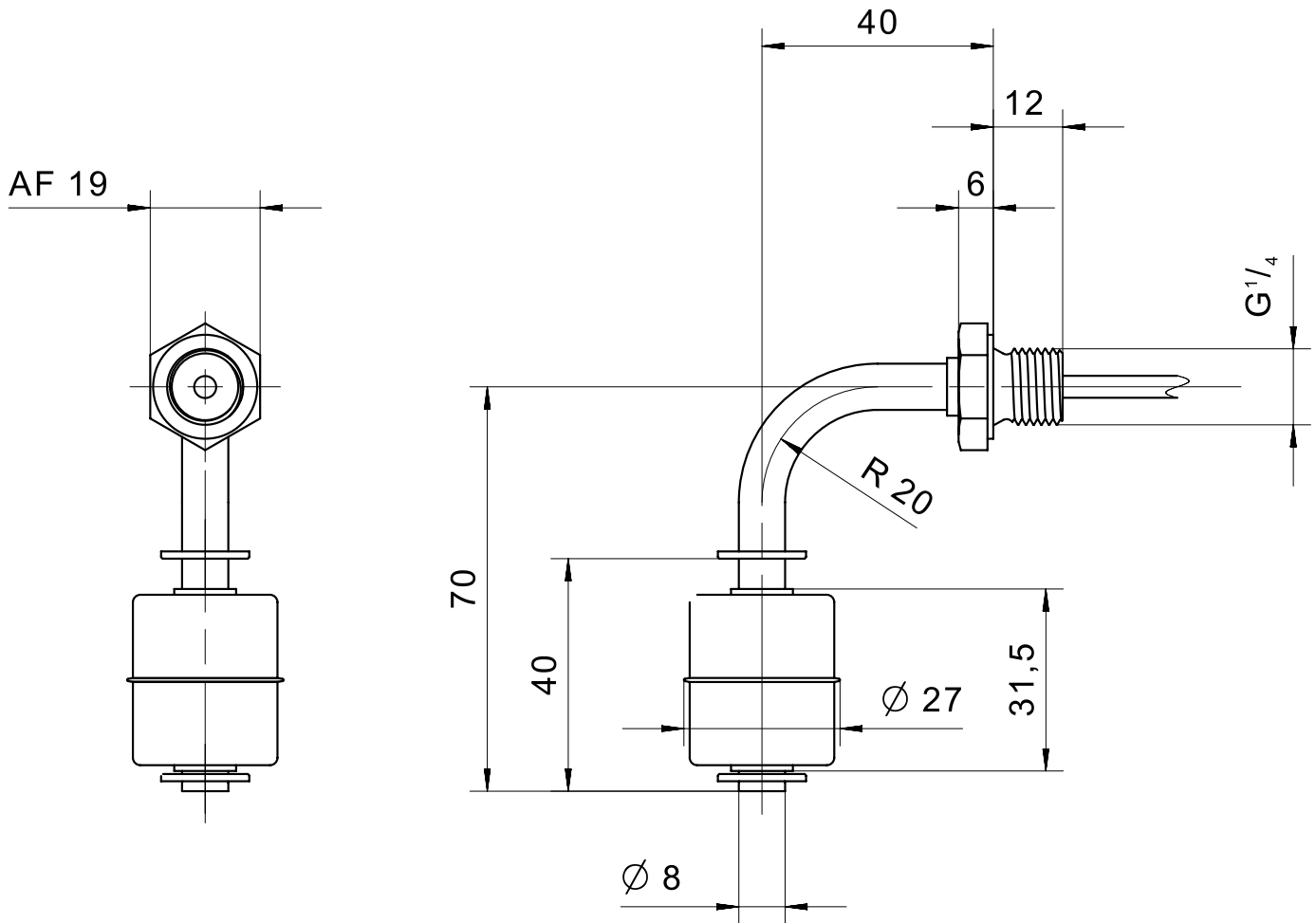



IMAGE 2/2

BN  WH

Product options

IMAGE 1/1

**ORDERING KEY**

<b>Miniature float switch G1/4, stainless steel</b>		
2094118001		N.O. – material VA – cable connection 1m
		<b>Other available cable lengths</b>
	-3	3 m
	-5	5 m
	-10	10 m
		Other cable materials and cable lengths on request

## Article characteristics

Attribute	2094118001
Max. switching voltage	48 V DC
Max. switching voltage	48 V AC
Max. switching current	0.5 A
Max. switching power	10 W
Contact form	1A
Output signal	digital
Technology	Reed
Switching point function	Rising level
Change of switching function by turning the float	no
Recommended minimum density of the medium	0.67 g/cm <sup>3</sup>
Float diameter	27 mm
Version	Angled
Housing material	VA 1.4571
Float material	VA 1.4571
Riser material	VA 1.4571
Cable material	PVC
Protection class outside container	IP67 DIN EN 60529
Protection class inside container	IP68 DIN EN 60529
Operating temperature min.	-25 °C
Max. operating temperature	100 °C
Pressure resistance	25 bar
Installation	from inside
Mounting type	Thread
Thread	G 1/4
Riser diameter	8 mm
Installation opening	G 1/4
Torque	10 N m
Riser length	70/40mm
Connector type	-
Cable length	1 m