



Immersion float switch

The elobau immersion float switch, based on robust and reliable reed technology, is typically used for limit level monitoring in large tanks. Areas of application include monitoring the empty or overflow of liquids such as water, oil or other chemicals. The submersible float switch is convincing due to its robust design and maximum flexibility: the switching point height can be variably adjusted using the optionally available mounting modules with cable gland and the switching function can be reversed by turning the float.

Product characteristics

- Immersion float switch
- Level measurement on reed contact basis
- Mounting on cable via cable gland and optional mounting module
- Materials: Stainless steel float switch with PUR cable and PVC float switch with PVC cable
- Switching voltage max. 48 V
- Contact type: normally open contact
- Temperature range: -40°C to +90°C (stainless steel), -10°C to +65°C (PVC)
- Protection class: IP68 DIN EN 60529

Technical drawing

IMAGE 1/3: 2ESI*

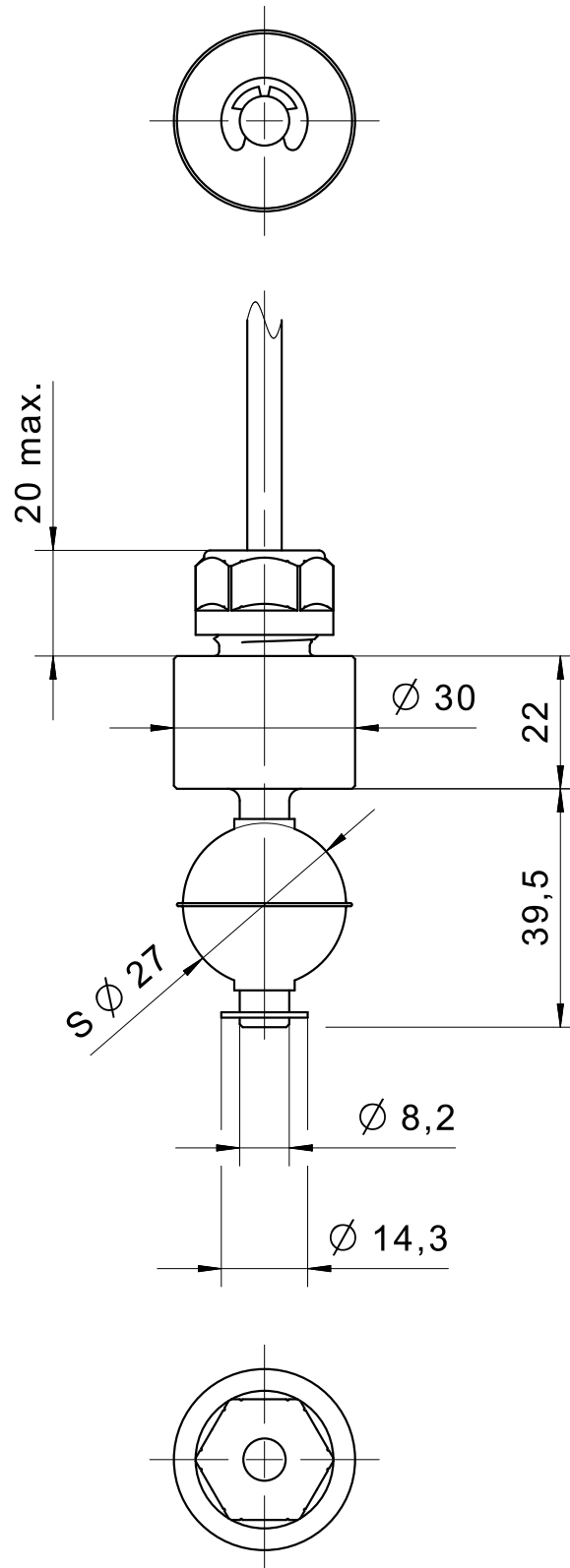


IMAGE 2/3

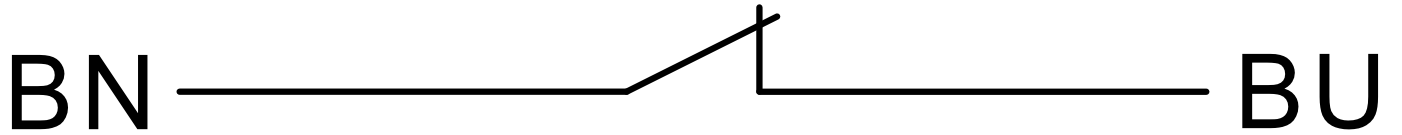
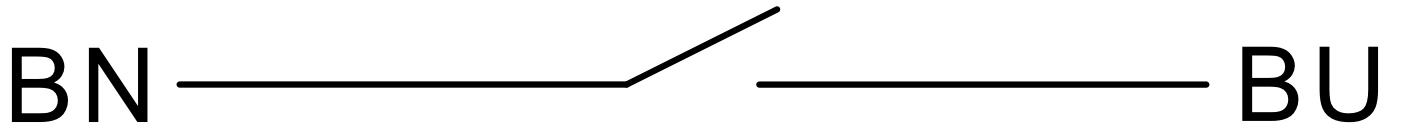
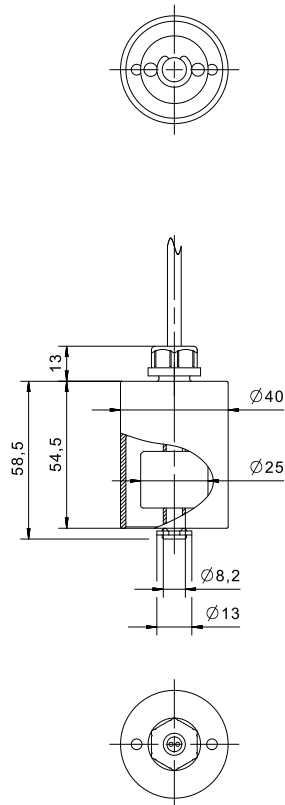


IMAGE 3/3: 2ES0*



Article characteristics

Attribute	2ES0001	2ES0003	2ES1001	2ES1002
Min. switching voltage	0 V DC			
Max. switching voltage	48 V DC			
Min. switching voltage	0 V AC			
Max. switching voltage	48 V AC			
Min. switching current	0 A			
Max. switching current	0.5 A			
Min. switching power	0 W			
Max. switching power	50 W			
Contact form	1A or 1B			
Output signal	digital			
Technology	Reed			
Change of switching function by turning the float	yes			
Switching point function	See data sheet			
Recommended minimum density of the medium	0.8 g/cm ³		0.7 g/cm ³	
Float diameter	25 mm		29 mm	
Version	Straight			
Diameter	40 mm		30 mm	
Housing material	PVC		VA	
Float material	PVC		VA	
Riser material	PVC		VA	
Cable material	PVC		PUR	
Protection class inside container	IP68 DIN EN 60529			
Operating temperature min.	-10 °C		-40 °C	
Max. operating temperature	65 °C		90 °C	
Pressure resistance	3 bar			
Installation	from above			
Mounting type	-			
Mounting modules	35020501 , 35020502			
Riser diameter	8 mm			
Riser length	38 mm		40 mm	
Installation opening	min.40mm		min.30mm	
Connector type	ohne			

Attribute	2ES0001	2ES0003	2ES1001	2ES1002
Cable length	1 m	5 m	1 m	5 m