



Miniature float switch 2000

elobau miniature float switch 2000.0 with PG 7 thread is frequently used for level detection in medical applications. The compact design and reliable measurement also make this float switch ideal for use in water processing plants or tanks. The miniature float switch is a cost-effective solution that can be fully customised to suit your needs, and is reversible by rotating the float.

At elobau, you set the standard. The miniature float switch can be fully customised using our online configurator.

Product characteristics

- Level measurement on reed-contact basis
- Mounting options: PG 7 thread
- With lock nut for easy installation
- Material: PVC (other materials on request: PP, PVDF or PA)
- Switching voltage max. 48 V
- Contact form: N.O., N.C., changeover
- One switching point as standard
- Temperature range (PVC) from -10 °C to +65 °C max.
- IP67 protection class

Technical drawing

IMAGE 1/2

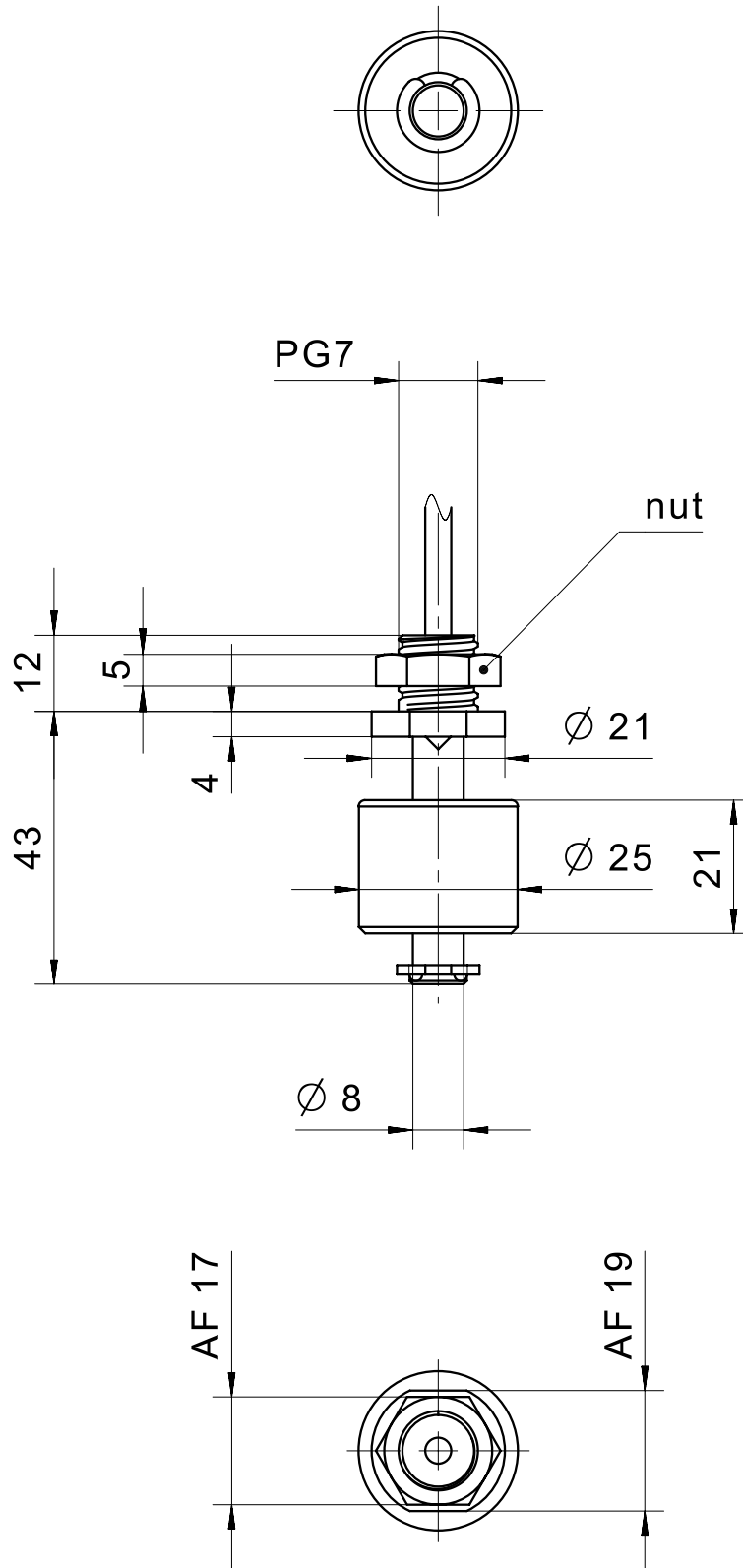
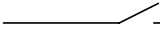
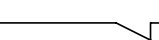


IMAGE 2/2

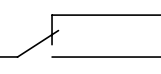
200010..

BN  WH

200020..

BN  WH

200030..

BK  BU
BN

Product options

IMAGE 1/1

ORDERING KEY

2000			Miniature float switch PG7
	10		N.O. – material PVC – cable connection 1m
	20		N.C. – material PVC – cable connection 1m
	30		C.O. – material PVC – cable connection 1m
			Other materials (PP, PVDF, PA) on request
			Other available cable lengths
		-3	3 m
		-5	5 m
		-10	10 m
			Other cable materials and cable lengths on request
Variant:			
	20001206		N.O. – material PP – cable connection 1m, IP68
			Other available cable lengths
		-3	3 m
		-5	5 m
		-10	10 m
			Other cable materials and cable lengths on request

Article characteristics

Attribute	200010	200020	200030
Max. switching voltage	48 V DC		
Max. switching voltage	48 V AC		
Max. switching current	0.5 A		0.3 A
Max. switching power	10 W		3 W
Contact form	1A	1B	1C
Output signal	digital		
Technology	Reed		
Change of switching function by turning the float	yes		
Switching point function	Rising level		
Recommended minimum density of the medium	0.7 g/cm ³		
Float diameter	25 mm		
Version	Straight		
Housing material	PVC		
Float material	PVC		
Riser material	PVC		
Cable material	PVC		
Protection class outside container	IP67 DIN EN 60529		
Protection class inside container	IP68 DIN EN 60529		
Operating temperature min.	-10 °C		
Max. operating temperature	65 °C		
Pressure resistance	3 bar		
Installation	from inside		
Mounting type	Thread		
Thread	PG7		
Riser diameter	8 mm		
Riser length	43 mm		
Installation opening	PG7		
Torque	2 N m		
Connector type	-		
Cable length	1 m		