



eloLance SL2D

The eloLance – the new suction lance generation

The eloLance is the new suction lance generation that offers you everything to make your systems and machines more efficient and reduce your workload. Its low extraction point enables economical, sustainable handling of liquids and reduces residual quantities in the container. Their high reliability and resistance in a wide range of liquids, combined with simple, safe operation, are strong arguments for users. This makes suction lances the ideal solution for use in canisters.

Product characteristics

- Seal-free design
- Low extraction point
- Easy handling due to ergonomic head
- 1 or 2 switching points possible: pre-empty and empty switching point
- High resistance due to optimised wall thickness for components in contact with media
- Clamping cone for variable height adjustment
- Horizontal hose and cable outlet
- Ball leakage brake

Technical drawing

IMAGE 1/6

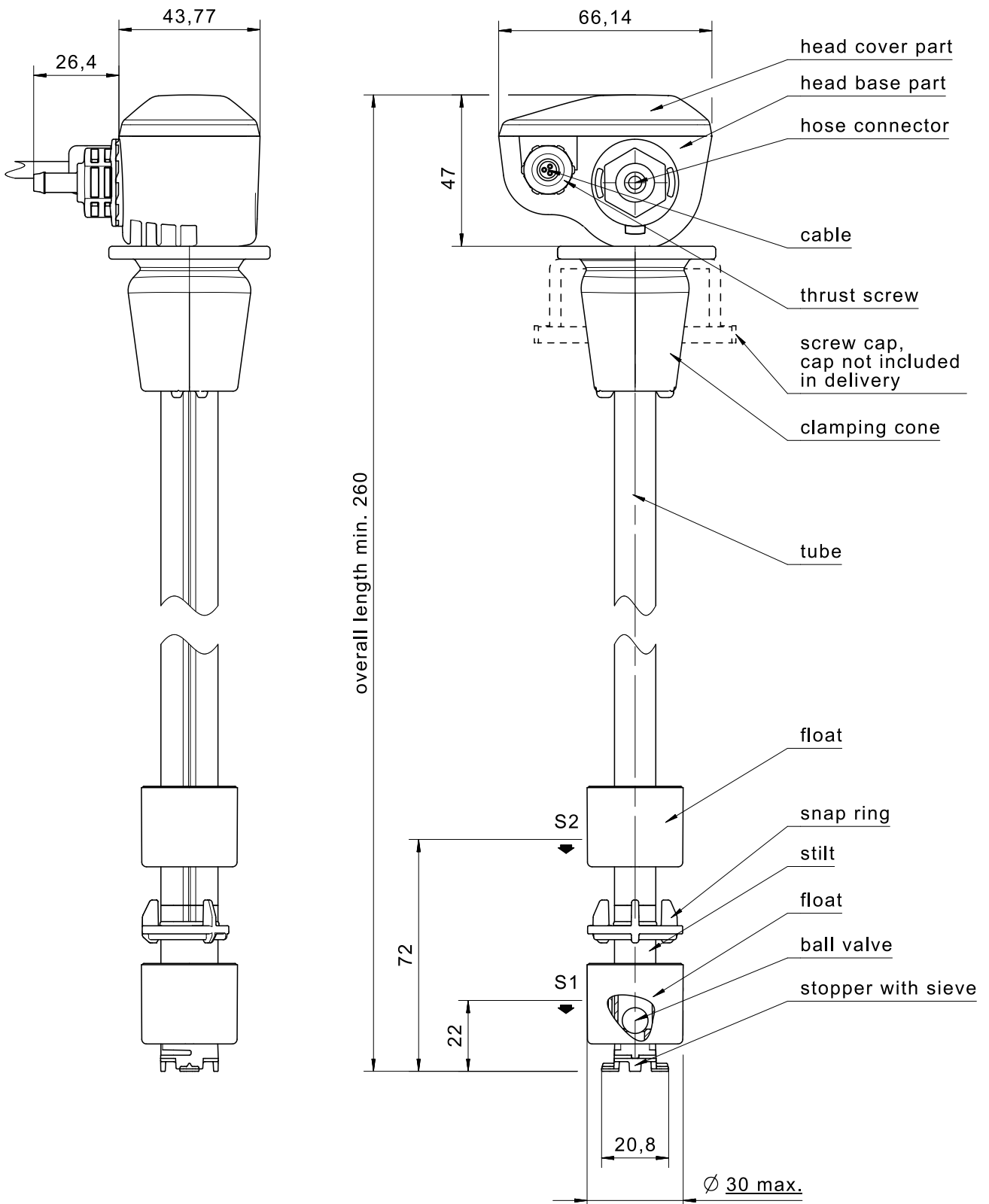
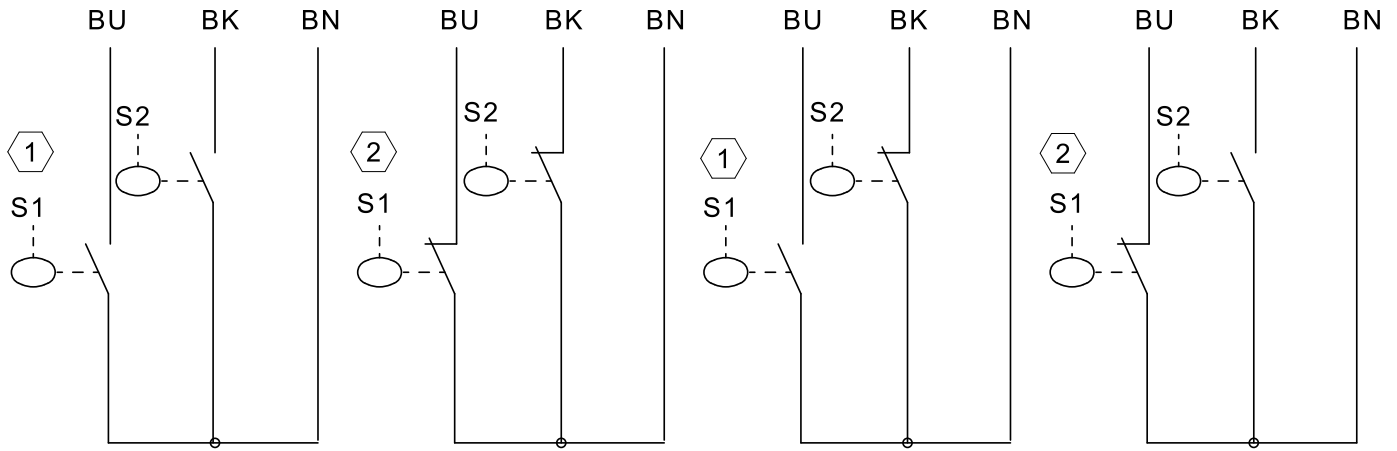


IMAGE 2/6





	S1 float cover at the top SF-A NO normally open ----- switching function can be changed by turning the float
	S1 float cover below SF-B NC normally closed ----- switching function can be changed by turning the float

IMAGE 3/6

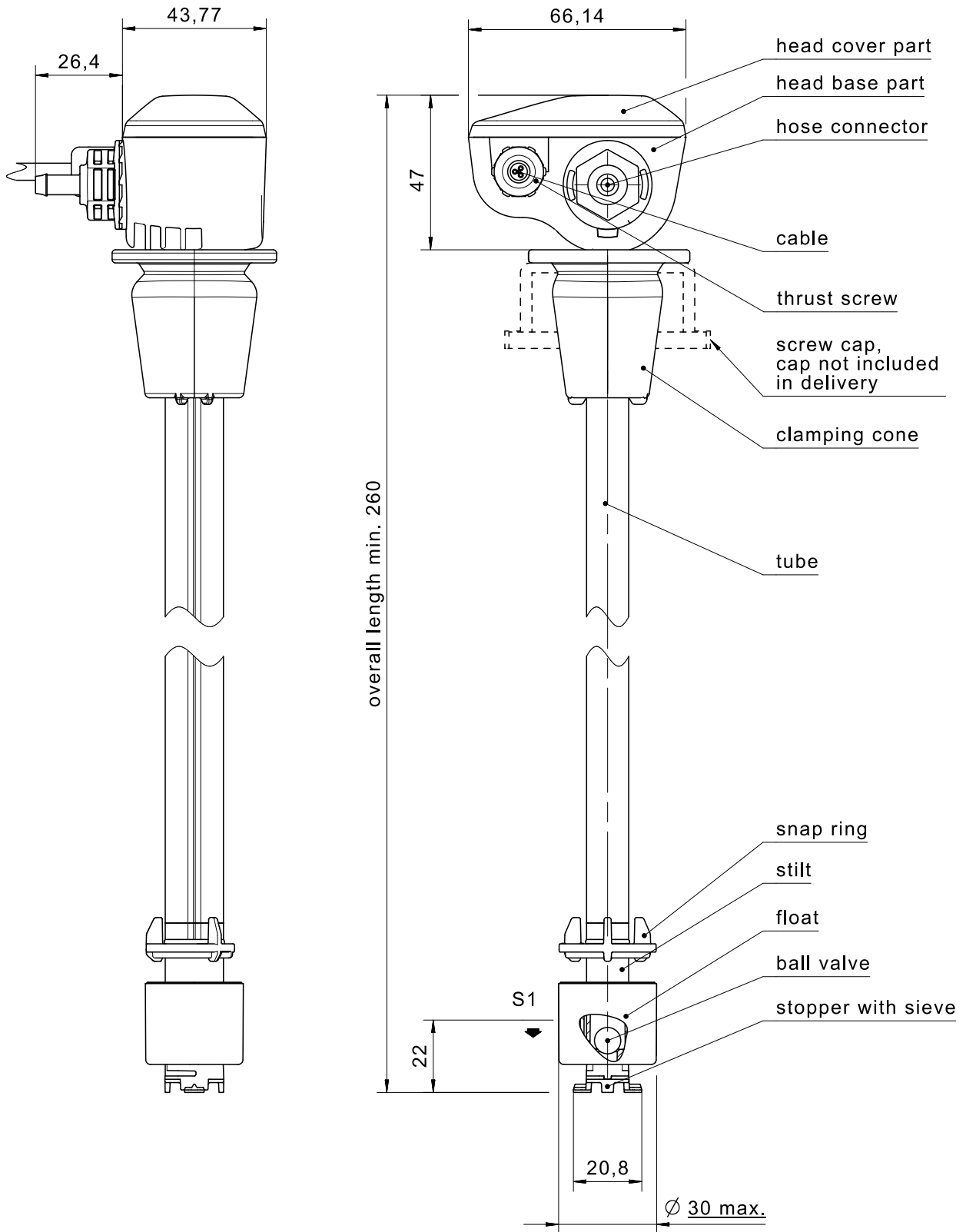
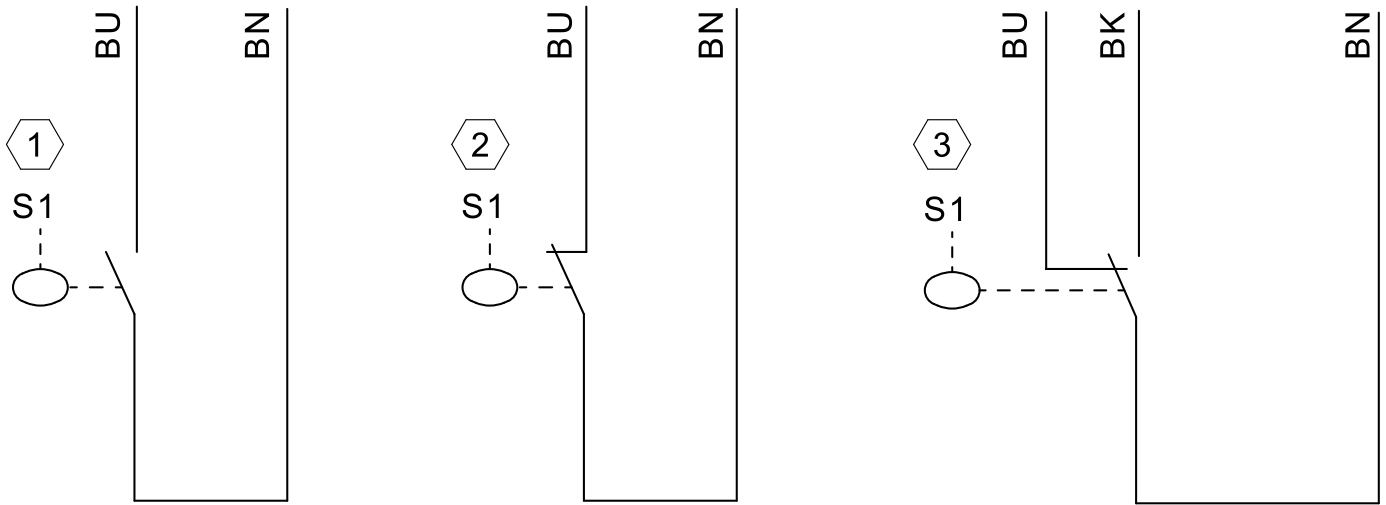


IMAGE 4/6






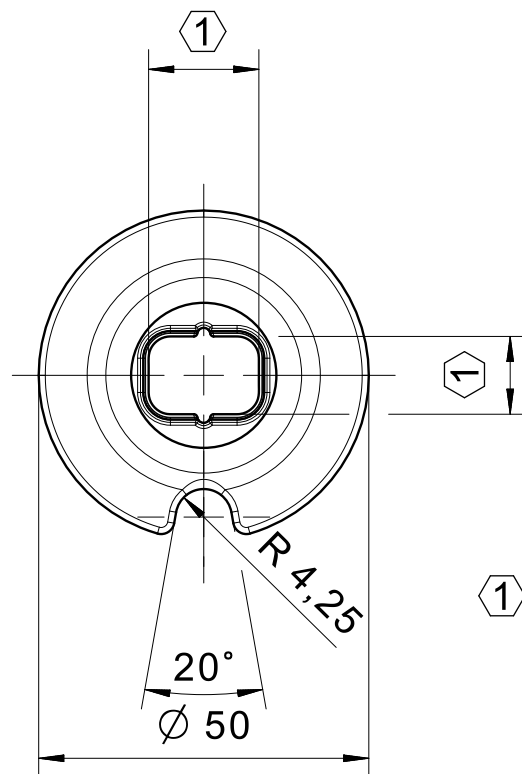
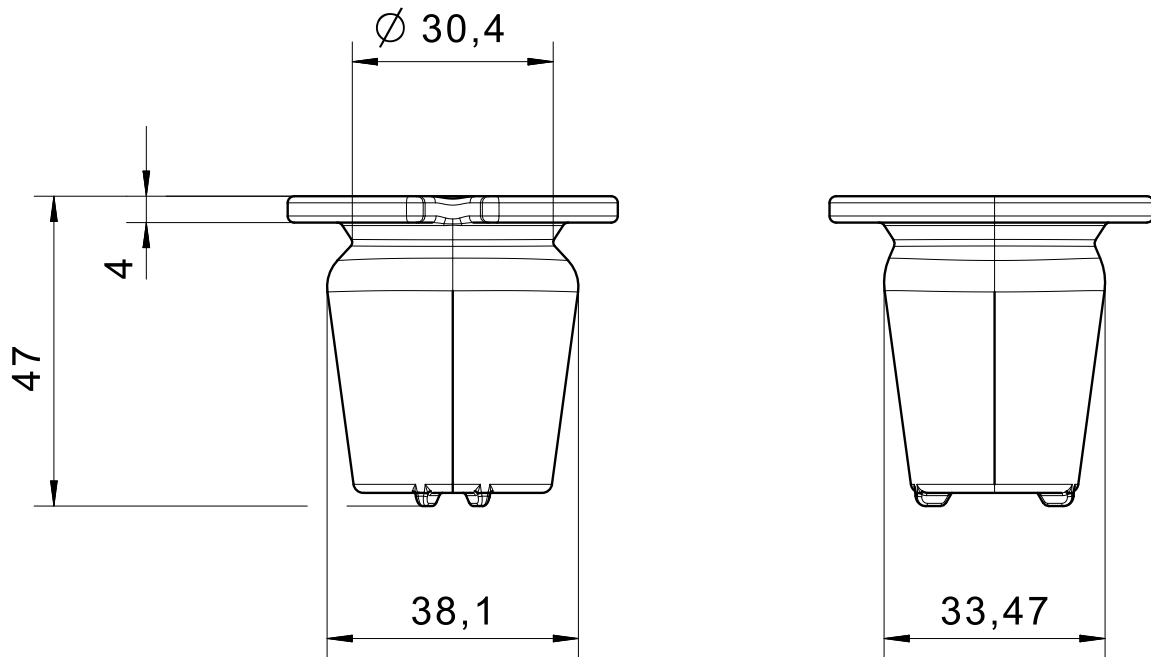
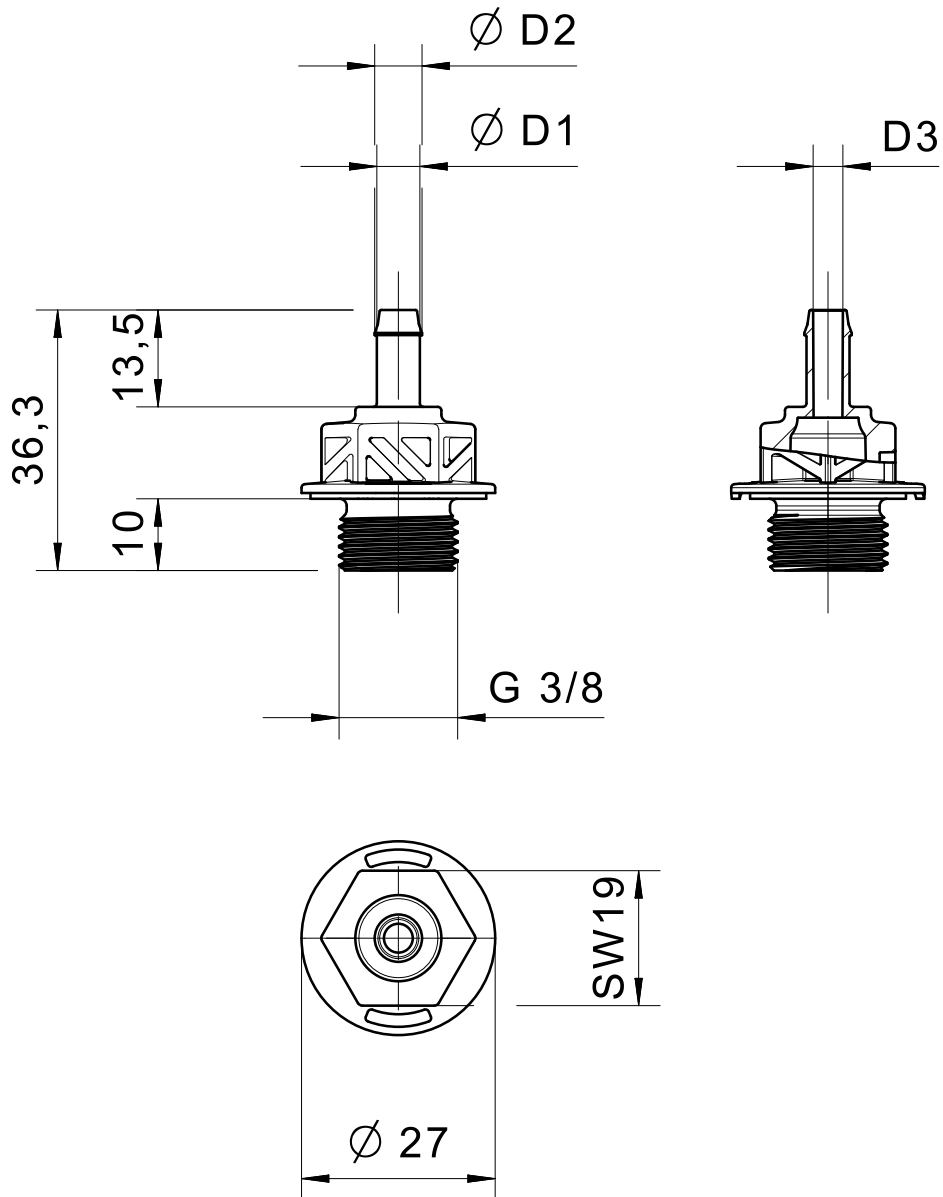
	S1 float cover at the top SF-A NO normally open ----- switching function can be changed by turning the float
	S1 float cover below SF-B NC normally closed ----- switching function can be changed by turning the float
	S1 float cover at the top SF-C changeover -----

IMAGE 5/6



① compatible with SL2...

IMAGE 6/6



D1	D2	D3
$\varnothing 4$	4,5	2
$\varnothing 6$	6,6	4
$\varnothing 8$	8,7	6

Article characteristics

Attribute	SL2D1000010	SL2D1000011	SL2D1000012	SL2D1000013	SL2D1000014	SL2D1000015 ▶
Max. switching voltage	48 V AC					
Max. switching voltage	48 V DC					
Max. switching current	0.5 A					
Max. switching power	10 VA					
Output signal	digital					
Technology	Reed					
Number of switching points	1					
Contact form S1	opens at falling level					
Contact form S2	-					
Switching point height S1	22 mm					
Switching point height S2	-					
Run-out brake	Gravity ball brake					
Filter sieve	Filter mesh size 50 x 0,89mm ²					
Article marking	Laser marking					
Structure	Seal free structure in immersed area					
Overall length	260 mm	300 mm	340 mm	400 mm	440 mm	500 mm
Immersion length max.	209 mm	249 mm	289 mm	349 mm	389 mm	449 mm
Height/Width/Depth head piece	47mm x 66,14mm x 43,77mm					
Float diameter	30 mm					
Recommended minimum density of the medium	0.7 g/cm ³					
Housing material	PP/PVC/TPE					
Float material	PE					
Hose fitting material	PE					
Riser material	PVC					
Sealing ring material	-					
Cable material	PVC					
Hose material	-					
Valve ball material	Glass					
Container fastening material	Silicone					
Protection class head piece	IP65 DIN EN 60529					

Attribute	SL2D1000010	SL2D1000011	SL2D1000012	SL2D1000013	SL2D1000014	SL2D1000015 ▶
Protection class below head piece	IPX8 DIN EN 60529					
Operating temperature min.	5 °C					
Max. operating temperature	60 °C					
Min. storage temperature	-20 °C					
Max. storage temperature	60 °C					
Connection/outlets	Hose fitting for hose with inner diameter 6 mm					
Installation opening	min. 30mm					
Mounting type	Clamping cone					
Connector type	-					
Cable length	5 m					
Connection type	End splice					
Cable type	2x0,50mm ² PVC LiYYöw/UL					

Attribute	SL2D1000016	SL2D2000008	SL2D2000009	SL2D2000011	SL2D2000013	SL2D2000014 ▶
Max. switching voltage	48 V AC					
Max. switching voltage	48 V DC					
Max. switching current	0.5 A	0.25 A				
Max. switching power	10 VA	5 VA				
Output signal	digital					
Technology	Reed					
Number of switching points	1	2				
Contact form S1	opens at falling level					
Contact form S2	-	opens at falling level				
Switching point height S1	22 mm					
Switching point height S2	-	72 mm				
Run-out brake	Gravity ball brake					
Filter sieve	Filter mesh size 50 x 0,89mm ²					
Article marking	Laser marking					
Structure	Seal free structure in immersed area					
Overall length	600 mm	300 mm	400 mm	600 mm	440 mm	340 mm
Immersion length max.	549 mm	249 mm	349 mm	549 mm	389 mm	289 mm
Height/Width/Depth head piece	47mm x 66,14mm x 43,77mm					
Float diameter	30 mm					
Recommended minimum density of the medium	0.7 g/cm ³					
Housing material	PP/PVC/TPE					
Float material	PE					
Hose fitting material	PE					
Riser material	PVC					
Sealing ring material	-					
Cable material	PVC					
Hose material	-					
Valve ball material	Glass					
Container fastening material	Silicone					
Protection class head piece	IP65 DIN EN 60529					
Protection class below head piece	IPX8 DIN EN 60529					

Attribute	SL2D1000016	SL2D2000008	SL2D2000009	SL2D2000011	SL2D2000013	SL2D2000014 ▶
Operating temperature min.	5 °C					
Max. operating temperature	60 °C					
Min. storage temperature	-20 °C					
Max. storage temperature	60 °C					
Connection/outlets	Hose fitting for hose with inner diameter 6 mm					
Installation opening	min. 30mm					
Mounting type	Clamping cone					
Connector type	-					
Cable length	5 m					
Connection type	End splice					
Cable type	2x0,50mm ² PVC LiYYöw/UL	3x0,50mm ² PVC LiYYöw/UL				

Attribute	SL2D2000015	SL2D2000016	SL2D1000006	SL2D1000007	SL2D1000008	SL2D1000009 ▶
Max. switching voltage	48 V AC					
Max. switching voltage	48 V DC					
Max. switching current	0.25 A		0.5 A			
Max. switching power	5 VA		10 VA			
Output signal	digital					
Technology	Reed					
Number of switching points	2		1			
Contact form S1	opens at falling level					
Contact form S2	opens at falling level		-			
Switching point height S1	22 mm					
Switching point height S2	72 mm		-			
Run-out brake	Gravity ball brake					
Filter sieve	Filter mesh size 50 x 0,89mm ²					
Article marking	Laser marking					
Structure	Seal free structure in immersed area					
Overall length	260 mm	1200 mm	440 mm	500 mm	600 mm	800 mm
Immersion length max.	209 mm	1149 mm	389 mm	449 mm	549 mm	749 mm
Height/Width/Depth head piece	47mm x 66,14mm x 43,77mm					
Float diameter	30 mm					
Recommended minimum density of the medium	0.7 g/cm ³					
Housing material	PP/PVC/TPE					
Float material	PE					
Hose fitting material	PE					
Riser material	PVC					
Sealing ring material	-					
Cable material	PVC					
Hose material	-					
Valve ball material	Glass					
Container fastening material	Silicone					
Protection class head piece	IP65 DIN EN 60529					
Protection class below head piece	IPX8 DIN EN 60529					

Attribute	SL2D2000015	SL2D2000016	SL2D1000006	SL2D1000007	SL2D1000008	SL2D1000009 ▶
Operating temperature min.	5 °C					
Max. operating temperature	60 °C					
Min. storage temperature	-20 °C					
Max. storage temperature	60 °C					
Connection/outlets	Hose fitting for hose with inner diameter 6 mm					
Installation opening	min. 30mm					
Mounting type	Clamping cone					
Connector type	-					
Cable length	5 m			3 m		
Connection type	End splice					
Cable type	3x0,50mm ² PVC LiYYöw/UL			2x0,50mm ² PVC LiYYöw/UL		

Attribute	SL2D2000003	SL2D2000006	SL2D2000007	SL2D1000004	SL2D2000004	SL2D2000005 ▶
Max. switching voltage	48 V AC					
Max. switching voltage	48 V DC					
Max. switching current	0.25 A			0.5 A	0.25 A	
Max. switching power	5 VA			10 VA	5 VA	
Output signal	digital					
Technology	Reed					
Number of switching points	2			1	2	
Contact form S1	opens at falling level					
Contact form S2	opens at falling level			-	opens at falling level	
Switching point height S1	22 mm					
Switching point height S2	72 mm			-	72 mm	
Run-out brake	Gravity ball brake			Schwerkraft-Kugel-Bremse	Gravity ball brake	
Filter sieve	Filter mesh size 50 x 0,89mm ²			Sieb Maschenweite 50 x 0,89mm ²	Filter mesh size 50 x 0,89mm ²	
Article marking	Laser marking			Laserbeschriftet	Laser marking	
Structure	Seal free structure in immersed area			Dichtungs-freier Aufbau im eingetauchten Bereich	Seal free structure in immersed area	
Overall length	300 mm	600 mm	800 mm	340 mm	400 mm	500 mm
Immersion length max.	249 mm	549 mm	749 mm	289 mm	349 mm	449 mm
Height/Width/Depth head piece	47mm x 66,14mm x 43,77mm					
Float diameter	30 mm					
Recommended minimum density of the medium	0.7 g/cm ³					
Housing material	PP/PVC/TPE					
Float material	PE					
Hose fitting material	PE					
Riser material	PVC					
Sealing ring material	-					
Cable material	PVC					
Hose material	-					
Valve ball material	Glass			Glas	Glass	

Attribute	SL2D2000003	SL2D2000006	SL2D2000007	SL2D1000004	SL2D2000004	SL2D2000005 ▶
Container fastening material	Silicone			Silikon	Silicone	
Protection class head piece	IP65 DIN EN 60529					
Protection class below head piece	IPX8 DIN EN 60529					
Operating temperature min.	5 °C					
Max. operating temperature	60 °C					
Min. storage temperature	-20 °C					
Max. storage temperature	60 °C					
Connection/outlets	Hose fitting for hose with inner diameter 6 mm					
Installation opening	min. 30mm					
Mounting type	Clamping cone					
Connector type	-					
Cable length	3 m					
Connection type	End splice			Aderendhülse	End splice	
Cable type	3x0,50mm ² PVC LiYYöw/UL			2x0,50mm ² PVC LiYYöw/UL	3x0,50mm ² PVC LiYYöw/UL	

Attribute	SL2D2000010	SL2D1000003	SL2D1000005	SL2D1000017	SL2D1000018	SL2D1000019 ▶
Max. switching voltage	48 V AC					
Max. switching voltage	48 V DC					
Max. switching current	0.25 A					0.5 A
Max. switching power	5 VA					10 VA
Output signal	digital					
Technology	Reed					
Number of switching points	2					1
Contact form S1	opens at falling level					
Contact form S2	opens at falling level					-
Switching point height S1	22 mm					
Switching point height S2	72 mm					-
Run-out brake	Gravity ball brake					
Filter sieve	Filter mesh size 50 x 0,89mm ²					
Article marking	Laser marking					
Structure	Seal free structure in immersed area					
Overall length	500 mm	300 mm	400 mm	600 mm	1200 mm	700 mm
Immersion length max.	449 mm	249 mm	349 mm	549 mm	1149 mm	649 mm
Height/Width/Depth head piece	47mm x 66,14mm x 43,77mm			47mm x 66,14mm x 43,77mmx	47mm x 66,14mm x 43,77mm	
Float diameter	30 mm					
Recommended minimum density of the medium	0.7 g/cm ³					
Housing material	PP/PVC/TPE					
Float material	PE					
Hose fitting material	PE					
Riser material	PVC					
Sealing ring material	-					
Cable material	PVC					
Hose material	-					
Valve ball material	Glass					
Container fastening material	Silicone					
Protection class head piece	IP65 DIN EN 60529					
Protection class below head piece	IPX8 DIN EN 60529					

Attribute	SL2D2000010	SL2D1000003	SL2D1000005	SL2D1000017	SL2D1000018	SL2D1000019 ▶
Operating temperature min.	5 °C					
Max. operating temperature	60 °C					
Min. storage temperature	-20 °C					
Max. storage temperature	60 °C					
Connection/outlets	Hose fitting for hose with inner diameter 6 mm					
Installation opening	min. 30mm					
Mounting type	Clamping cone					
Connector type	-					
Cable length	5 m	3 m		5 m		3 m
Connection type	End splice					
Cable type	3x0,50mm ² PVC LiYYöw/UL	2x0,50mm ² PVC LiYYöw/UL				

Attribute	SL2D1000020	SL2D1000021	SL2D1000022	SL2D1000023	SL2D1000024	SL2D1000025 ▶
Max. switching voltage	48 V AC					
Max. switching voltage	48 V DC					
Max. switching current	0.5 A					
Max. switching power	10 VA					
Output signal	digital					
Technology	Reed					
Number of switching points	1					
Contact form S1	opens at falling level					
Contact form S2	-					
Switching point height S1	22 mm					
Switching point height S2	-					
Run-out brake	Gravity ball brake					
Filter sieve	Filter mesh size 50 x 0,89mm ²					
Article marking	Laser marking					
Structure	Seal free structure in immersed area					
Overall length	900 mm	1000 mm	1100 mm	1200 mm	700 mm	900 mm
Immersion length max.	849 mm	949 mm	1049 mm	1149 mm	649 mm	849 mm
Height/Width/Depth head piece	47mm x 66,14mm x 43,77mm					
Float diameter	30 mm					
Recommended minimum density of the medium	0.7 g/cm ³					
Housing material	PP/PVC/TPE					
Float material	PE					
Hose fitting material	PE					
Riser material	PVC					
Sealing ring material	-					
Cable material	PVC					
Hose material	-					
Valve ball material	Glass					
Container fastening material	Silicone					
Protection class head piece	IP65 DIN EN 60529					
Protection class below head piece	IPX8 DIN EN 60529					

Attribute	SL2D1000020	SL2D1000021	SL2D1000022	SL2D1000023	SL2D1000024	SL2D1000025 ▶
Operating temperature min.	5 °C					
Max. operating temperature	60 °C					
Min. storage temperature	-20 °C					
Max. storage temperature	60 °C					
Connection/outlets	Hose fitting for hose with inner diameter 6 mm					
Installation opening	min. 30mm					
Mounting type	Clamping cone					
Connector type	-					
Cable length	3 m				5 m	
Connection type	End splice					
Cable type	2x0,50mm ² PVC LiYYöw/UL					

Attribute	SL2D1000026	SL2D1000027	SL2D1000028	SL2D1000029	SL2D1000030	SL2D1000035 ▶
Max. switching voltage	48 V AC					
Max. switching voltage	48 V DC					
Max. switching current	0.5 A					
Max. switching power	10 VA					
Output signal	digital					
Technology	Reed					
Number of switching points	1					
Contact form S1	opens at falling level					opens at rising level
Contact form S2	-					
Switching point height S1	22 mm					
Switching point height S2	-					
Run-out brake	Gravity ball brake		Schwerkraft-Kugel-Bremse	Gravity ball brake		
Filter sieve	Filter mesh size 50 x 0,89mm ²		Sieb Maschenweite 50 x 0,89mm ²	Filter mesh size 50 x 0,89mm ²		
Article marking	Laser marking		Laserbeschriftet	Laser marking		
Structure	Seal free structure in immersed area		Dichtungs-freier Aufbau im eingetauchten Bereich	Seal free structure in immersed area		
Overall length	1000 mm	1100 mm	340 mm	400 mm	440 mm	340 mm
Immersion length max.	949 mm	1049 mm	289 mm	349 mm	389 mm	289 mm
Height/Width/Depth head piece	47mm x 66,14mm x 43,77mm					
Float diameter	30 mm					
Recommended minimum density of the medium	0.7 g/cm ³					
Housing material	PP/PVC/TPE					
Float material	PE					
Hose fitting material	PE					
Riser material	PVC					
Sealing ring material	-					
Cable material	PVC					
Hose material	-					
Valve ball material	Glass					-

Attribute	SL2D1000026	SL2D1000027	SL2D1000028	SL2D1000029	SL2D1000030	SL2D1000035 ▶
Container fastening material	Silicone					
Protection class head piece	IP65 DIN EN 60529					
Protection class below head piece	IPX8 DIN EN 60529					
Operating temperature min.	5 °C					
Max. operating temperature	60 °C					
Min. storage temperature	-20 °C					
Max. storage temperature	60 °C					
Connection/outlets	Hose fitting for hose with inner diameter 6 mm		Hose fitting for hose with inner diameter 4 mm			
Installation opening	min. 30mm					
Mounting type	Clamping cone					
Connector type	-					
Cable length	5 m		3 m			1 m
Connection type	End splice					
Cable type	2x0,50mm ² PVC LiYYöw/UL					

Attribute	SL2D2000012	SL2D2000017	SL2D2000018	SL2D2000019
Max. switching voltage	48 V AC			
Max. switching voltage	48 V DC			
Max. switching current	0.25 A			
Max. switching power	5 VA			
Output signal	digital			
Technology	Reed			
Number of switching points	2			
Contact form S1	opens at falling level			
Contact form S2	opens at falling level			
Switching point height S1	22 mm			
Switching point height S2	72 mm			
Run-out brake	Gravity ball brake			
Filter sieve	Filter mesh size 50 x 0,89mm ²			
Article marking	Laser marking			
Structure	Seal free structure in immersed area			
Overall length	800 mm	1000 mm	260 mm	340 mm
Immersion length max.	749 mm	949 mm	209 mm	289 mm
Height/Width/Depth head piece	47mm x 66,14mm x 43,77mm			
Float diameter	30 mm			
Recommended minimum density of the medium	0.7 g/cm ³			
Housing material	PP/PVC/TPE			
Float material	PE			
Hose fitting material	PE			
Riser material	PVC			
Sealing ring material	-			
Cable material	PVC			
Hose material	-			
Valve ball material	Glass			
Container fastening material	Silicone			
Protection class head piece	IP65 DIN EN 60529			
Protection class below head piece	IPX8 DIN EN 60529			
Operating temperature min.	5 °C			
Max. operating temperature	60 °C			

Attribute	SL2D2000012	SL2D2000017	SL2D2000018	SL2D2000019
Min. storage temperature	-20 °C			
Max. storage temperature	60 °C			
Connection/outlets	Hose fitting for hose with inner diameter 6 mm			
Installation opening	min. 30mm			
Mounting type	Clamping cone			
Connector type	-			
Cable length	5 m		3 m	
Connection type	End splice			
Cable type	3x0,50mm ² PVC LiYYöw/UL			