



eloLance SL2R

The eloLance – the new suction lance generation

The eloLance is the new generation of suction lances that gives you everything you need to make your systems and machines more efficient and reduce your workload.

The low extraction point enables economical, sustainable handling of liquids and reduces residual quantities in canisters and other containers. The high reliability and durability in different fluids, combined with simple, safe operation, are strong arguments for users. A quasi-analogue signal forms the basis for innovative IoT functions. These provide valuable application benefits such as detailed consumption analysis, predictive planning, automatic reordering, plausibility checks and container size detection.

Product characteristics

- Seal-free design
- Low extraction point
- Easy handling due to ergonomical head
- Continuous level monitoring – Reed grid with 20 mm graduation
- High resistance due to optimised wall thickness for components in contact with media
- Clamping cone for variable height adjustment
- Horizontal hose and cable outlet
- Ball leakage brake

Technical drawing

IMAGE 1/4

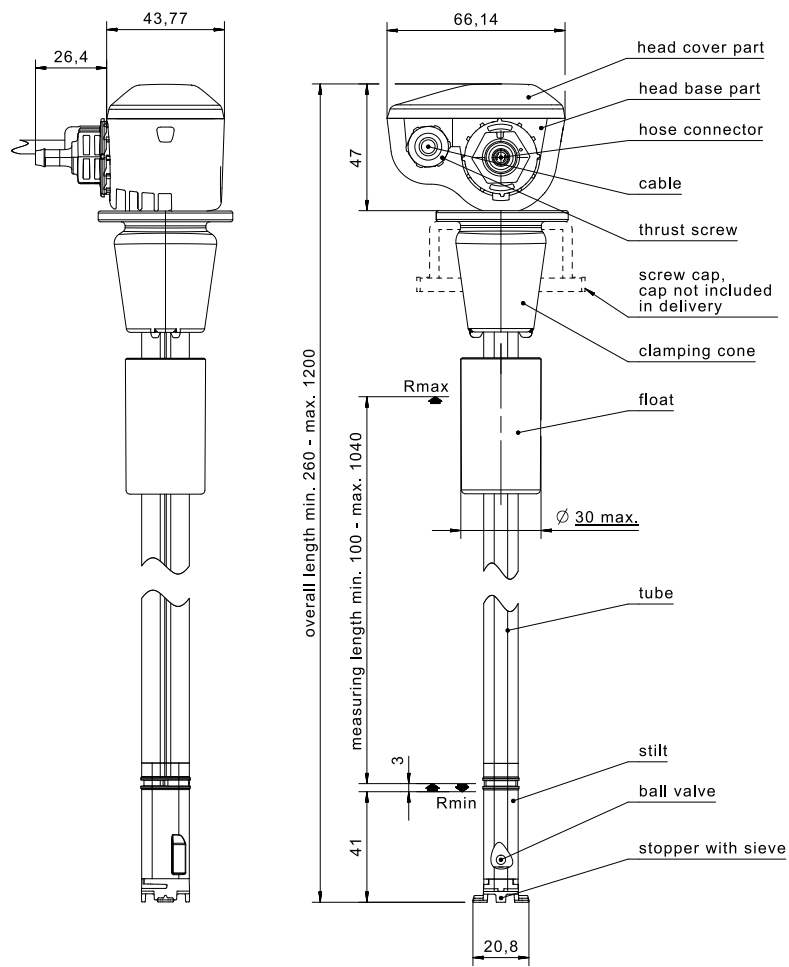


IMAGE 2/4

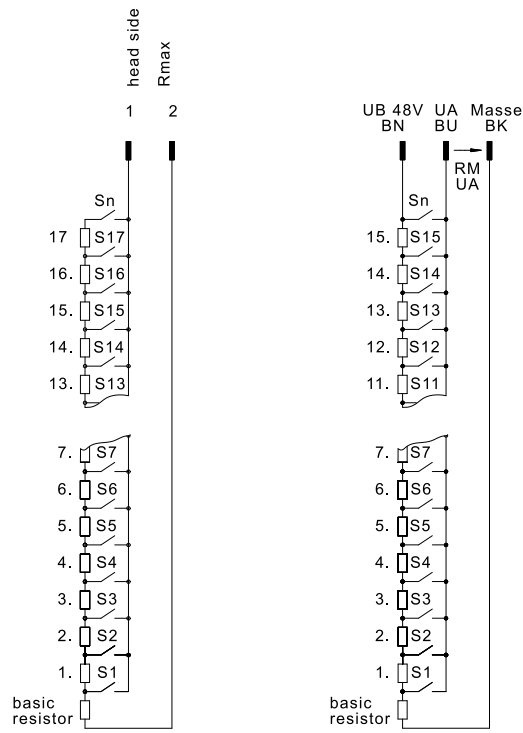
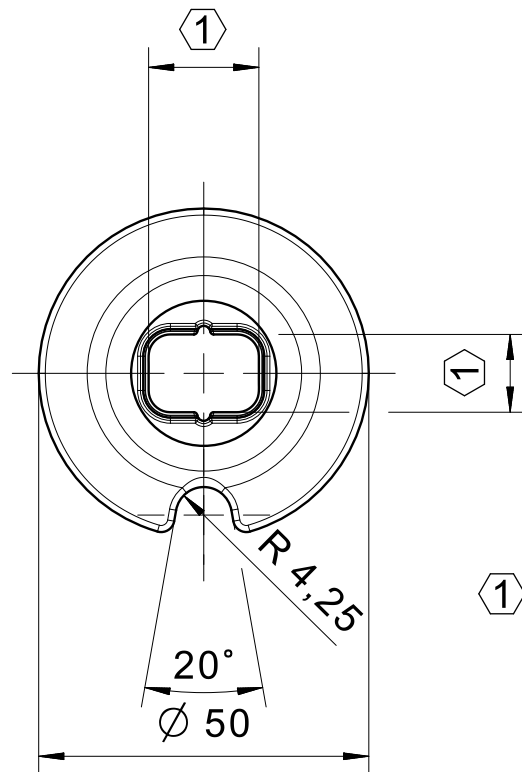
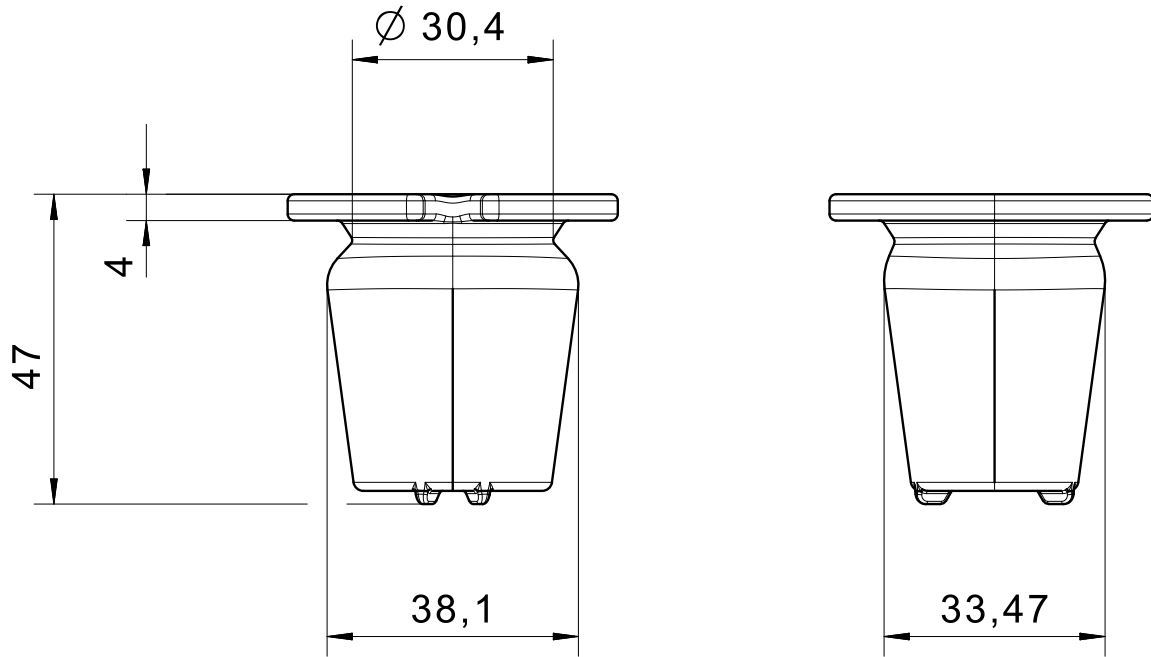
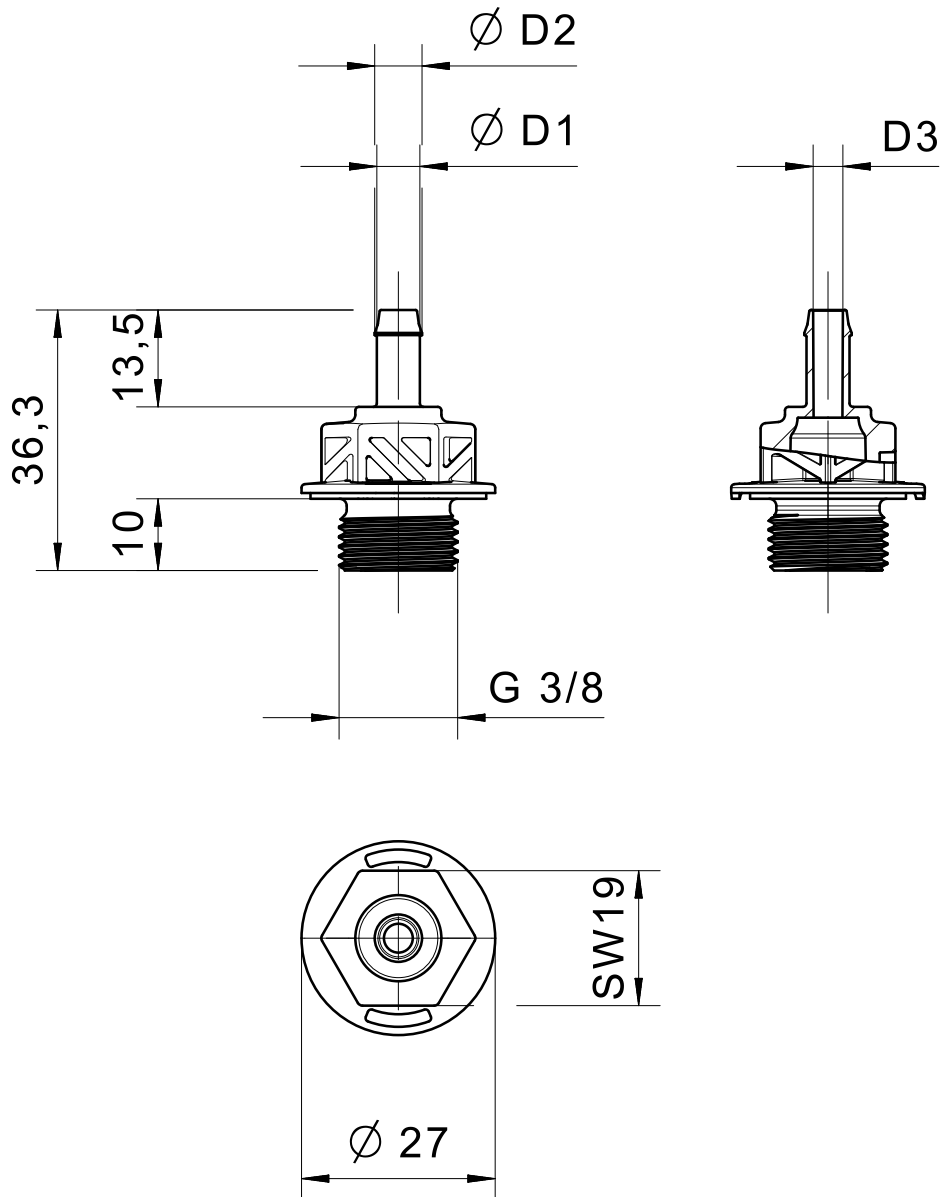


IMAGE 3/4



① compatible with SL2...

IMAGE 4/4



D1	D2	D3
$\varnothing 4$	4,5	2
$\varnothing 6$	6,6	4
$\varnothing 8$	8,7	6

Article characteristics

Attribute	SL2R3000005	SL2R2000003	SL2R2000005	SL2R2000008	SL2R2000018	SL2R3000003
Max. switching voltage	48 V AC					
Max. switching voltage	48 V DC					
Max. switching current	0.003 A					
Max. switching power	10 VA					
Output signal	digital					
Technology	Reed					
Max. resistance value	13800 Ohm	5170 Ohm	7520 Ohm	11280 Ohm	25380 Ohm	9020 Ohm
Min. resistance value	820 Ohm	470 Ohm				820 Ohm
Input voltage	48 V					
Value single resistor	820 Ohm	470 Ohm				820 Ohm
Spacing	20 mm					
Switching points	15 °	11 °	16 °	24 °	54 °	11 °
Switching point height Rmin	41 mm					
Run-out brake	Gravity ball brake					
Filter sieve	Filter mesh size 50 x 0,89mm ²					
Article marking	Laser marking					
Structure	Seal free structure in immersed area					
Overall length	440 mm	340 mm	440 mm	600 mm	1200 mm	340 mm
Immersion length max.	389 mm	289 mm	389 mm	549 mm	1149 mm	289 mm
Height/Width/Depth head piece	47mm x 66,14mm x 43,77mm	47mm x 66,14mm x 43,77mm	47mm x 66,14mm x 43,77mm			
Float diameter	30 mm					
Recommended minimum density of the medium	0.75 g/cm ³					
Housing material	PP/PVC/TPE					
Float material	PE					
Hose fitting material	PE					
Riser material	PVC					
Sealing ring material	-					
Cable material	PVC					
Hose material	-					
Valve ball material	Glass					
Container fastening material	Silicone					
Protection class head piece	IP65 DIN EN 60529					

Attribute	SL2R3000005	SL2R2000003	SL2R2000005	SL2R2000008	SL2R2000018	SL2R3000003
Protection class below head piece	IPX8 DIN EN 60529					
Operating temperature min.	5 °C					
Max. operating temperature	60 °C					
Min. storage temperature	-20 °C					
Max. storage temperature	60 °C					
Connection/outlets	Hose fitting for hose with inner diameter 6 mm					
Installation opening	min. 30mm					
Mounting type	Clamping cone					
Connector type	-					
Cable length	3 m					
Connection type	End splice					
Cable type	3x0,50mm ² PVC LiYYöw/UL	2x0,50mm ² PVC LiYYöw/UL				3x0,50mm ² PVC LiYYöw/UL