



## Safety sensor 122MSV

The smallest type of cylindrical safety sensors from elobau – these sensors can hold their own despite their small size. The completely sealed stainless steel housing can withstand even intense cleaning with aggressive media at extreme temperatures (from -25 °C to +80 °C, IP6K9K protection class).

A reliable switching function is guaranteed by the large operating distance of up to 9.5 mm. In this age of miniaturization, it's the perfect solution for the hygienic environment of the food and packaging industry.

### Technical specifications

- High offset values allow flexible installation
- Protection class IP6K9K, ideal for wash down applications
- Available connection types: M12 housing connector
- Matching actuator in M12 housing – 122MBV100

### Technical drawing

IMAGE 1/3

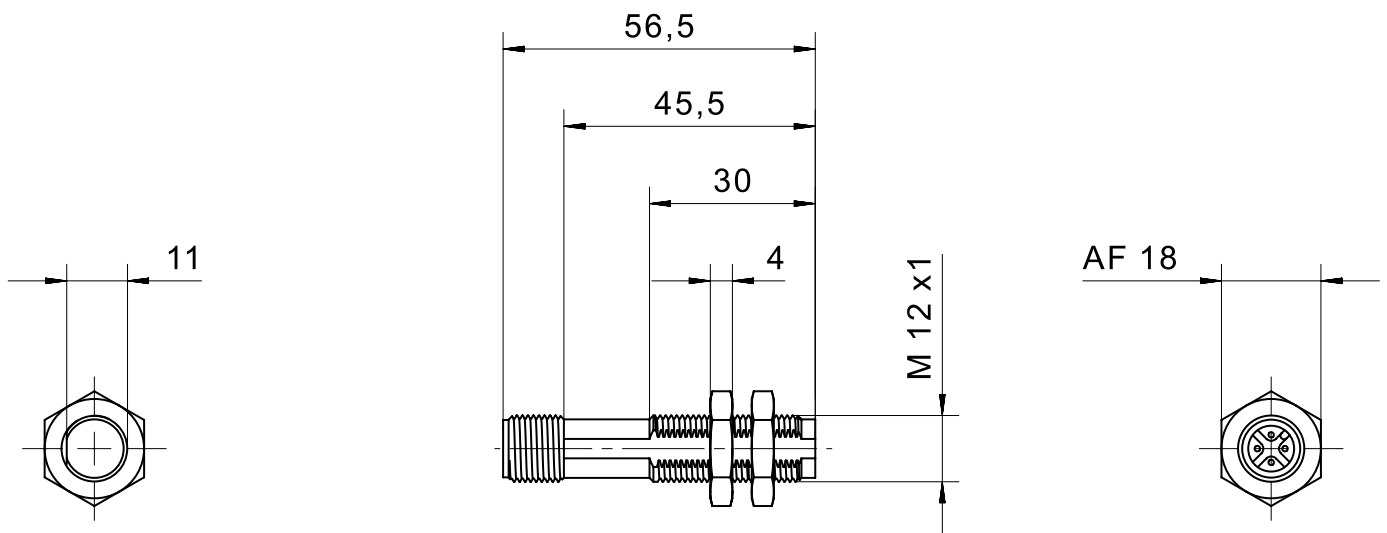
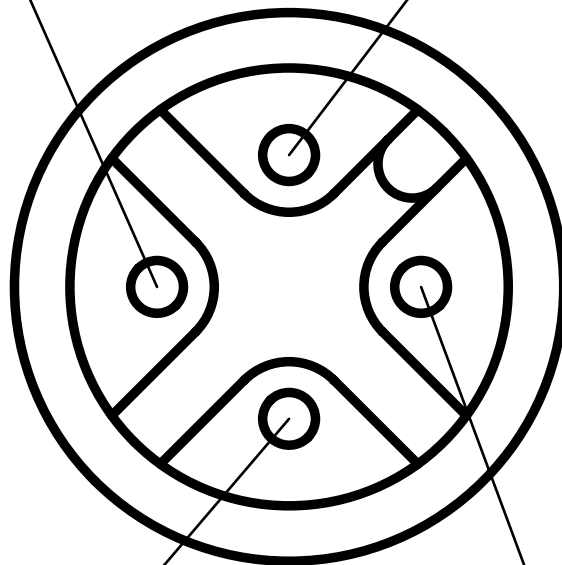


IMAGE 2/3

# male M12

3

2

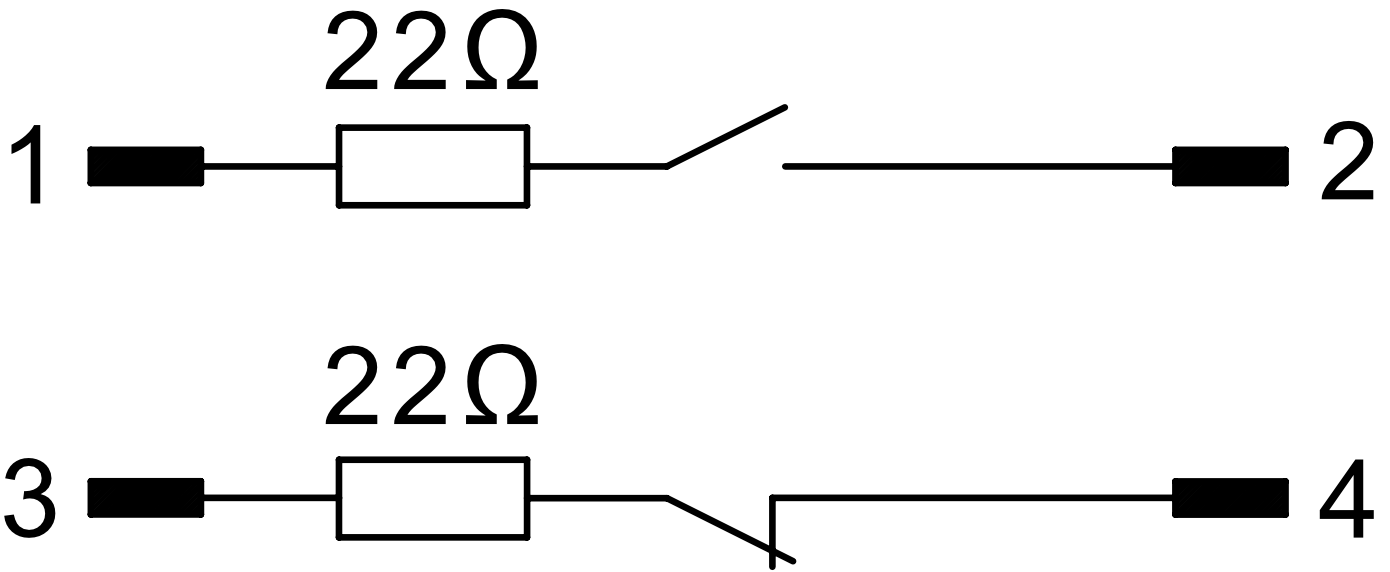


4

1

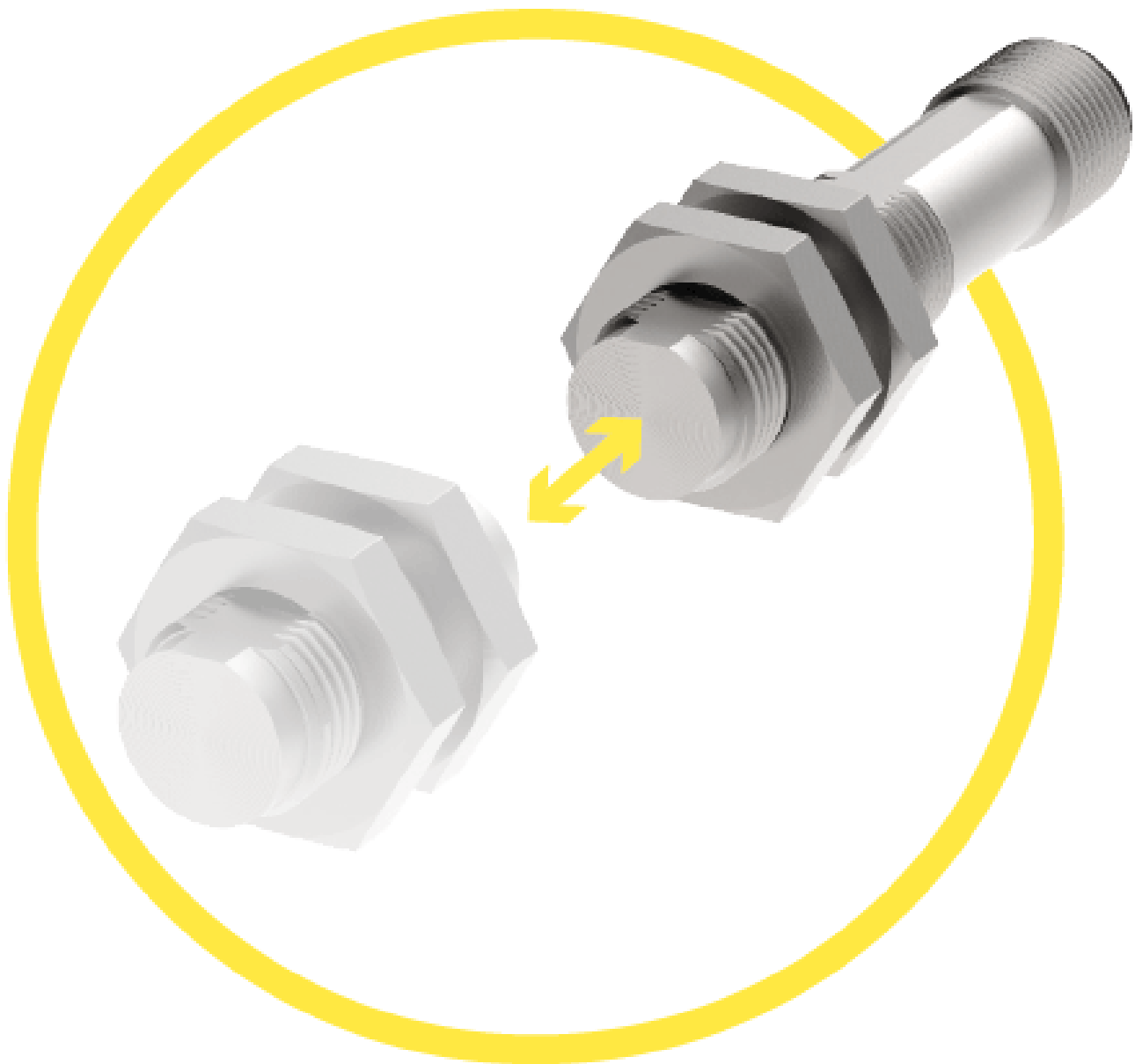
IMAGE 3/3

# 122MSV10G1G



Product options

IMAGE 1/2



**Suitable for front actuation. Offset with magnet systems  
122 MBV 100: max. 5 mm. Operating distance (Sao) from  
5 to 9.5 mm. Assured switch-off distance (Sar) 25 mm**

IMAGE 2/2

### ORDERING KEY

| 122MSV10G1G                  |   |
|------------------------------|---|
| Stainless steel housing M12  | x |
| M12x1 plug connection, 4-pin | x |
| N.O./N.C. contacts           | x |
| Coded                        | x |
| Uncoded                      | - |

### MATCHING ACTUATORS

| Actuators          | Actuation direction | 120V62V          |                 |                 |
|--------------------|---------------------|------------------|-----------------|-----------------|
|                    |                     | S <sub>min</sub> | S <sub>ao</sub> | S <sub>ar</sub> |
| <b>122 MBV 100</b> | Front               | 0.5              | 9.5             | 25              |

S<sub>min</sub> = minimum switching distance (mm), S<sub>ao</sub> = operating distance (mm), S<sub>ar</sub> = assured switch-off distance (mm)

## Article characteristics

| Attribute                           | 122MSV10G1G       |
|-------------------------------------|-------------------|
| Min. switching voltage              | 19.2 V DC         |
| Max. switching voltage              | 28.8 V DC         |
| Max. switching current              | 0.1 A             |
| Max. switching power                | 3 W               |
| Switching frequency                 | 5 Hz              |
| Assured switching distance (Sao)    | 9.5 mm            |
| Assured switch-off distance (Sar)   | 25 mm             |
| Minimum switching distance (S0 min) | 0.5 mm            |
| LED display                         | No                |
| Actuation                           | front             |
| Switching principle                 | magnetic          |
| Series resistor                     | 22 Ohm            |
| Technology                          | Reed              |
| Contact form                        | NO/NC             |
| Pollution degree                    | 3                 |
| Protection class                    | III               |
| Coding acc. to EN ISO 14119         | Low               |
| B10d acc. to EN ISO 13849-1         | 20000000          |
| Type acc. to EN ISO 14119           | 4                 |
| Mission time in years               | 20 a              |
| Structure acc. to EN ISO 13849-1    | Two-channel       |
| Housing colour                      | silber            |
| Housing design                      | cylindrical       |
| Dimensions                          | M12 x 55,5 mm     |
| Detent present                      | no                |
| cannot be mounted flush             | yes               |
| Housing material                    | Edelstahl         |
| Nut material                        | Edelstahl         |
| Protection class                    | IP68 DIN EN 60529 |
| Protection class, connector         | IP68 DIN EN 60529 |
| Operating temperature min.          | -25 °C            |

| Attribute                   | 122MSV10G1G     |
|-----------------------------|-----------------|
| Max. operating temperature  | 80 °C           |
| Shock resistance (Norm)     | 30g / 11ms      |
| Vibration resistance (Norm) | 10 - 55Hz       |
| Min. storage temperature    | -25 °C          |
| Max. storage temperature    | 80 °C           |
| Mounting type               | Fastening nut   |
| Thread                      | M12             |
| Connector type              | M12x1 - 4 polig |
| CE label                    | yes             |
| Possible actuators          | 122MBV100       |