

Contact elements for emergency stop buttons

Matching contact element for every emergency-stop application: The various functions are combined into the contact elements. The functions can be assigned to the corresponding module which is identifiable by its colour.

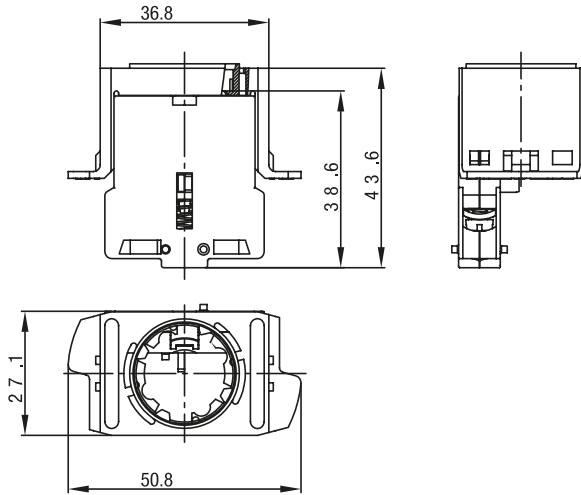
Technical specification

- Preassembled contact elements
- Positively driven safety contacts for switching the emergency-stop function
- Signal contact (N.O. contact) for external diagnosis, e.g. display on the machine control unit
- Failure protection module checks permanent connection of push button and contact element
- Illumination module for push buttons, with LED illumination integrated in the anti-obstruction protective collar

Technical drawing

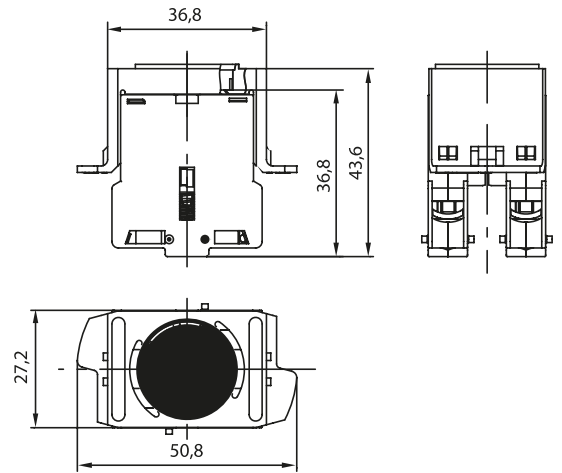
IMAGE 1/3

KE contact element with 1 N.C. contact



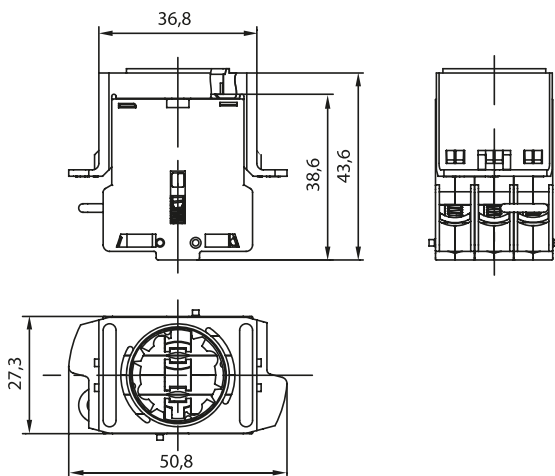
1 x 879901

KE contact element with 2 N.C. contacts



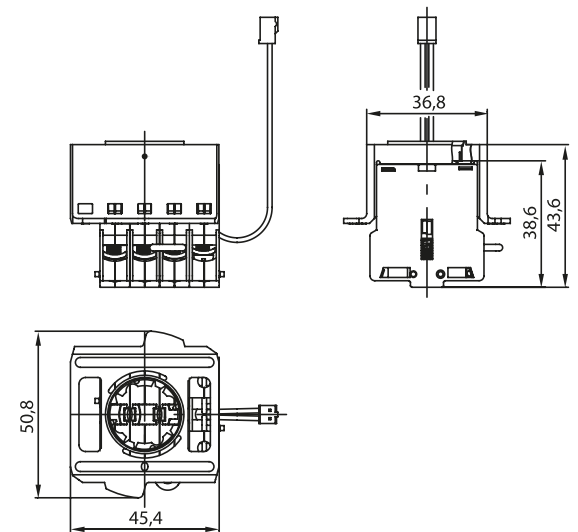
2 x 879901

KE contact element with 2 N.C. contacts / failure protection



2 x 879901
1 x 879902

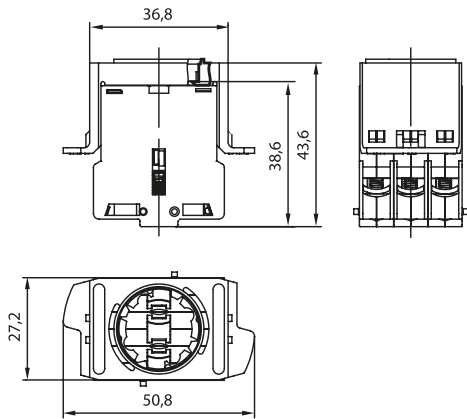
KE contact element with 2 N.C. contacts / failure protection / illumination



2 x 879901
1 x 879902
1 x 879903

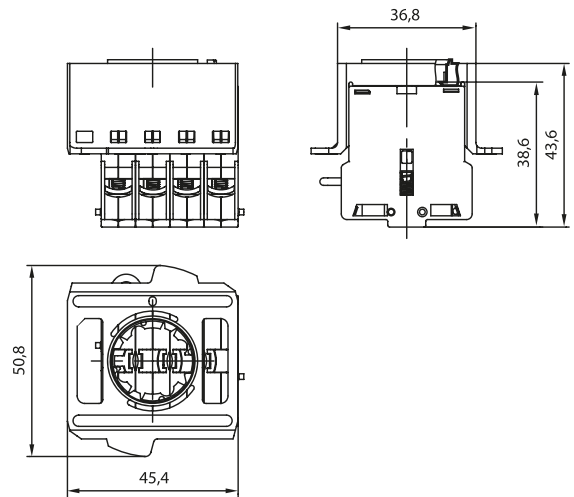
IMAGE 2/3

**KE contact element with 2 N.C. con-
tacts / 1 N.O. contact**



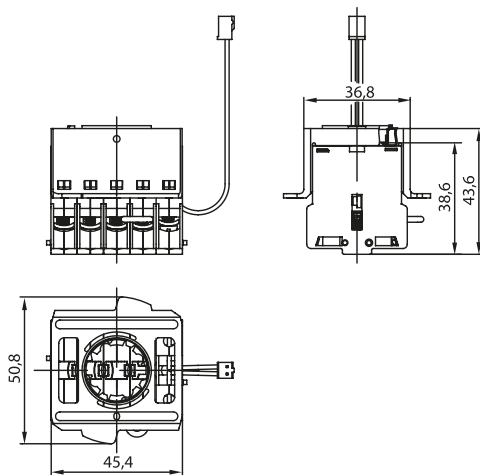
1 x 879900
2 x 879901

**KE contact element with 2 N.C. contacts /
1 N.O. contact / failure protection**



1 x 879900
2 x 879901
1 x 879902

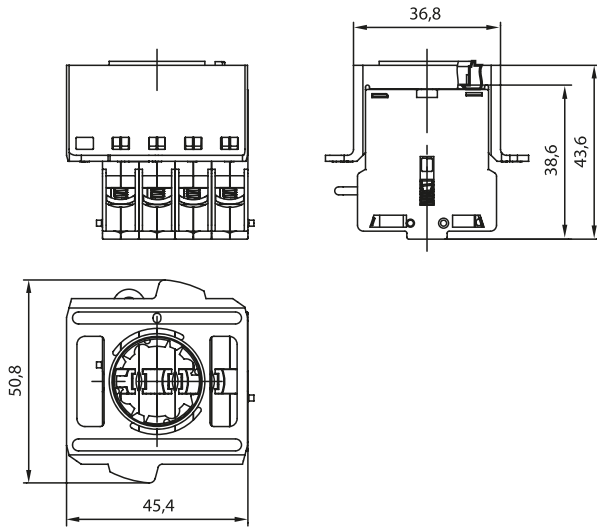
KE contact element with 2 N.C. contacts / 1 N.O. contact / failure protection / illumination



1 x 879900
2 x 879901
1 x 879902
1 x 879903

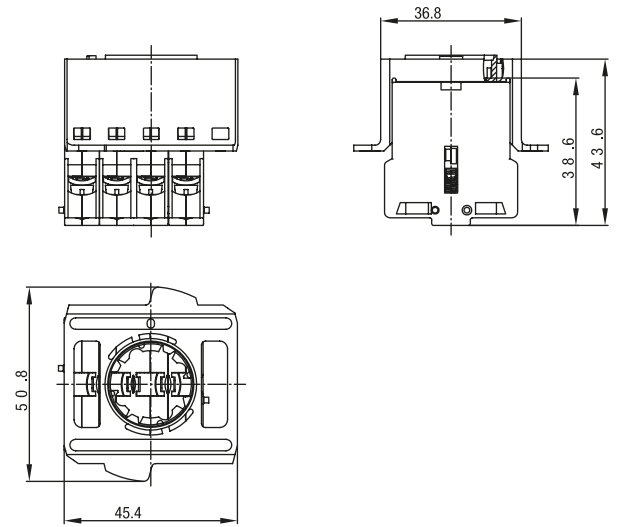
IMAGE 3/3

**KE contact element with 3 N.C. contacts /
failure protection**



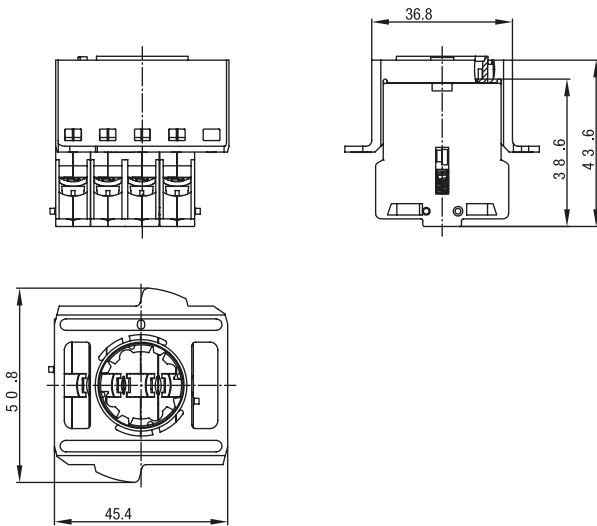
3 x 879901
1 x 879902

**KE contact element with 3 N.C. contacts /
1 N.O. contact**



1 x 879900
3 x 879901

KE contact element with 4 N.C. contacts



4 x 879901

Product options

IMAGE 1/1

ORDERING KEY

KE			Contact element with frame
			Number and type of contact elements
	10		1 N.C.
	20		2 N.C.
	20	SF	2 N.C. / failure protection
	20	SFB	2 N.C. / failure protection / illumination
	21		2 N.C. / 1 N.O.
	21	SF	2 N.C. / 1 N.O. / failure protection
	21	SFB	2 N.C. / 1 N.O. / failure protection / illumination
	30	SF	3 N.C. / failure protection
	31		3 N.C. / 1 N.O.
	40		4 N.C.
			Other contact elements on request