

Actuator 30079

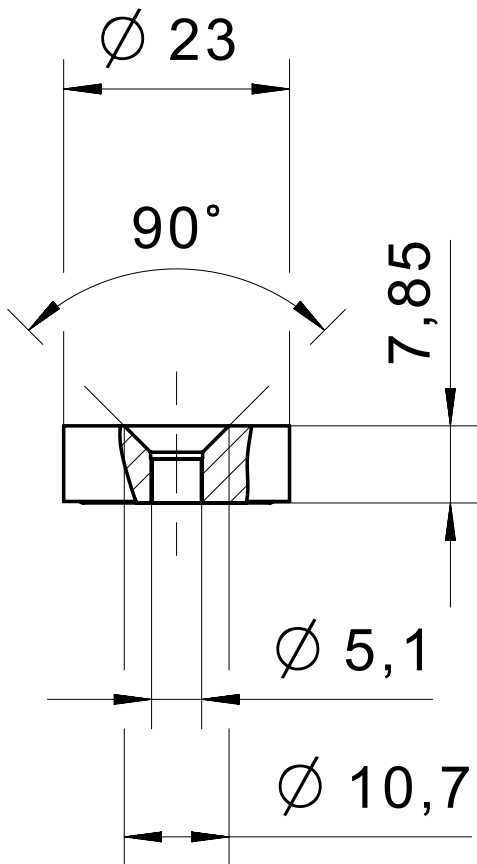
Product characteristics

- Compact, space-saving design
- Available in stainless steel or plastic housing
- Can be used in adverse environmental conditions thanks to the stainless steel housing
- Hygienic design available

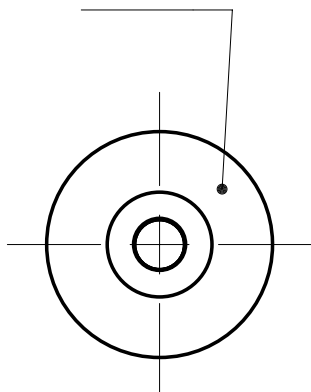
Technical drawing

IMAGE 1/1

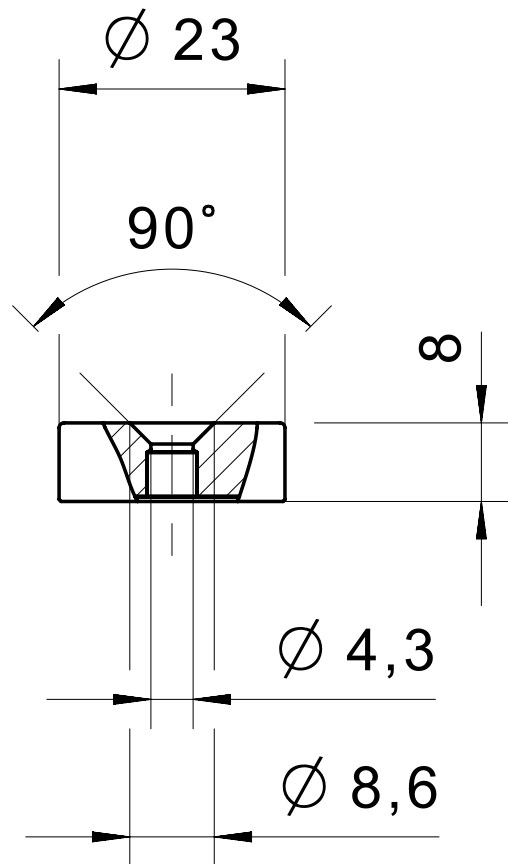
300790
300795



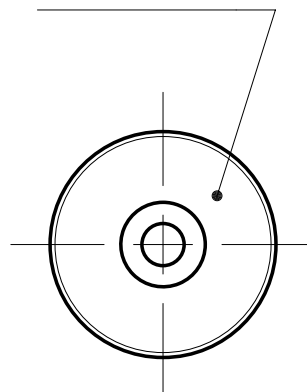
Pa6



300790V
300795V



1.4404



Product options

IMAGE 1/1

ORDERING KEY

300				Actuators
	7			
		90		Magnetic field north
		90	V	Magnetic field north – stainless steel housing
		95		Magnetic field south
		95	V	Magnetic field south – stainless steel housing

Article characteristics

Attribute	300790	300790V	300795	300795V	ED300790	ED300790V ▶
Coding acc. to EN ISO 14119	Low					-
Suitable for sensor type(s)	120..1 / 122					-
Dimensions	Ø 23 / H=8					-
Housing material	PA 6	1.4404	PA 6	1.4404		-
Housing colour	rot	silber	grün	silber		-
Mounting type	Screw					-

Attribute	ED300795	ED300795V
Coding acc. to EN ISO 14119		-
Suitable for sensor type(s)		-
Dimensions		-
Housing material		-
Housing colour		-
Mounting type		-