



## Actuator 30420000

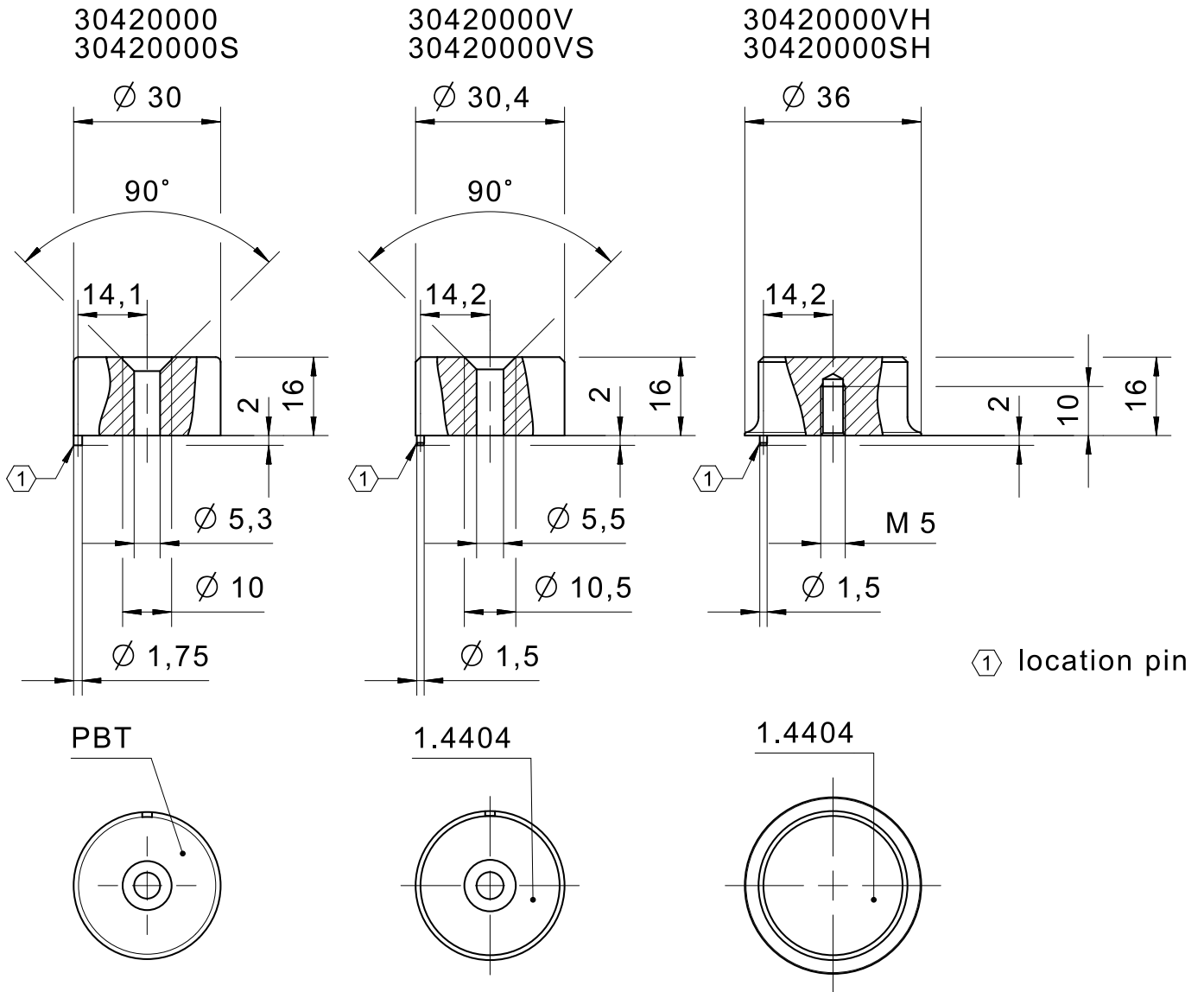
The 30420000 actuator is for use with the 120..2, 171 and 671 safety sensors and is suitable for a wide range of applications.

### Product characteristics

- Designs and materials for a wide range of applications
- Can be used in adverse environmental conditions thanks to the stainless steel housing
- Hygienic design available
- Standard actuator or reinforced actuator for larger switching distances available
- Concealed mounting possible
- Available in PTB plastic and stainless steel 1.4404

Technical drawing

IMAGE 1/1



**Product options**

IMAGE 1/1

**ORDERING KEY**

<b>304 200 00</b>			
	<b>S</b>		<b>Increased switching distance - plastic</b>
	<b>V</b>		<b>Standard – stainless steel</b>
	<b>V</b>	<b>S</b>	<b>Increased switching distance - stainless steel</b>
	<b>V</b>	<b>H</b>	<b>Standard - stainless steel hygienic version</b>
	<b>S</b>	<b>H</b>	<b>Increased switching distance - stainless steel hygienic version</b>

Article characteristics

Attribute	30420000	30420000S	30420000SH	30420000V	30420000VH	30420000VS ▶
Coding acc. to EN ISO 14119	Low					
Suitable for sensor type(s)	171 / 671 / 120..2 / 171K / 117					
Dimensions	30x16		36x16	30.4x16	36x16	30.4x16
Housing material	PBT	1.4404				
Housing colour	schwarz	silber				
Mounting type	screwed					

Attribute	ED30420000	ED30420000S	ED30420000SH	ED30420000V	ED30420000VH	ED30420000VS
Coding acc. to EN ISO 14119	-					
Suitable for sensor type(s)	-					
Dimensions	-					
Housing material	-					
Housing colour	-					
Mounting type	-					