



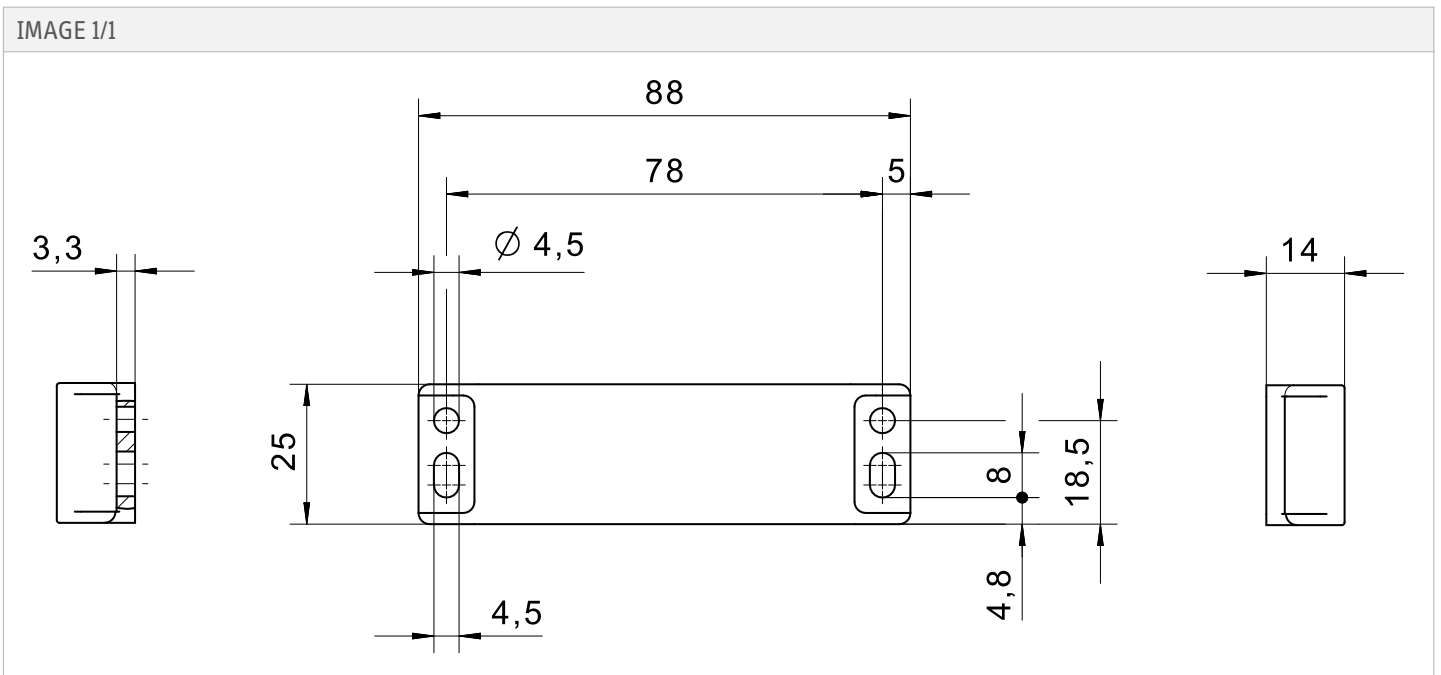
Actuator 3042611

The magnetic actuator fits the safety sensors of design 165.

Technical specifications

- Standard actuator or reinforced actuator for larger switching distances available

Technical drawing



Article characteristics

Attribute	30426112	30426112S	30426112PC	30426112SPC	ED30426112	ED30426112PC ▶
Suitable for sensor type(s)	siehe Datenblatt					-
Dimensions	88x25x14					-
Housing material	PBT					-
Housing colour	Schwarz		Gelb			-
Mounting type	screwed					-

Attribute	ED30426112S	ED30426112SPC
Suitable for sensor type(s)		-
Dimensions		-
Housing material		-
Housing colour		-
Mounting type		-