

Actuator 30426112V

The 30426112V actuator is for use with the 165...V safety sensors.

Product characteristics

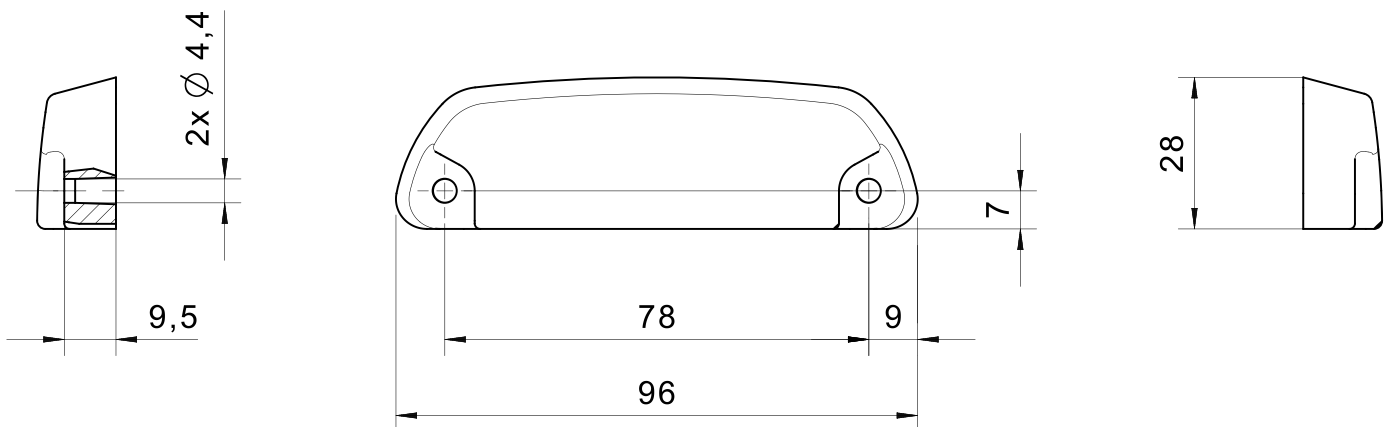
- Can be used in adverse environmental conditions thanks to the stainless steel housing

Technical drawing

IMAGE 1/1

304 261 12 V
304 261 12 VS (increased switching distance)

for 165 ... series V



Product options

IMAGE 1/1

ORDERING KEY

304 261 12			
	V		Standard
	V	S	Increased switching distance

Article characteristics

Attribute	30426112V	30426112VS	30426112	30426112S	30426112PC	30426112SPC ▶
Coding acc. to EN ISO 14119	Low		-			
Suitable for sensor type(s)	165...V		siehe Datenblatt			
Dimensions	96x28x14.5		88x25x14			
Housing material	Stahlguss		PBT			
Housing colour	-		Schwarz		Gelb	
Mounting type	screwed					

Attribute	ED30426112	ED30426112PC	ED30426112S	ED30426112SPC	ED30426112V	ED30426112VS
Coding acc. to EN ISO 14119	-					
Suitable for sensor type(s)	-					
Dimensions	-					
Housing material	-					
Housing colour	-					
Mounting type	-					