



Adapter 350AGA2K

Product characteristics

- For simple connection of M12 connectors to M8 connectors

Technical drawing

IMAGE 1/3

350AGA2K01

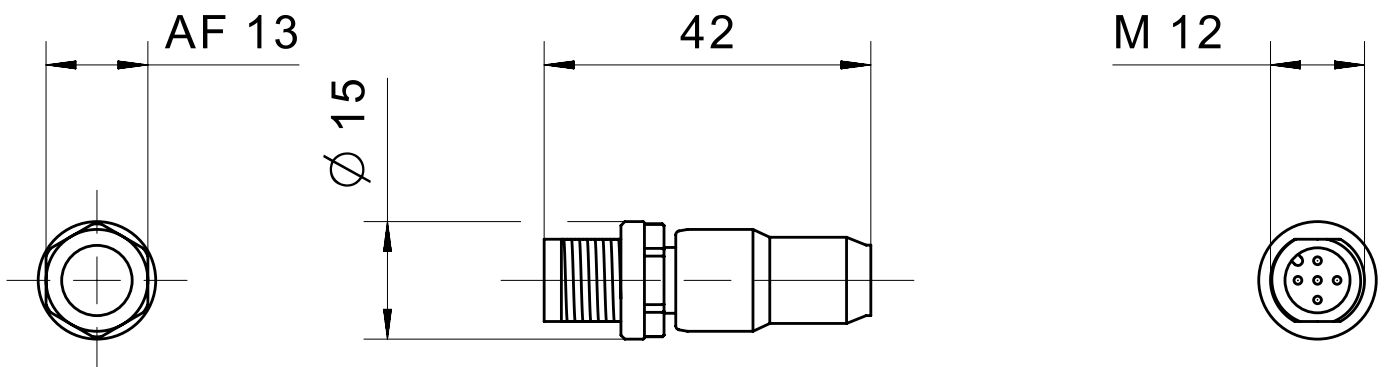
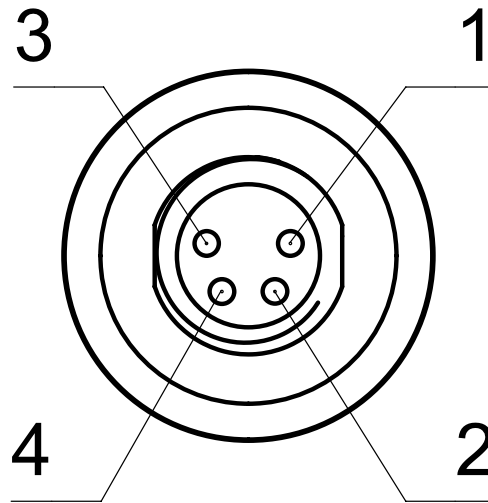


IMAGE 2/3

male M8



female M12

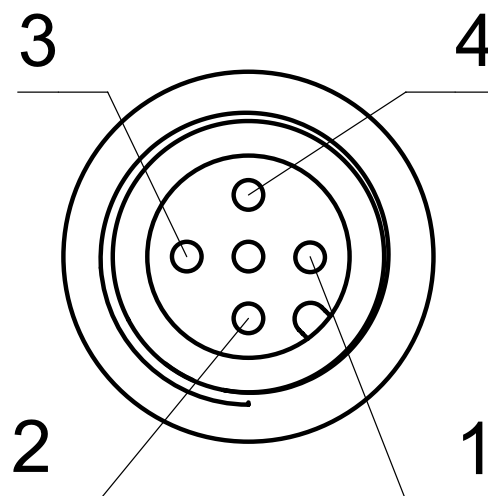
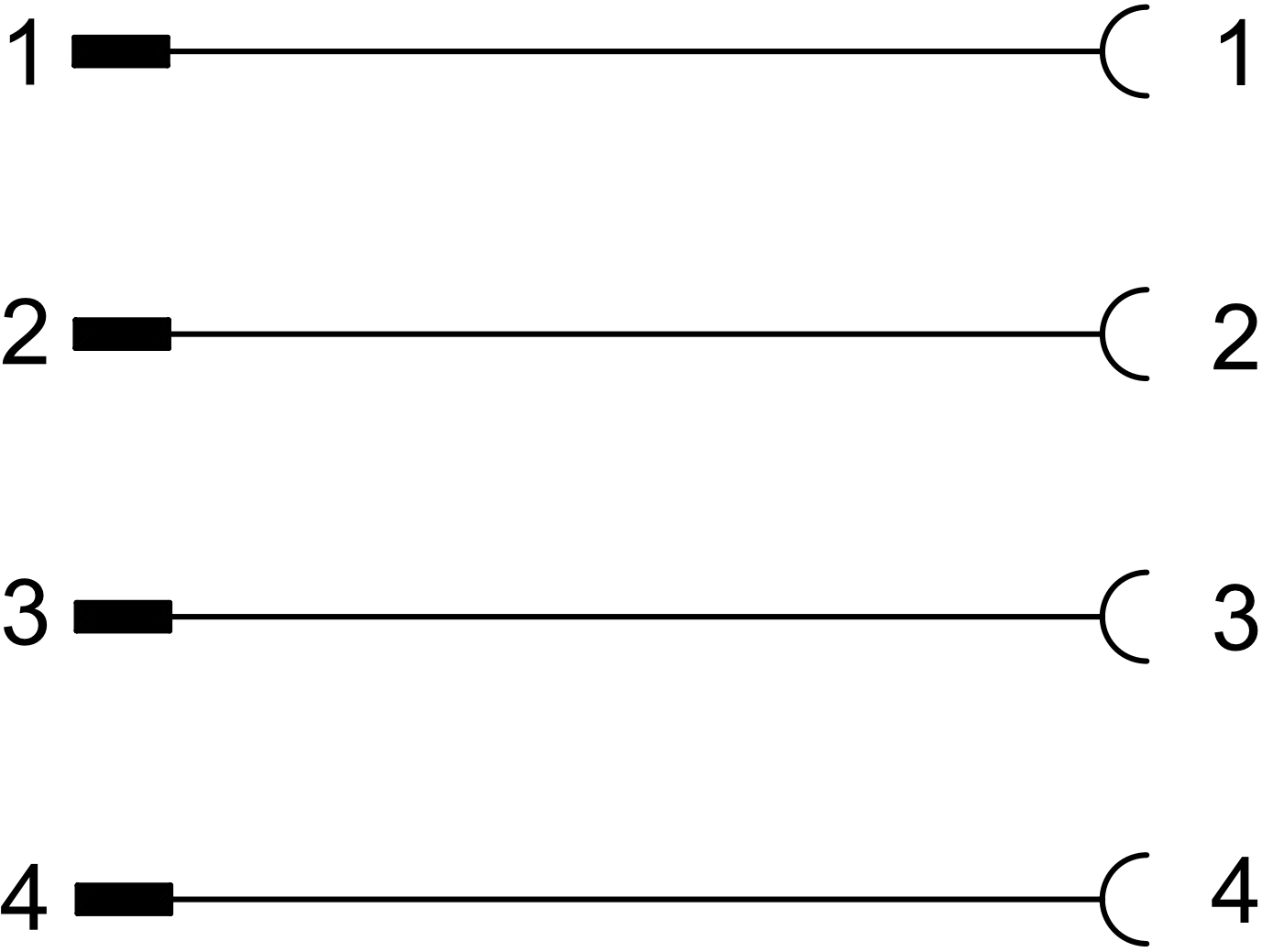


IMAGE 3/3



Article characteristics

Attribute	350AGA2K	ED350AGA2K
Max. switching current per contact	4 A	-
Rated impulse withstand voltage (Uimp)	800 V	-
Pollution degree	3	-
Operating voltage max.	24 V DC	-
Operating voltage max.	24 V AC	-
Nut material	PA	-
Overmould material	PA	-
Protection class, connector	IP67 DIN EN 60529	-
Operating temperature min.	-25 °C	-
Max. operating temperature	85 °C	-
Min. storage temperature	-25 °C	-
Max. storage temperature	85 °C	-
Torque for nuts	0,6 (M12), 0,4 (M8) N m	-
Weight	15 g	-
Connector type	M12 Buchse gerade / M8 Stecker gerade	-
Connection type	geschraubt / gesteckt	-
Number of pins	4	-