



Connection cable K5.G

Product characteristics

- Preassembled connection cable sets
- Straight and angled versions available
- • M12 connector and socket, compatible with all sensors and T-connectors with 4-pin/8-pin circular connector and M12 thread
- High protection class
- Various cable lengths available

Technical drawing

IMAGE 1/9

K54G00.K

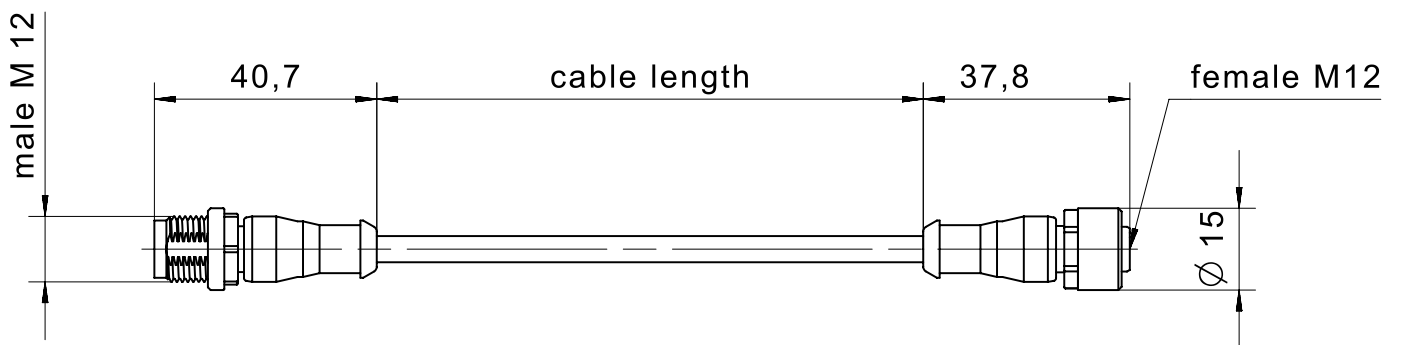
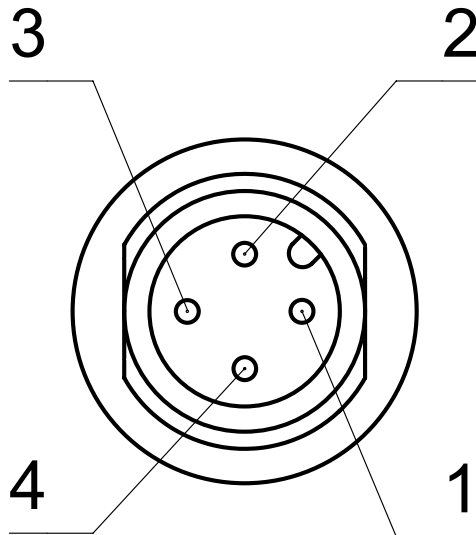


IMAGE 2/9

male M12



female M12

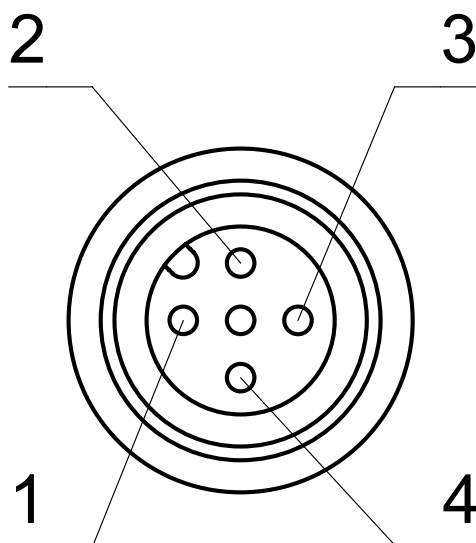


IMAGE 3/9

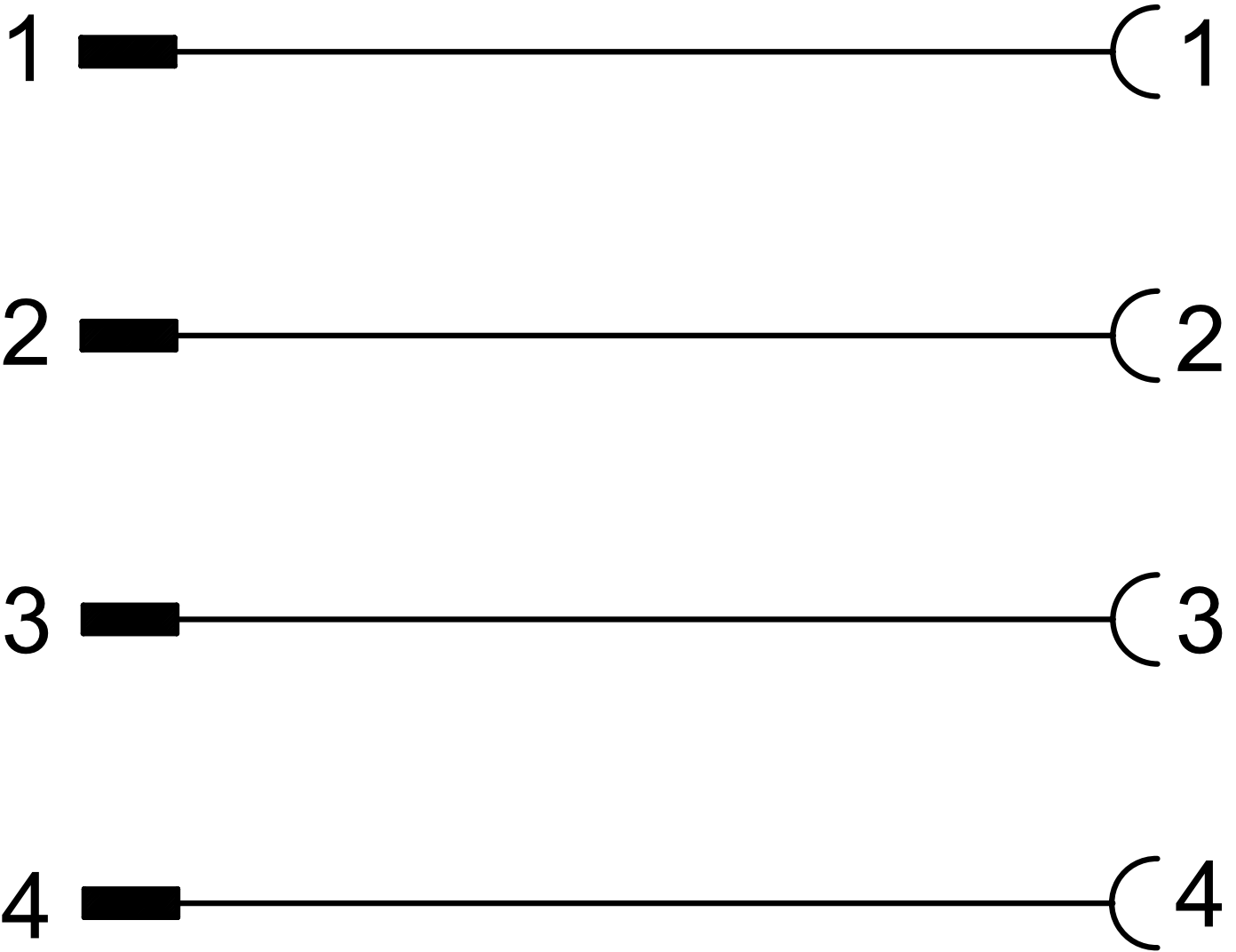


IMAGE 4/9

K58G00.K

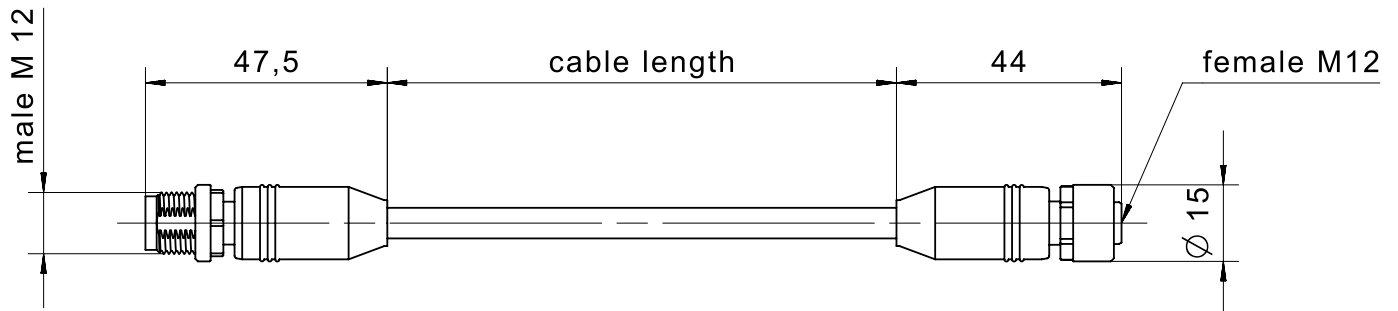
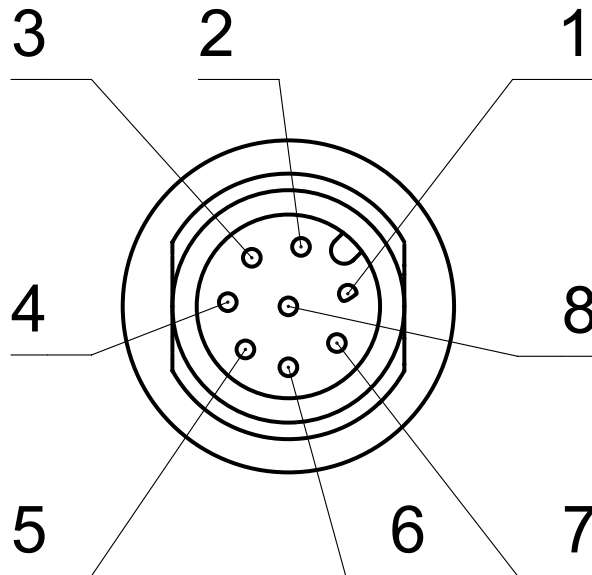


IMAGE 5/9

male M12



female M12

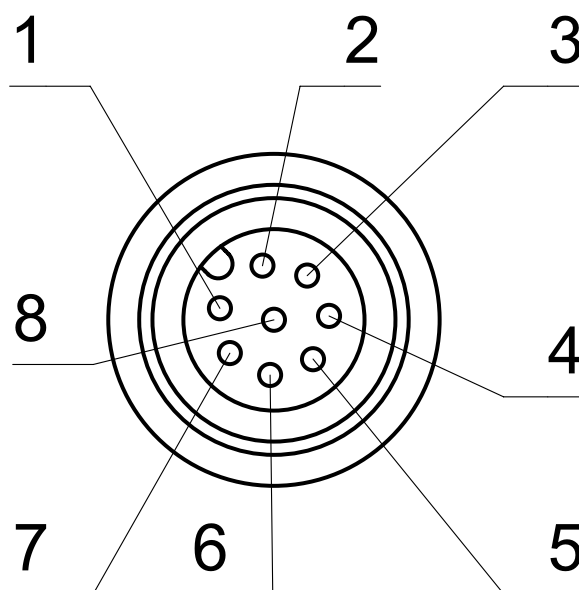


IMAGE 6/9

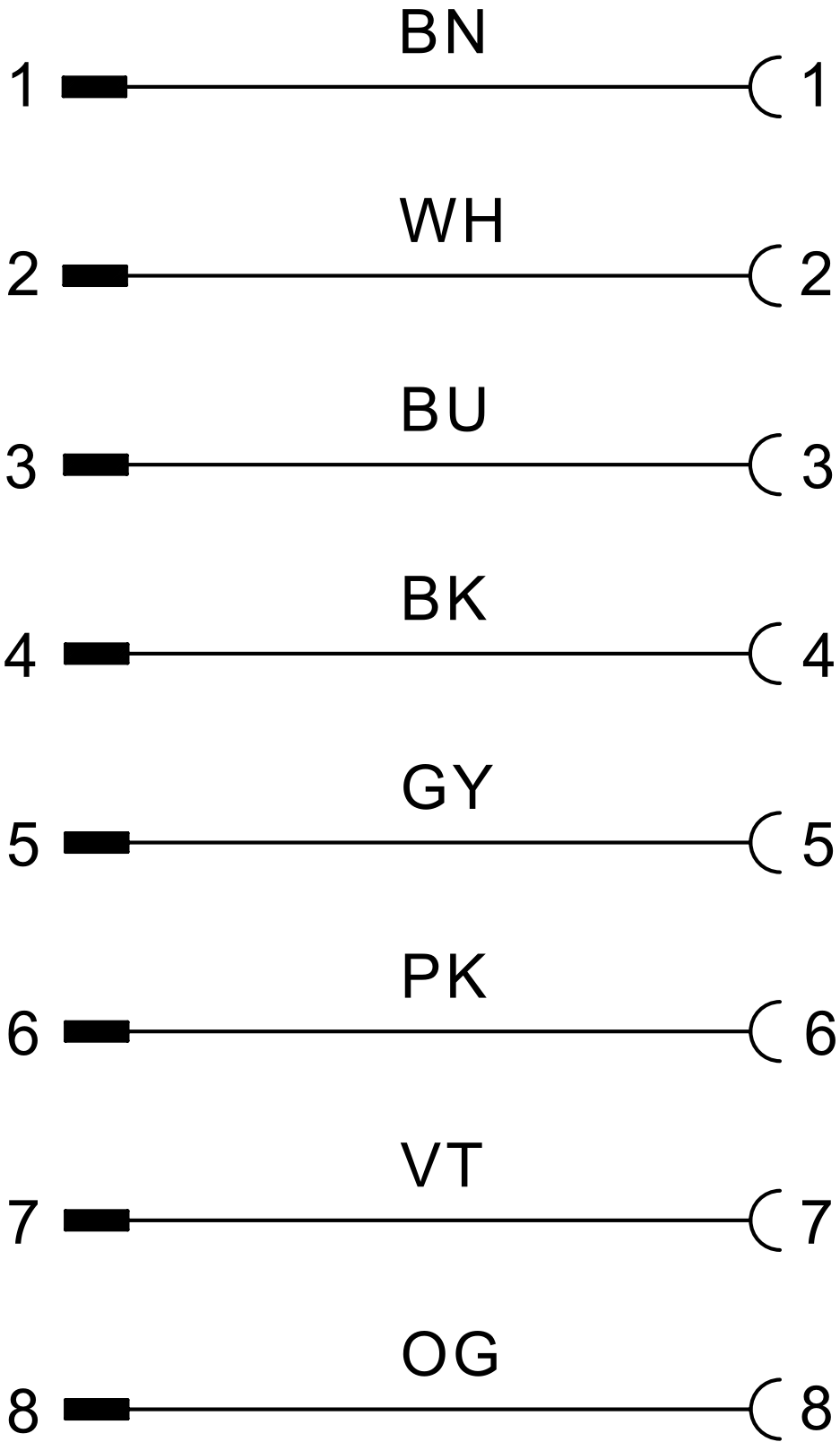


IMAGE 7/9

K55G00.K

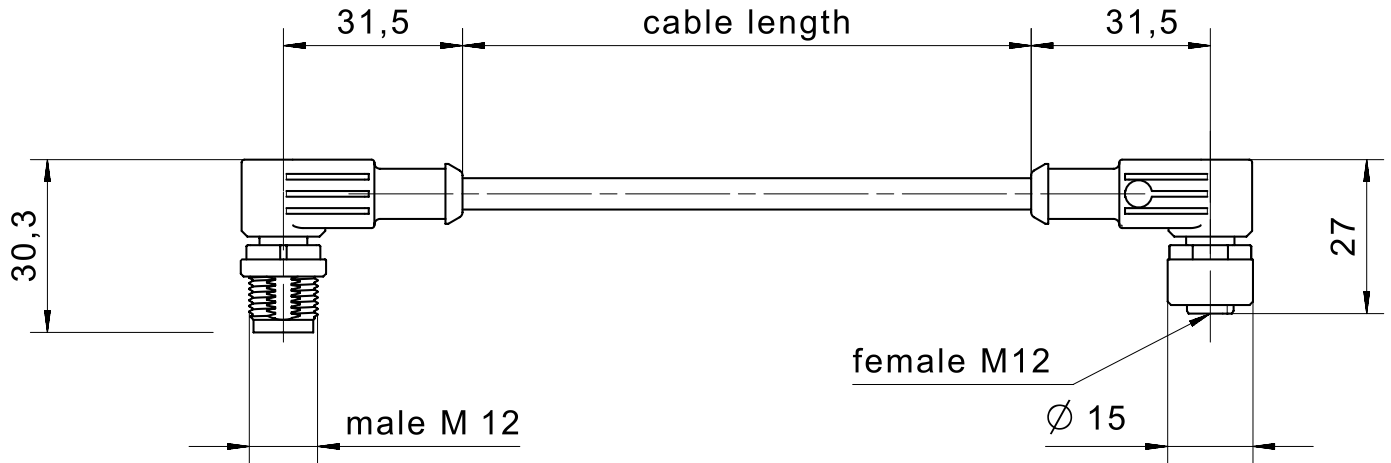
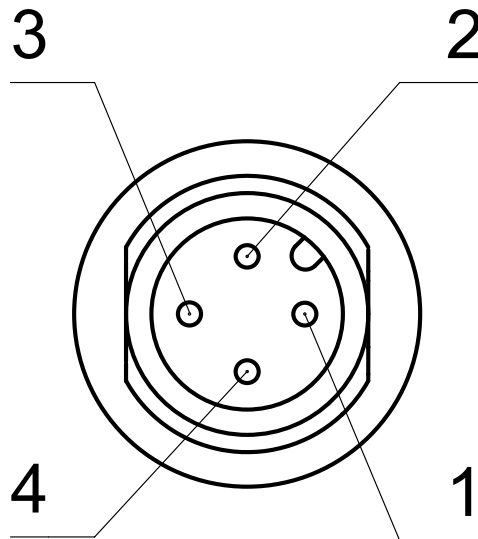


IMAGE 8/9

male M12



female M12

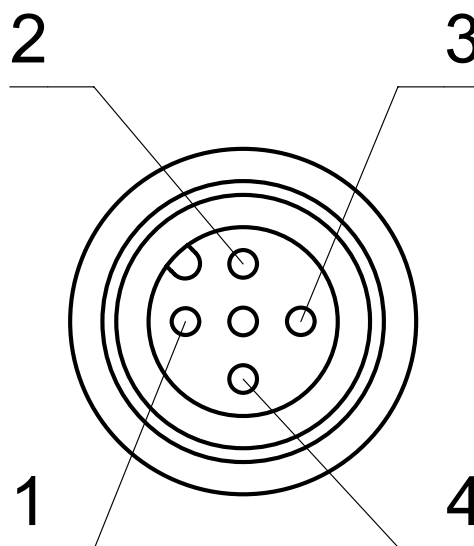
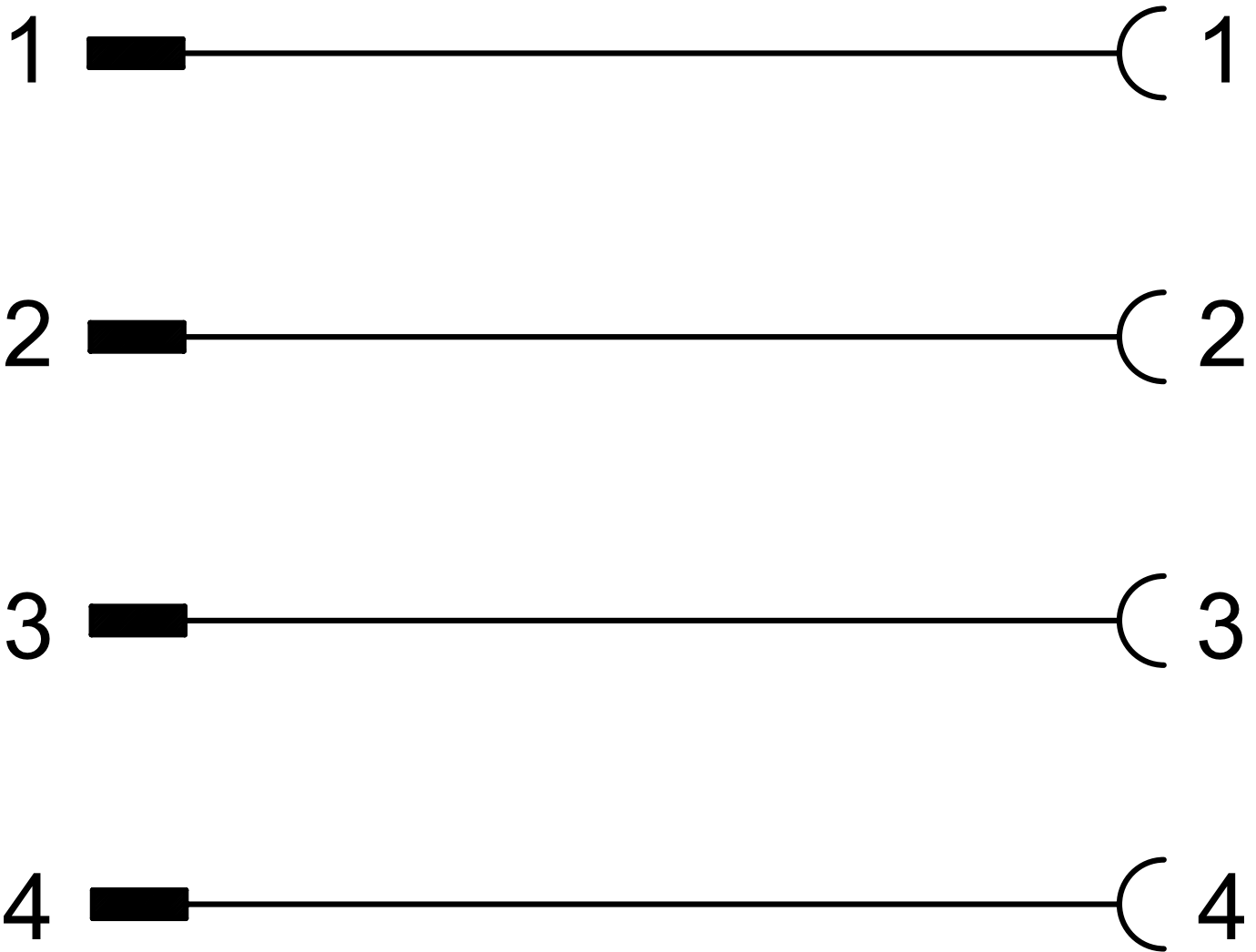


IMAGE 9/9



Product options

IMAGE 1/1

ORDERING KEY

K5	Connection cable sheath material PVC		
4G			4-pin – connector/socket straight
5G			5-pin – connector/socket angled
8G			8-pin – connector/socket straight
	001	K	Cable length 1 m
	003	K	Cable length 3 m
	005	K	Cable length 5 m
	000	K	Cable length 10 m
			Other cable materials and cable lengths on request