



## Coupling socket and coupling connector 35115

### Product characteristics

- Field-attachable connectors and sockets M12, 4-pin
- Flexible cable lengths possible through elf-assembly

### Technical drawing

IMAGE 1/9

351150

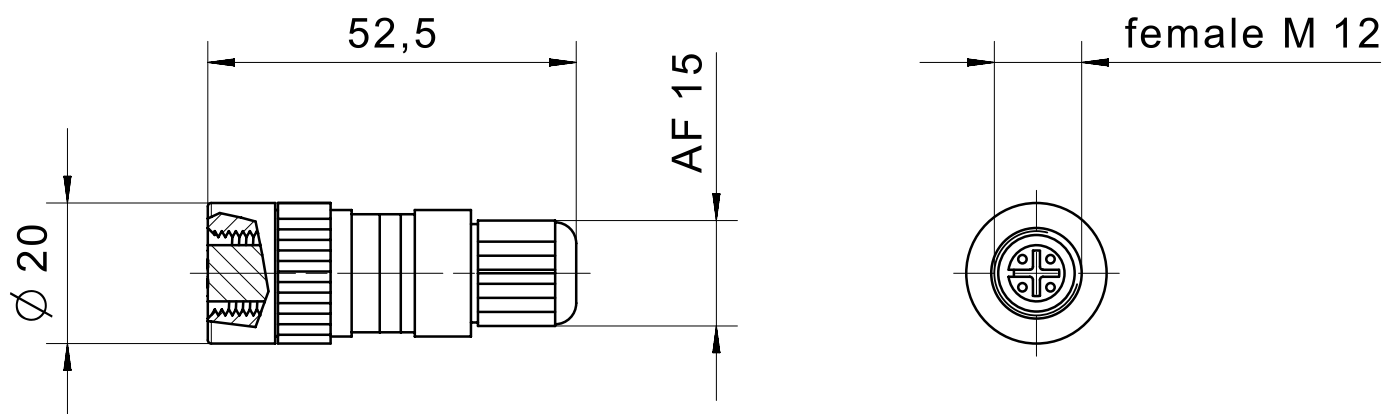


IMAGE 2/9

# female M12

3

4

2

1

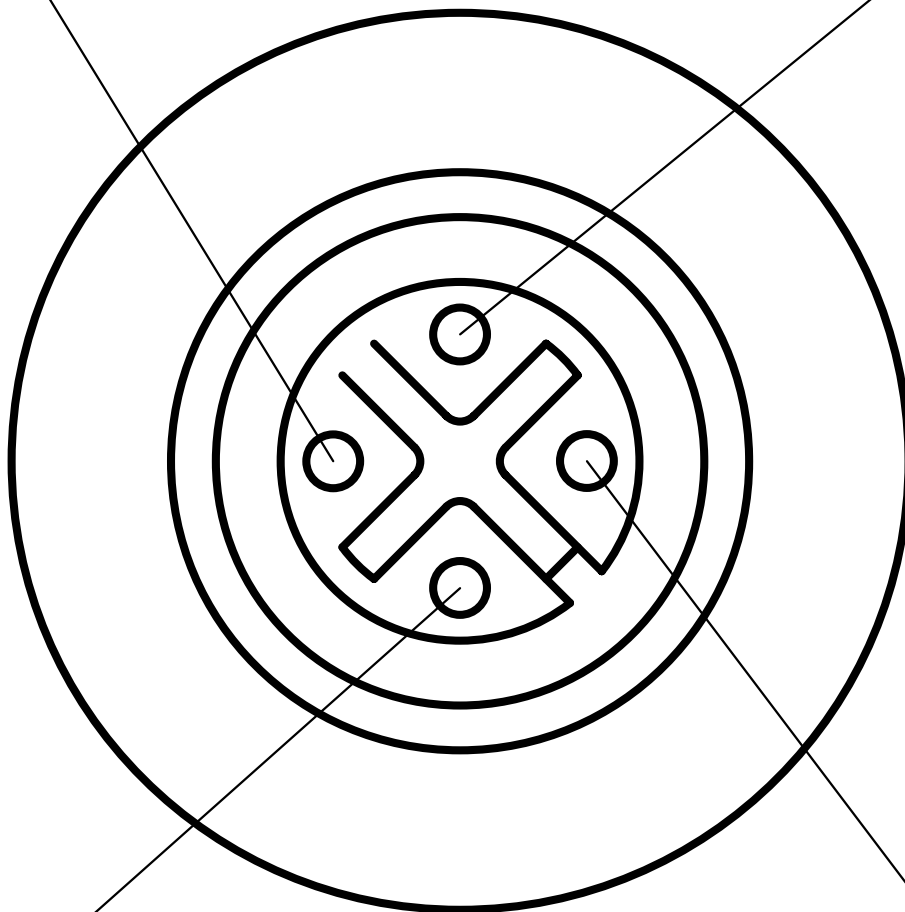


IMAGE 3/9

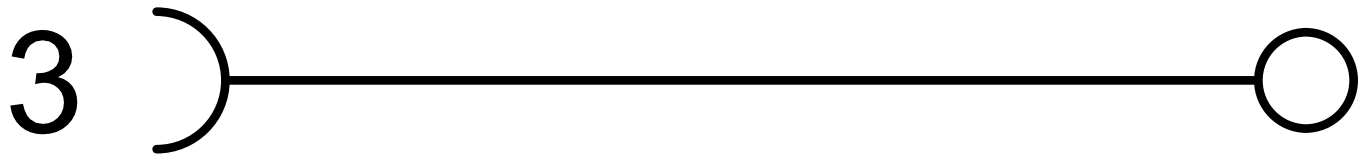
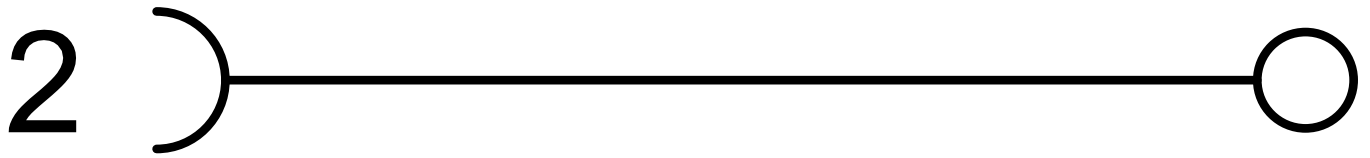
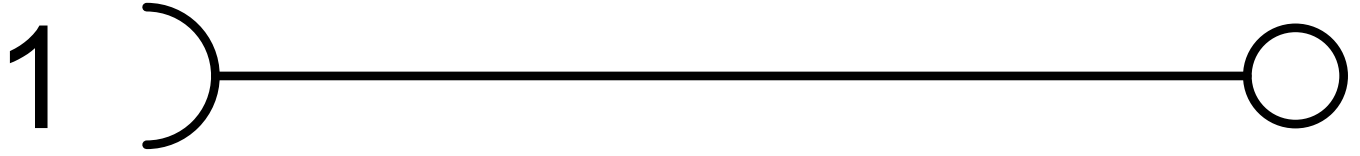


IMAGE 4/9

351151

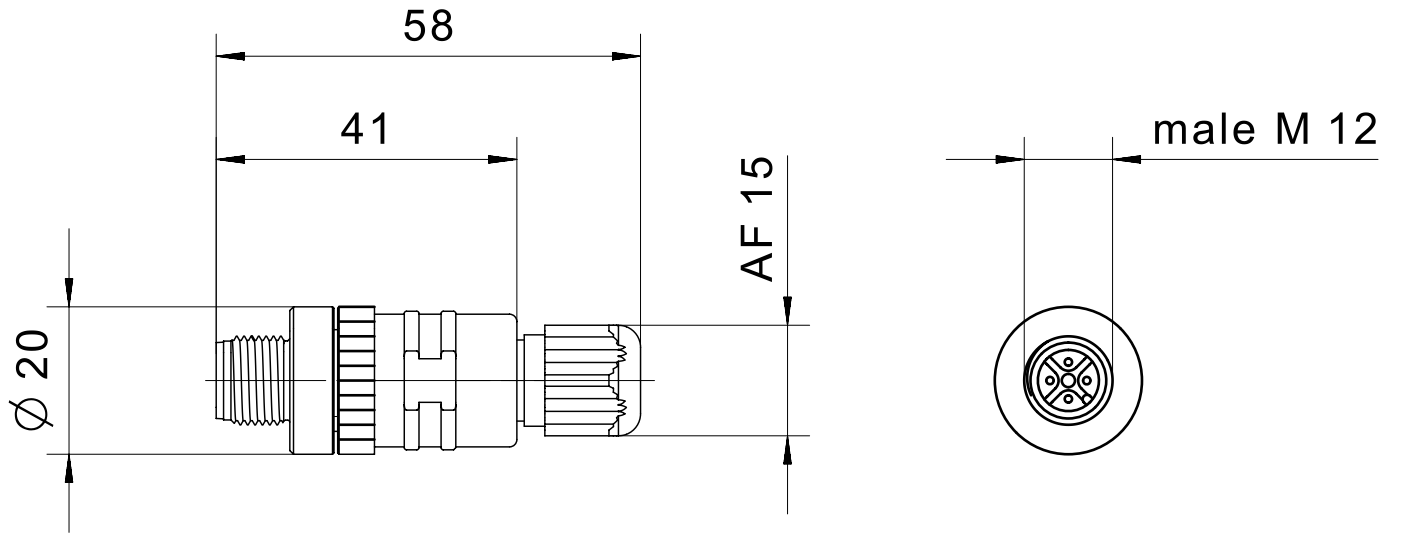
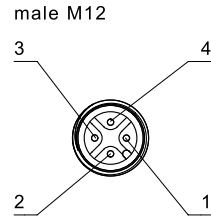


IMAGE 5/9




 Status	Maßstab		Benennung
	Revision	E	Kupplungsdose
	Gepr. Datum	29.03.19	Nummer
	Geprüft	pr1mi	Cat_351151

IMAGE 6/9



IMAGE 7/9

351152

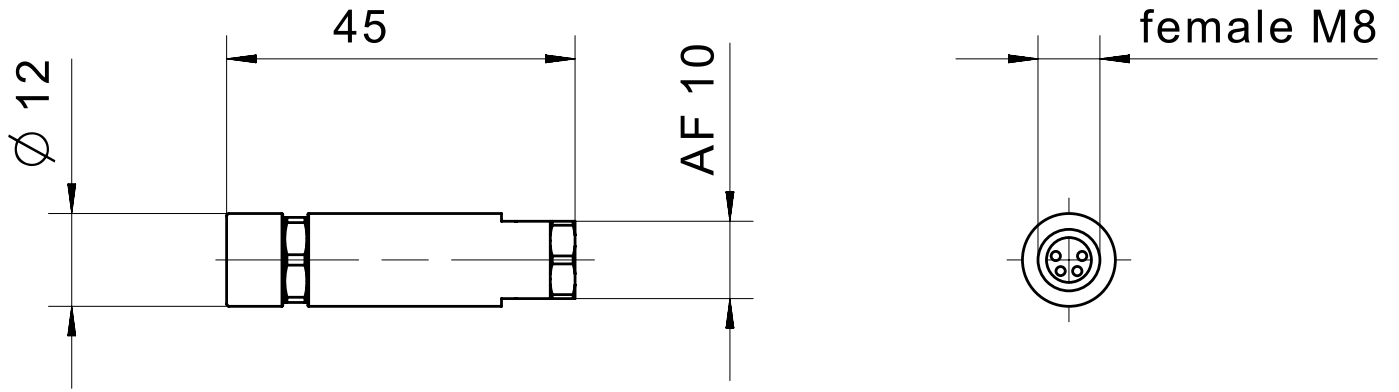


IMAGE 8/9

# female M8

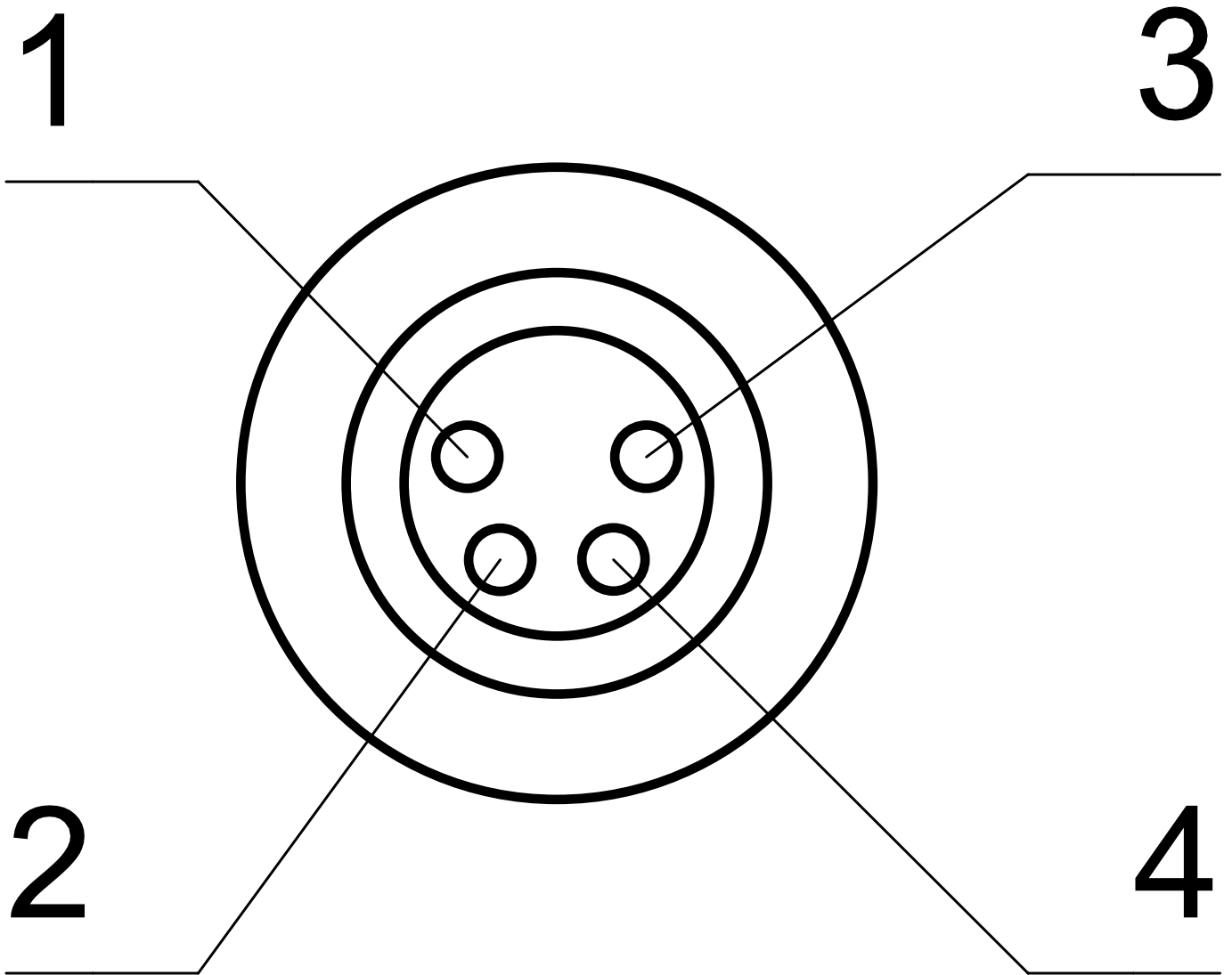
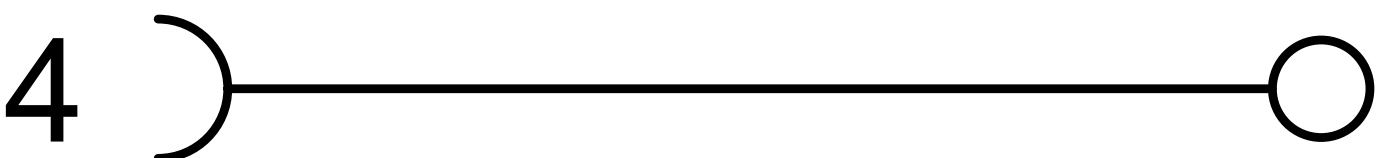
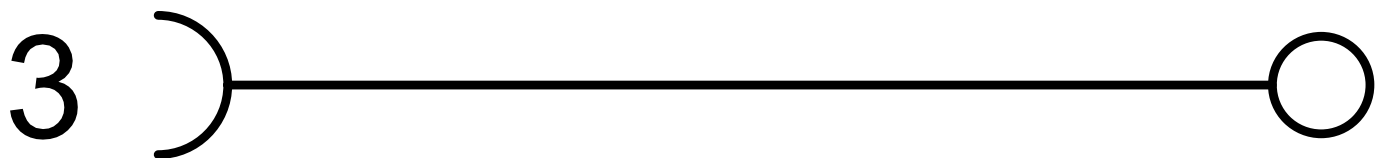
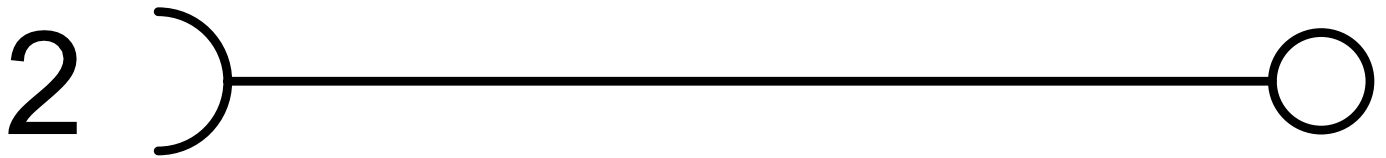


IMAGE 9/9



**Product options**

IMAGE 1/1

**ORDERING KEY**

351		Field-attachable connector
	150	M12 socket
	151	M12 connector
	152	M8 socket
	153	M8 connector

## Article characteristics

Attribute	351150	351151	351152	351153	ED351150	ED351151 ▶
Max. switching current per contact	4 A					-
Rated impulse withstand voltage (Uimp)	2500 V		800 V			-
Pollution degree	3					-
Operating voltage max.	240 V DC					-
Operating voltage max.	240 V AC					-
Nut material	CuZi nickel-plated					-
Overmould material	PA					-
Operating temperature min.	-40 °C					-
Max. operating temperature	85 °C					-
Min. storage temperature	-40 °C					-
Max. storage temperature	85 °C					-
Torque for nuts	0,5 N m					-
Weight	23 g		10 g			-
Connector type	M12 socket, straight	M12 connector, straight	M8 socket, straight	M8 connector, straight		-
Connection type	Screw connection					-
Cable diameter	3 - 6,5 mm		3,5 - 5,5 mm			-
Number of pins	4					-
Min. connection cross section	0.14 mm <sup>2</sup>					-
Max. connection cross section	0.75 mm <sup>2</sup>		0.5 mm <sup>2</sup>			-
Certified in accordance with	UL 2238/CSA22.2					-

Attribute	ED351152	ED351153
Max. switching current per contact		-
Rated impulse withstand voltage (Uimp)		-
Pollution degree		-
Operating voltage max.		-
Operating voltage max.		-
Nut material		-
Overmould material		-
Operating temperature min.		-
Max. operating temperature		-
Min. storage temperature		-
Max. storage temperature		-
Torque for nuts		-
Weight		-
Connector type		-
Connection type		-
Cable diameter		-
Number of pins		-
Min. connection cross section		-
Max. connection cross section		-
Certified in accordance with		-