



## MS installation wrench

torque (calibrated 0,6 Nm)

### Product characteristics

- For simple screw connection of coupling rings on M8/M12 connectors
- Limitation of tightening torque by means of integrated torque lock

### Technical drawing

IMAGE 1/2: MS 02, M8

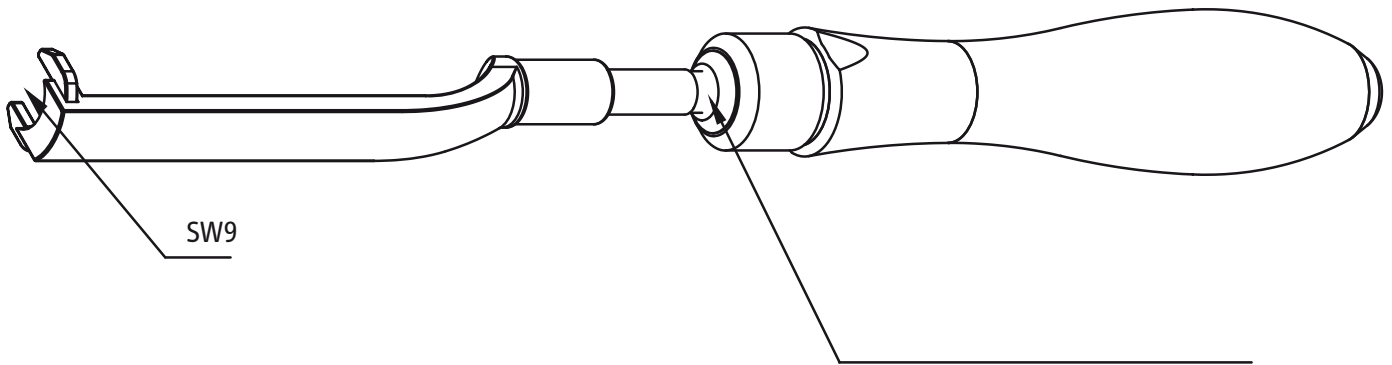
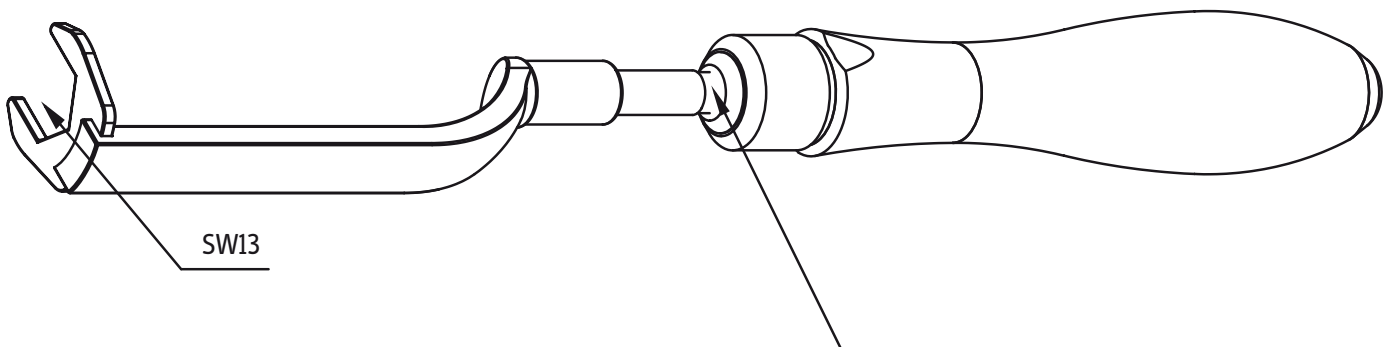


IMAGE 2/2: MS 03, M12



**Product options**

IMAGE 1/1

**ORDERING KEY**

MS		Installation wrench for plug connection
	02	M8
	03	M12