



T-connector 350AT..K

T-connectors simplify the wiring (e.g. series connection) of the eloProtectE RFID safety sensors. Connection examples available from elobau.

Product characteristics

- Simple series connection of eloProtect E sensors RFID
- Pluggable M12 version
- Simplifies wiring efforts

Technical drawing

IMAGE 1/9

350ATC6K

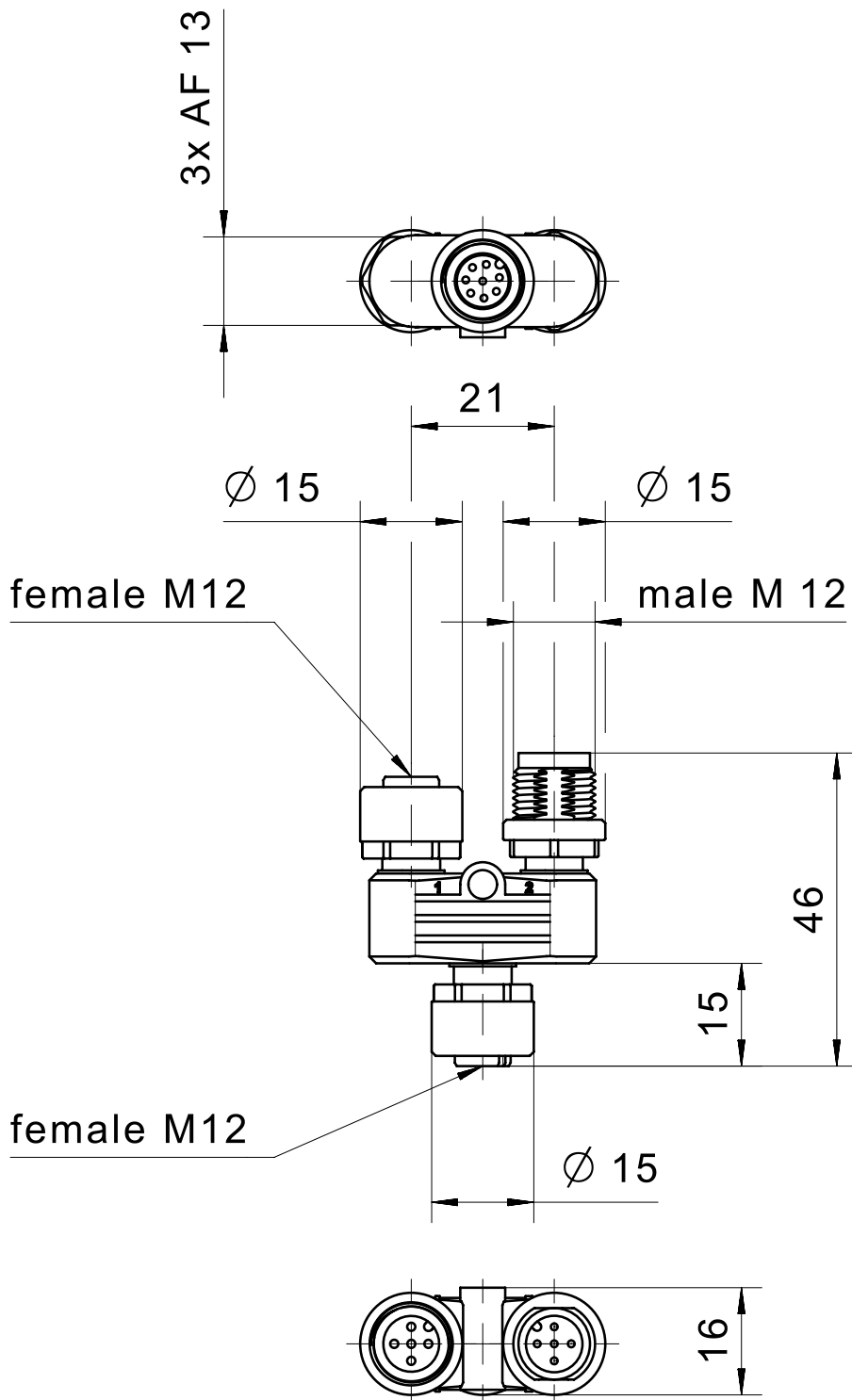
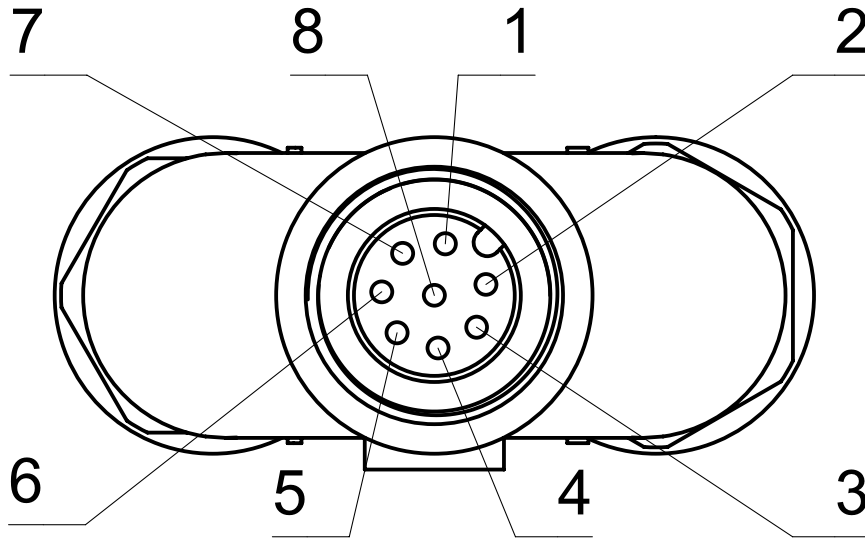


IMAGE 2/9

female M12



female M12

1 2

male M12

2 1

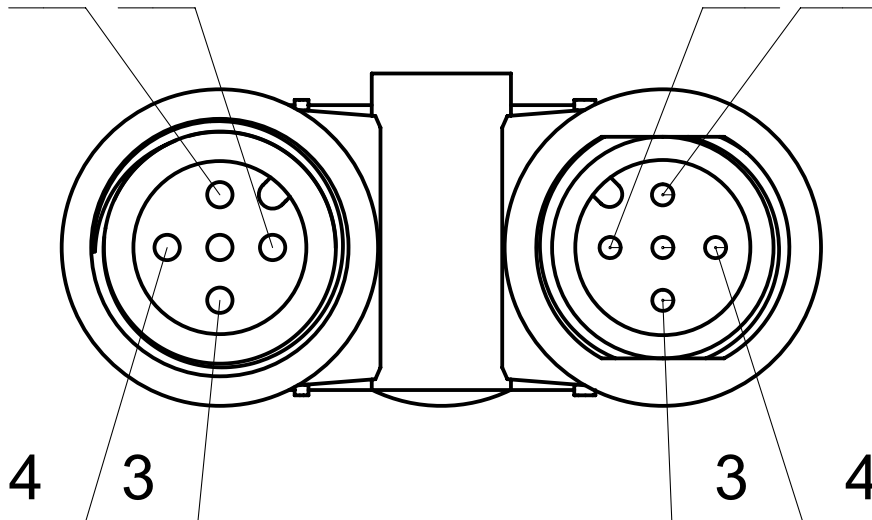


IMAGE 3/9

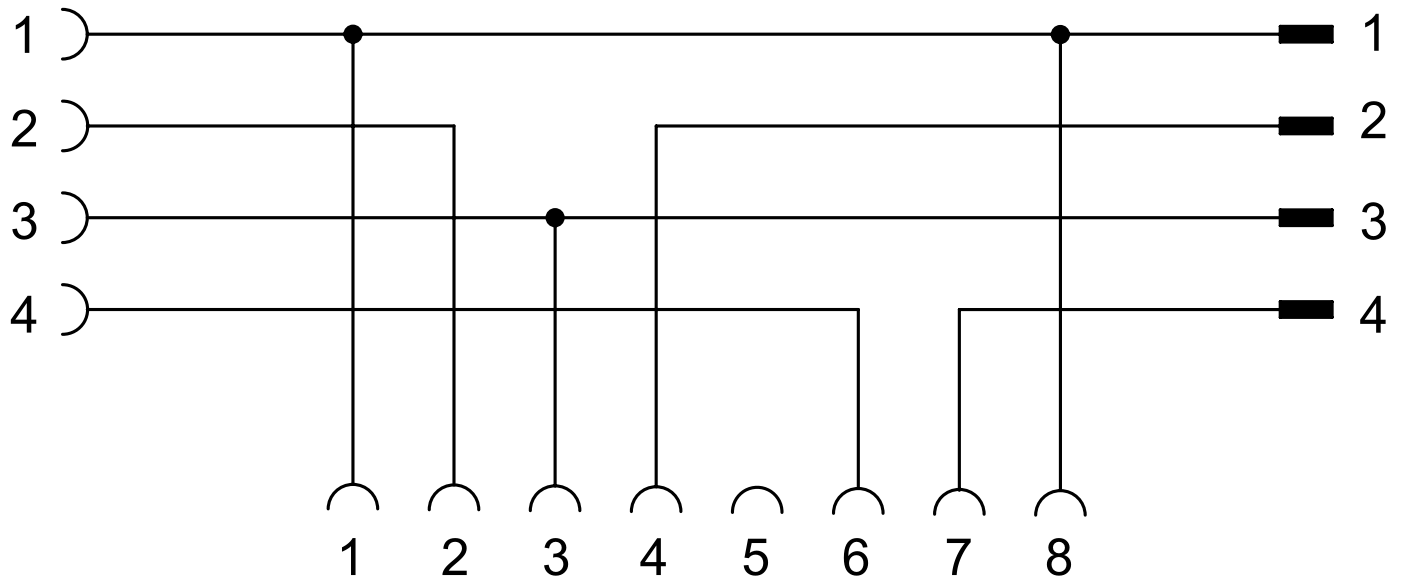


IMAGE 4/9

350ATD7K

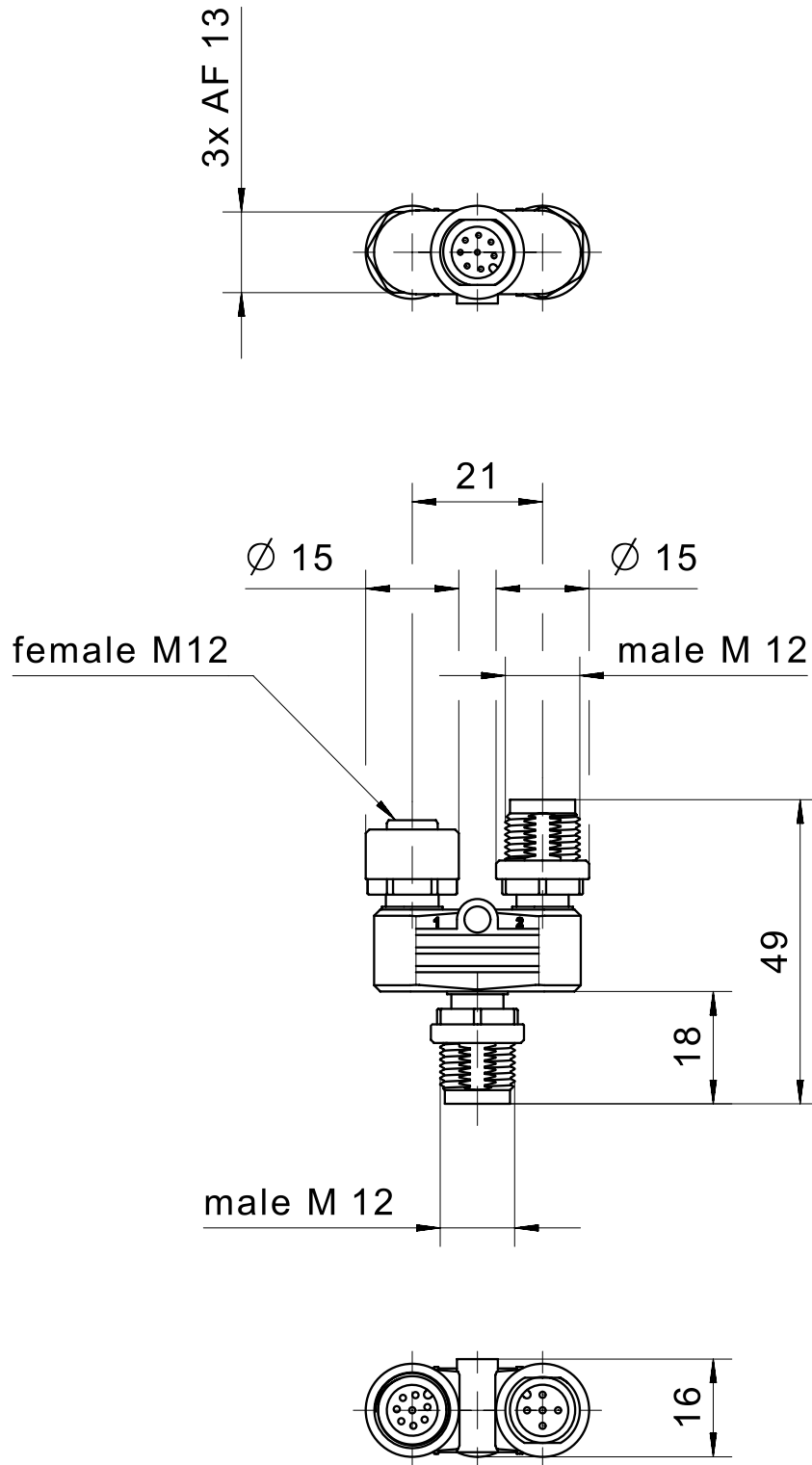
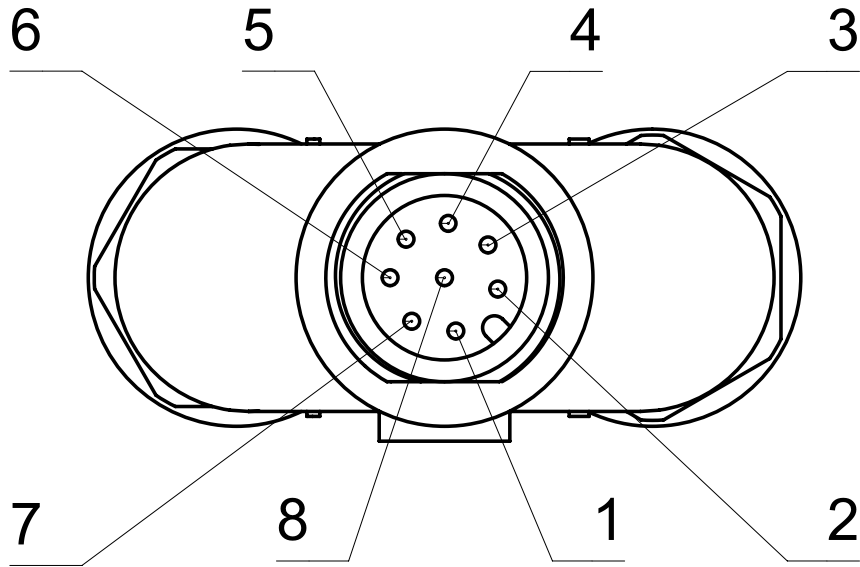


IMAGE 5/9

male M12



female M12

male M12

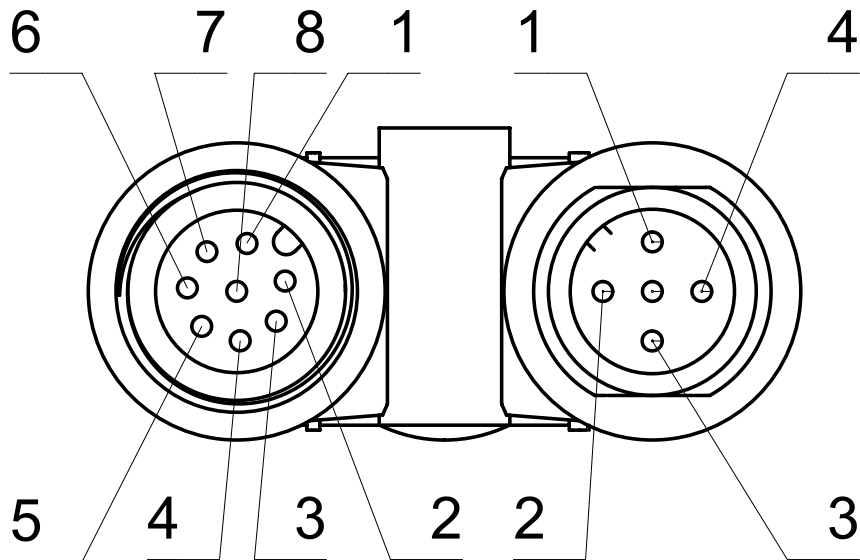


IMAGE 6/9

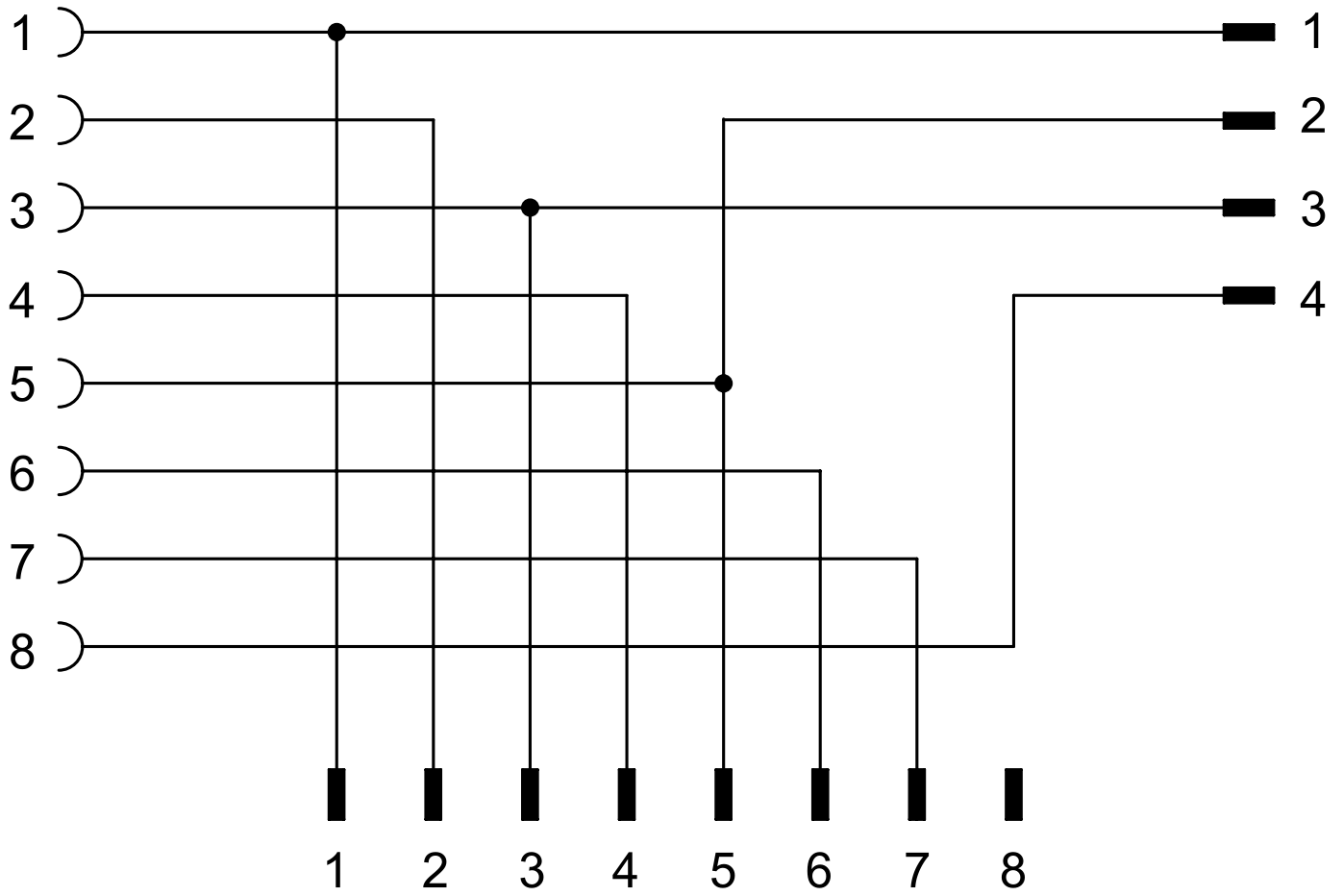


IMAGE 7/9

350ATD8K

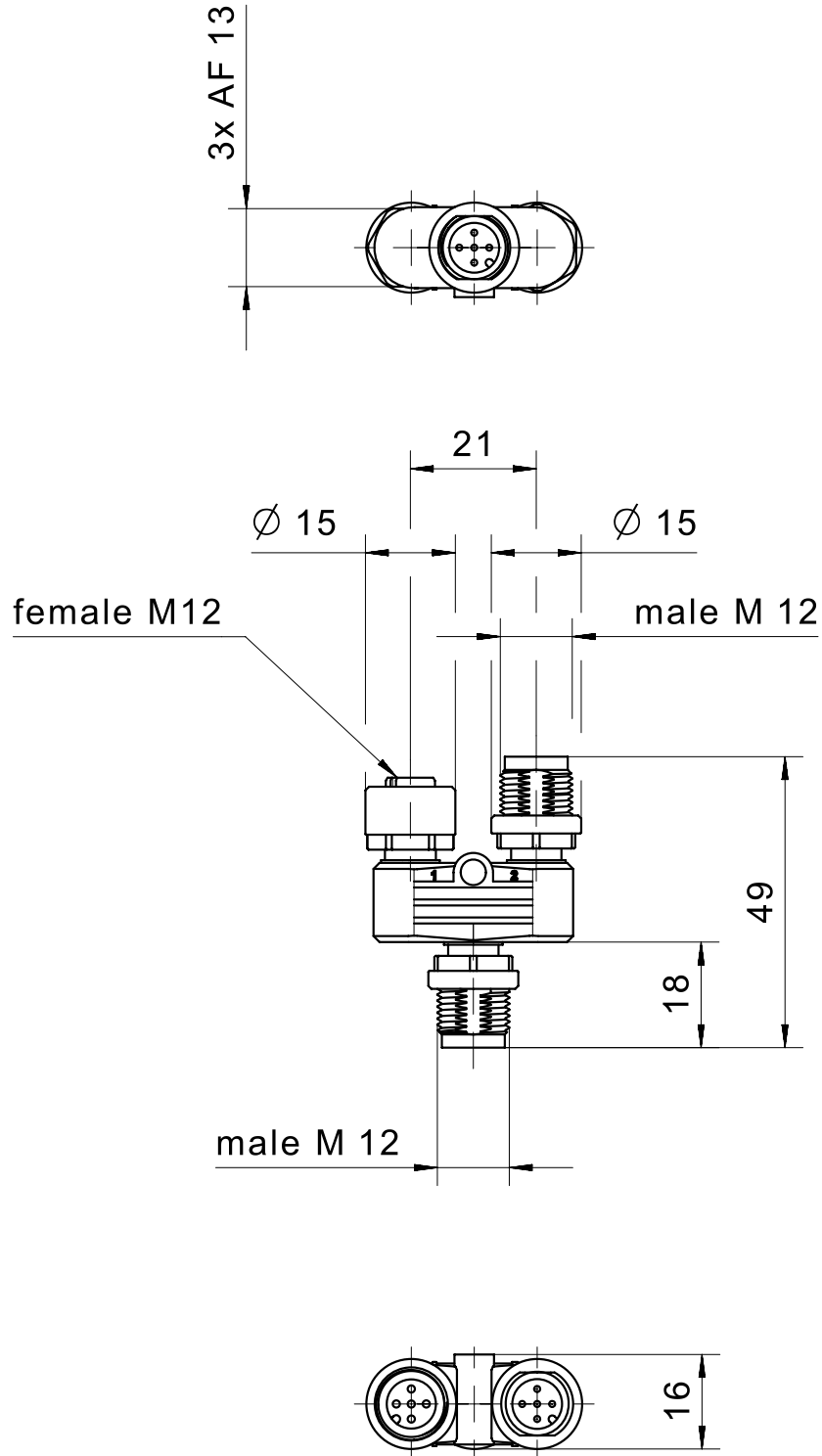
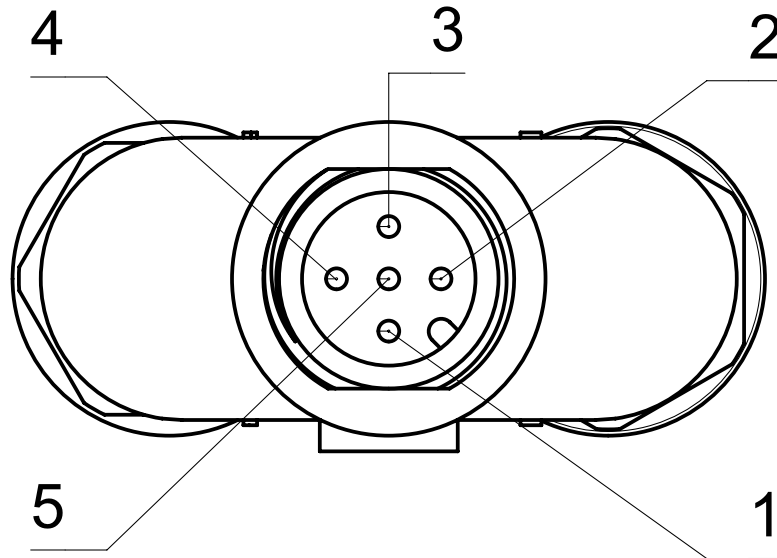


IMAGE 8/9

male M12



female M12

male M12

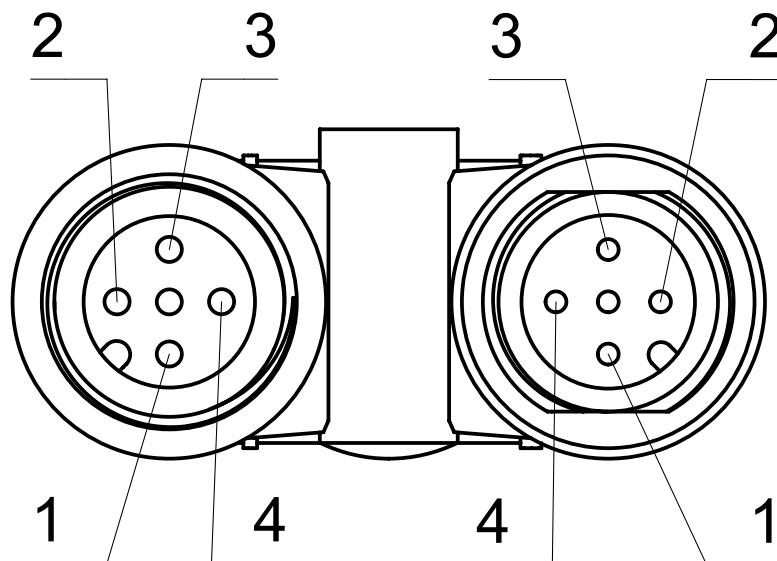
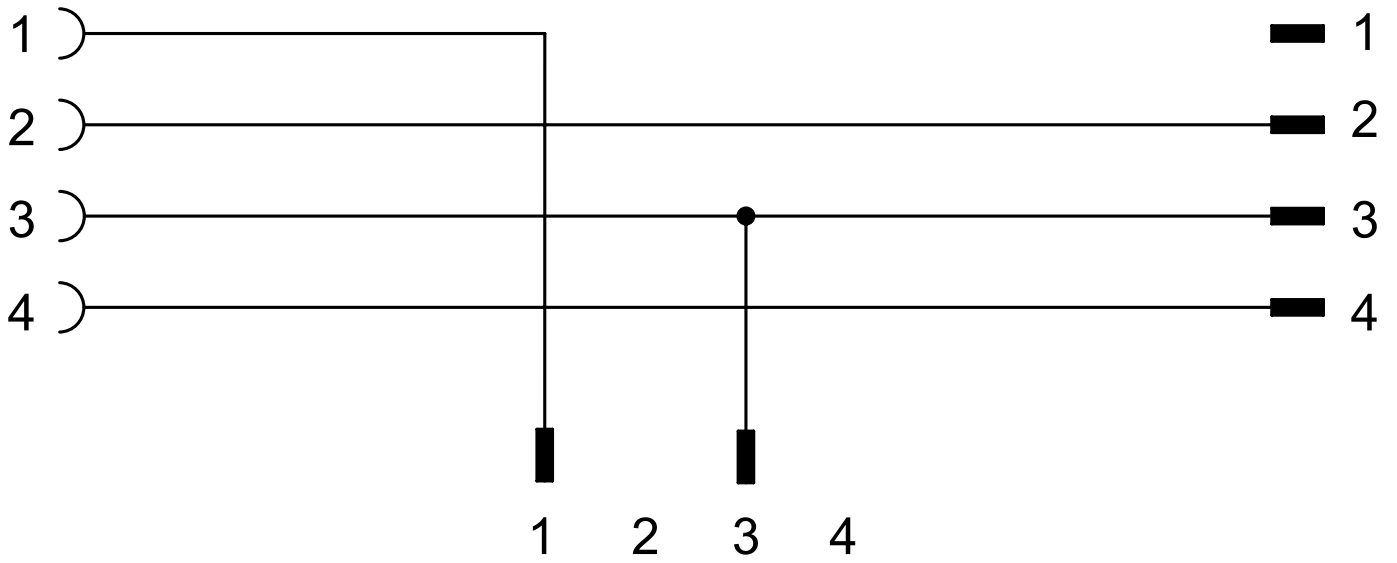


IMAGE 9/9



Article characteristics

Attribute	350ATC6K	350ATD7K	350ATD8K	ED350ATC6K	ED350ATD7K	ED350ATD8K
Max. switching current per contact	2 A		4 A		-	
Rated impulse withstand voltage (Uimp)	800 V				-	
Pollution degree	3				-	
Operating voltage max.	30 V DC		60 V DC		-	
Operating voltage max.	30 V AC		60 V AC		-	
Nut material	PA				-	
Overmould material	PA				-	
Protection class, connector	IP67 DIN EN 60529				-	
Operating temperature min.	-25 °C				-	
Max. operating temperature	85 °C				-	
Min. storage temperature	-25 °C				-	
Max. storage temperature	85 °C				-	
Torque for nuts	0,6 N m				-	
Weight	16 g	17 g	15 g		-	
Connector type	M12 Stecker gerade				-	
Connection type	geschraubt / gesteckt				-	
Number of pins	8/4/4	8/8/4	4/4/4		-	
Certified in accordance with	UL1977/CSA22.2 ECOLAB				-	