



## Terminating plug 350AGA2K01

For direct connection of e.g. eloProtect E sensors to M12 cables. Connection examples available from elobau.

### Product characteristics

- Simple termination of series-connected eloProtect E sensors RFID
- Pluggable M12 version
- Simplifies wiring efforts

### Technical drawing

IMAGE 1/3

350AGA2K01

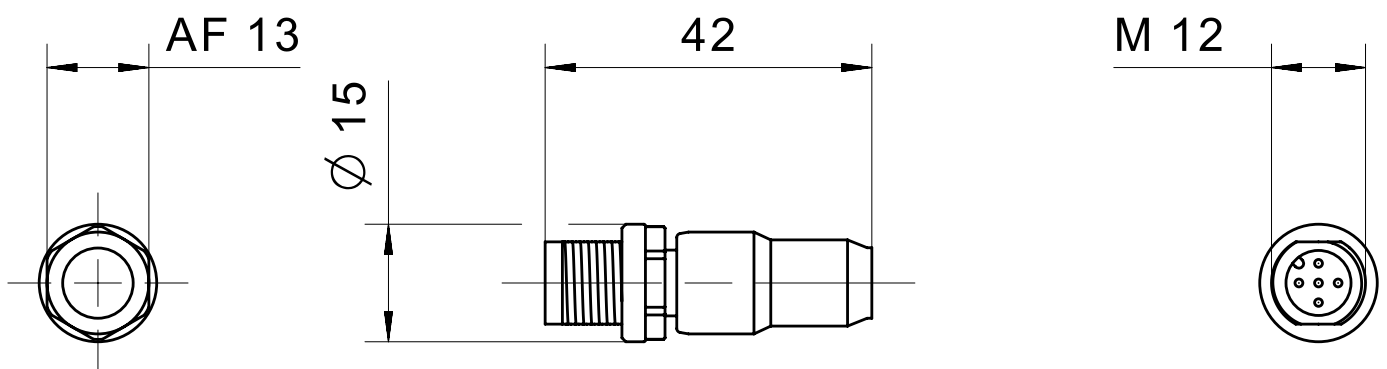


IMAGE 2/3

# male M12

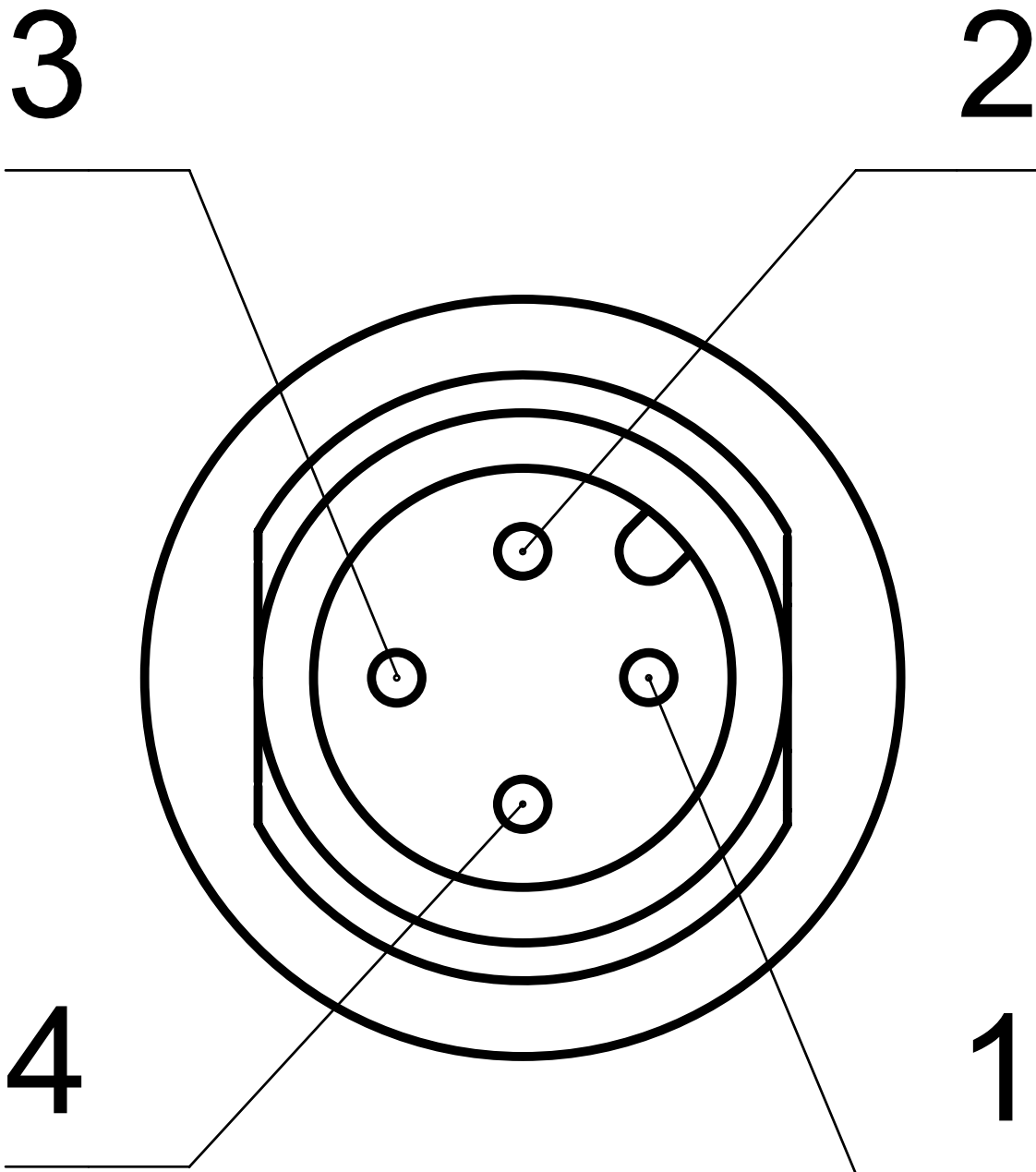
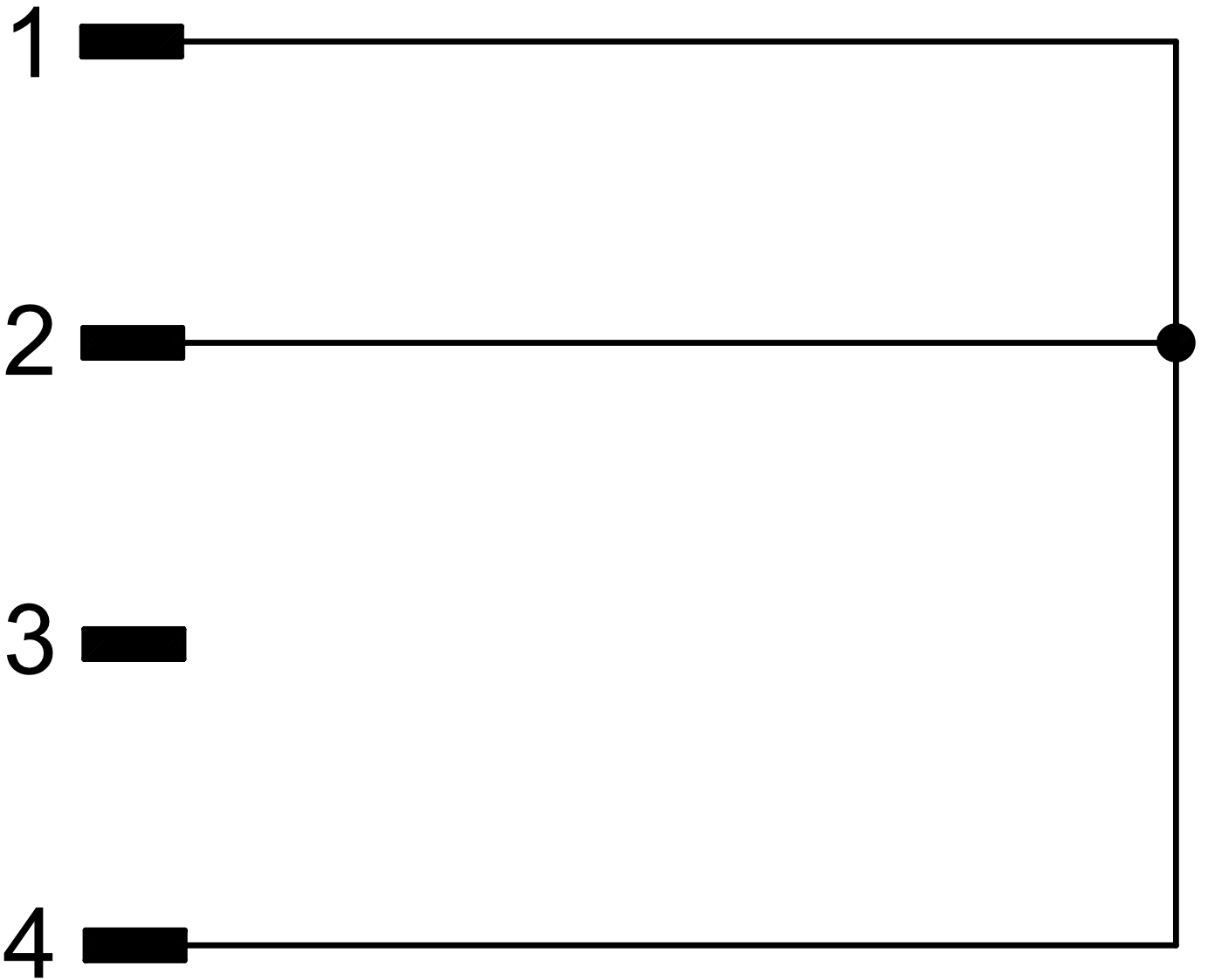


IMAGE 3/3



### Article characteristics

Attribute	350AGA2K01	ED350AGA2K01
Max. switching current per contact	4 A	-
Rated impulse withstand voltage (Uimp)	800 V	-
Pollution degree	3	-
Operating voltage max.	30 V DC	-
Operating voltage max.	30 V AC	-
Nut material	PA	-
Overmould material	PA	-
Protection class, connector	IP67 DIN EN 60529	-
Operating temperature min.	-25 °C	-
Max. operating temperature	85 °C	-
Min. storage temperature	-25 °C	-
Max. storage temperature	85 °C	-
Torque for nuts	0,6 N m	-
Connector type	M12 Stecker gerade	-
Connection type	geschraubt / gesteckt	-
Number of pins	4	-
Certified in accordance with	UL1977/CSA22.2 ECOLAB	-