



## Modular Armrest 225MA Midi

State-of-the-art technology and perfected ergonomic design have been standard in the vehicles of the “big players” for mobile machines for many years. Now elobau offers you with the configurable, multi-functional armrest 225MA midi the chance to profit from our long-standing know-how in the areas of functionality, ergonomics and design.

### Product characteristics

- Sustainable: 75% of the plastics used are bio-based
- Safe: Safety level AgPL c (ISO 25119)
- Practical: Storage compartment with USB charging socket for smartphones
- Conforms to standards: Mother Regulation compliant (EU 167/2013)
- Plug & Play: CAN bus (SAE J1939)
- Clearly designed: Colours, symbols, function and night illumination

Technical drawing

IMAGE 1/4

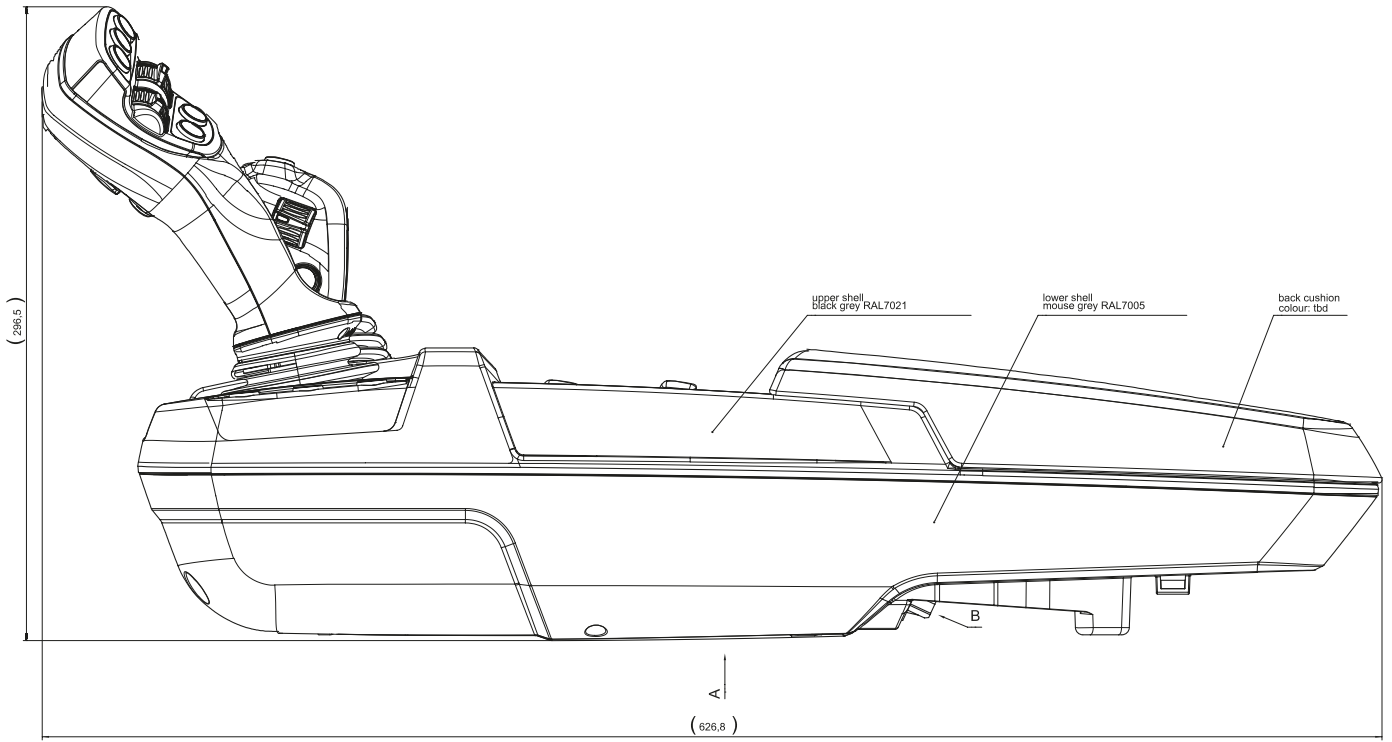


IMAGE 2/4

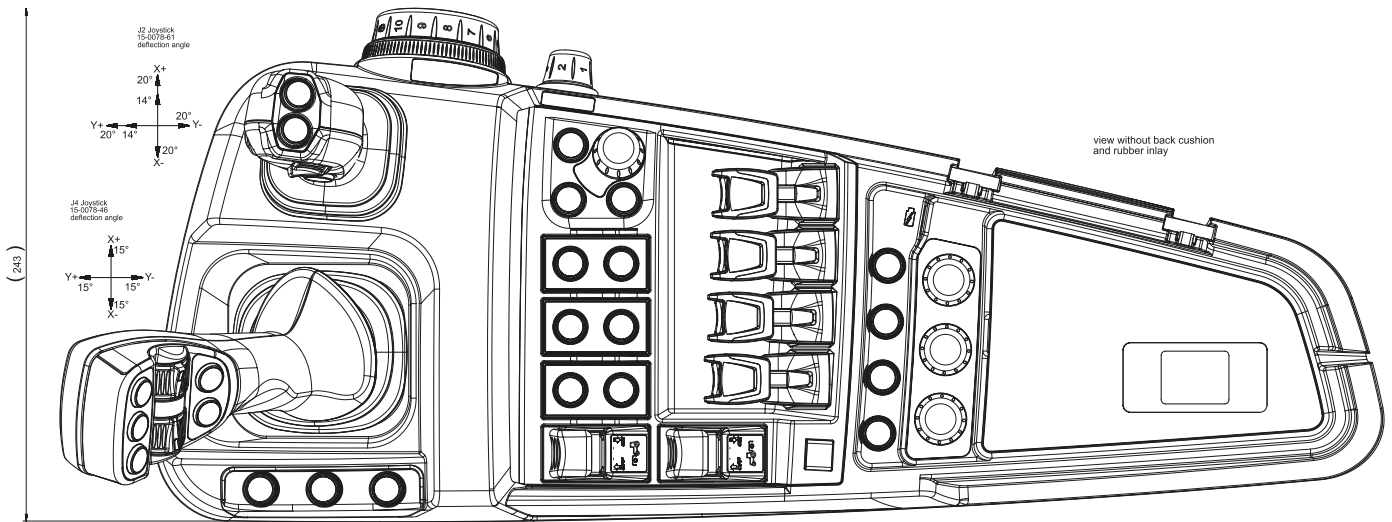


IMAGE 3/4

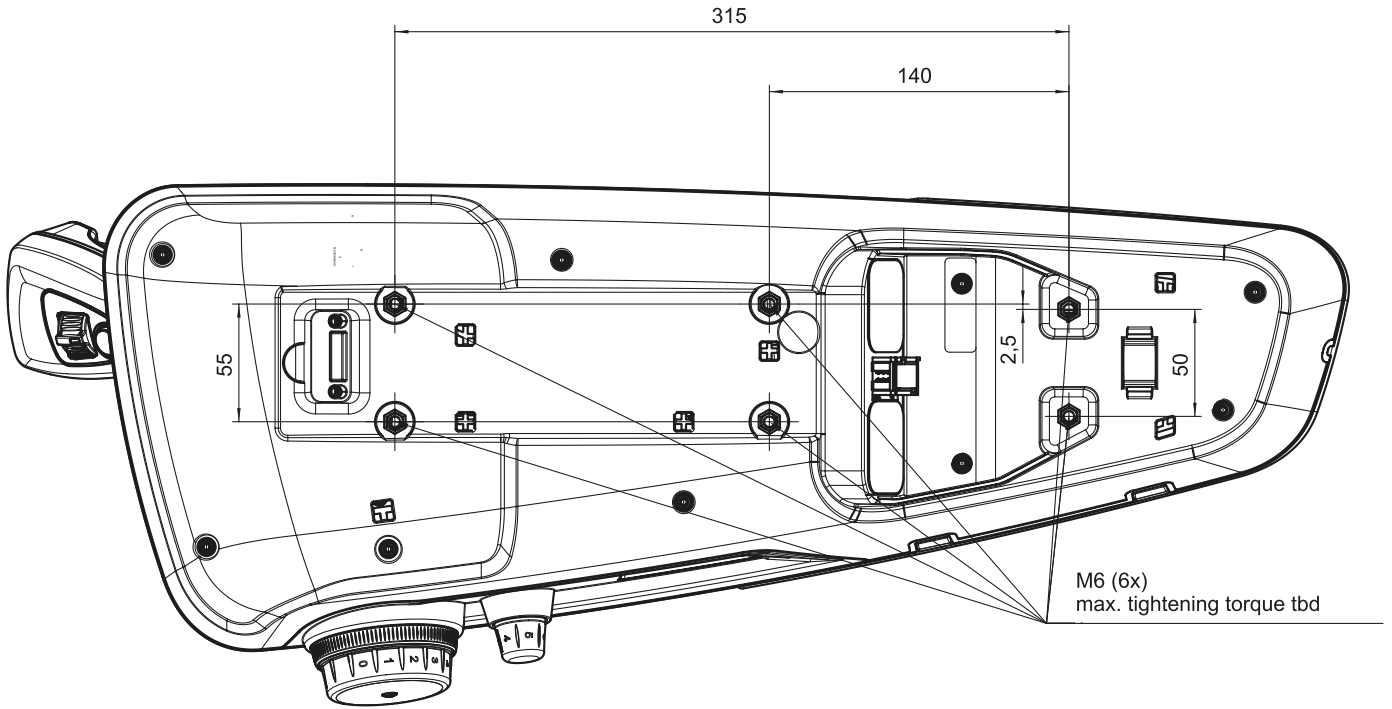
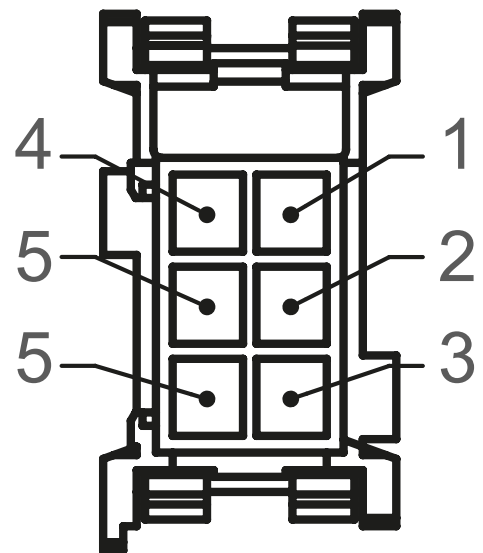


IMAGE 4/4

## connector

Tyco Junior Power Timer  
 Housing 965641-3  
 Locking plate 968271-1  
 Terminal 1-962841-1



### Article characteristics

Attribute	225MA...
Polarity reversal protection	yes
EMC immunity (Norm)	EN ISO 14982:2009
EMC emission (Norm)	EN ISO 14982:2009
Operating voltage min.	9 V DC
Operating voltage max.	33 V DC
Current consumption	5000 mA
Short-circuit resistance to GND	yes
Short-circuit resistance to supply	no
Fieldbus system	CAN
Protocol	J1939
Node ID / Source Address	Variable/adjustable
Transmitting cycle	Variable/adjustable ms
Bus terminating resistor	no
Baud rate	250 500 kBaud
Housing colour	Upper shell Black grey RAL7021, lower shell Mouse grey RAL7005
Protection class, mechanical	IP44 ISO 20653
Protection class, electronic	IP53 ISO 20653
Operating temperature min.	-25 °C
Max. operating temperature	85 °C
Min. storage temperature	-40 °C
Max. storage temperature	85 °C
Mounting type	screwed
Thread	M6
Connector type	AMP Junior Power Timer