

Robust Joystick J4 Base

Robust, top mounted.

The J4 robust joystick is ideal for high-stress and high-frequency use thanks to its robust design. It was designed for use in mobile machinery, such as wheel loaders for operating the bucket functions.

Technical specifications

- Robust joystick for installation from above
- Space-saving design
- High reliability and long service life thanks to contactless Hall-effect and reed technology
- Available with different output signals: analogue, redundant, CAN bus connection (CANopen/SAEJ1939) or with switching output
- IP67 protection class of electronics, ideal for harsh environmental conditions
- Deflection $\pm 20^\circ$
- Available with various actuation types: no-detent, detent, with friction brake or centre position interlock, any function can be optimally operated
- Designed for extremely heavy loads (x-/y-axis: 2000 N, z-axis: 700 N at 190 mm lever length each)

Technical drawing

IMAGE 1/3

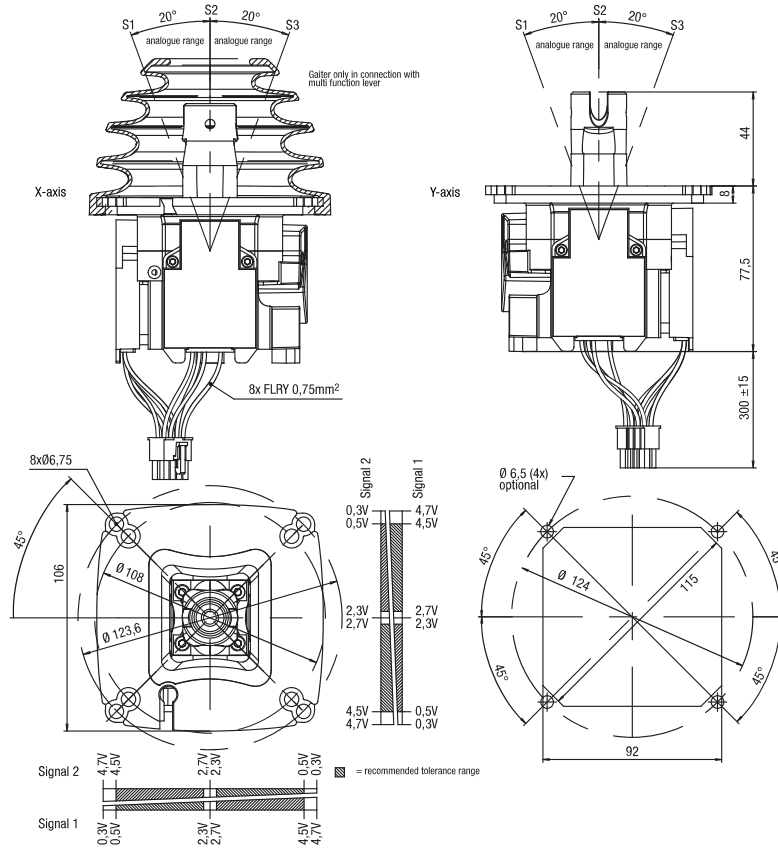
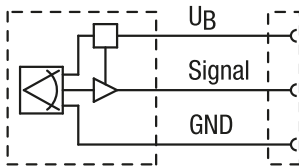


IMAGE 2/3

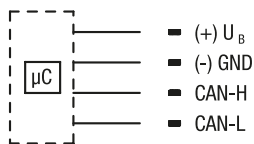
Standard

Analogue each X- and Y-axis



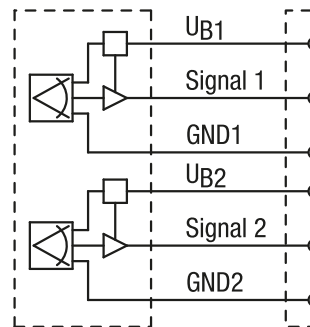
CAN

CAN

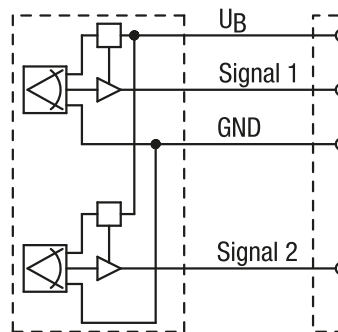


Optional

Redundant each X- und Y-axis



Semi-redundant each X- and Y-axis



Switching output each X- and Y-axis

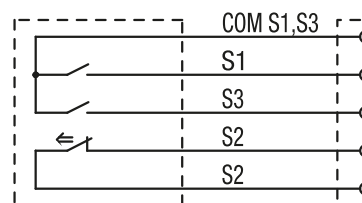
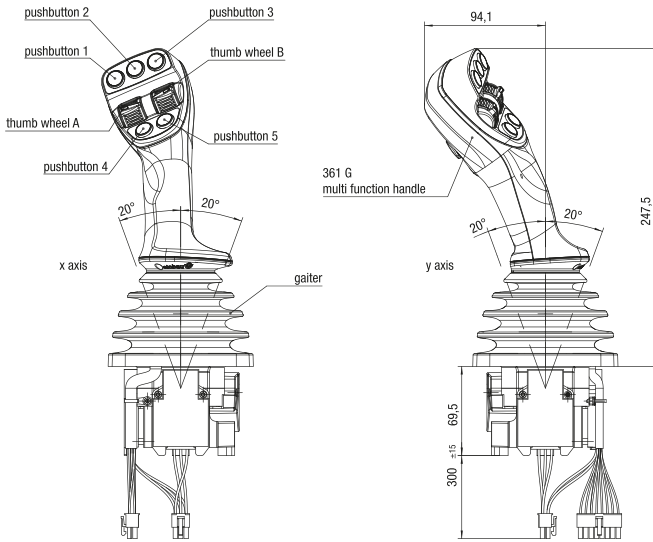
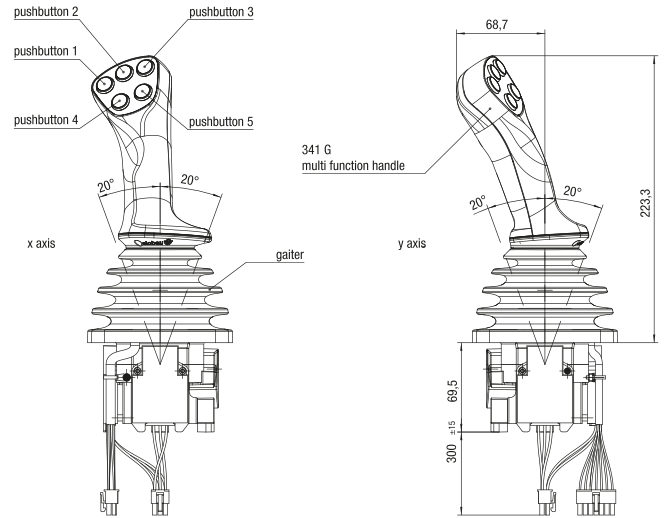


IMAGE 3/3

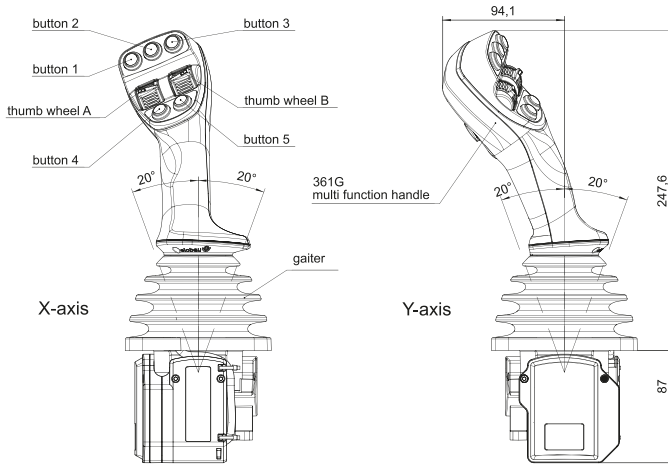
J4 joystick with Multi-function handle 361G...



J4 joystick with Multi-function handle 341G...



J4 joystick with CAN electronics und Multi-function handle 361G



J4 joystick with Multi-function handle 351G

