



## Robust Joystick J4F

### With safety electronics, installation from above

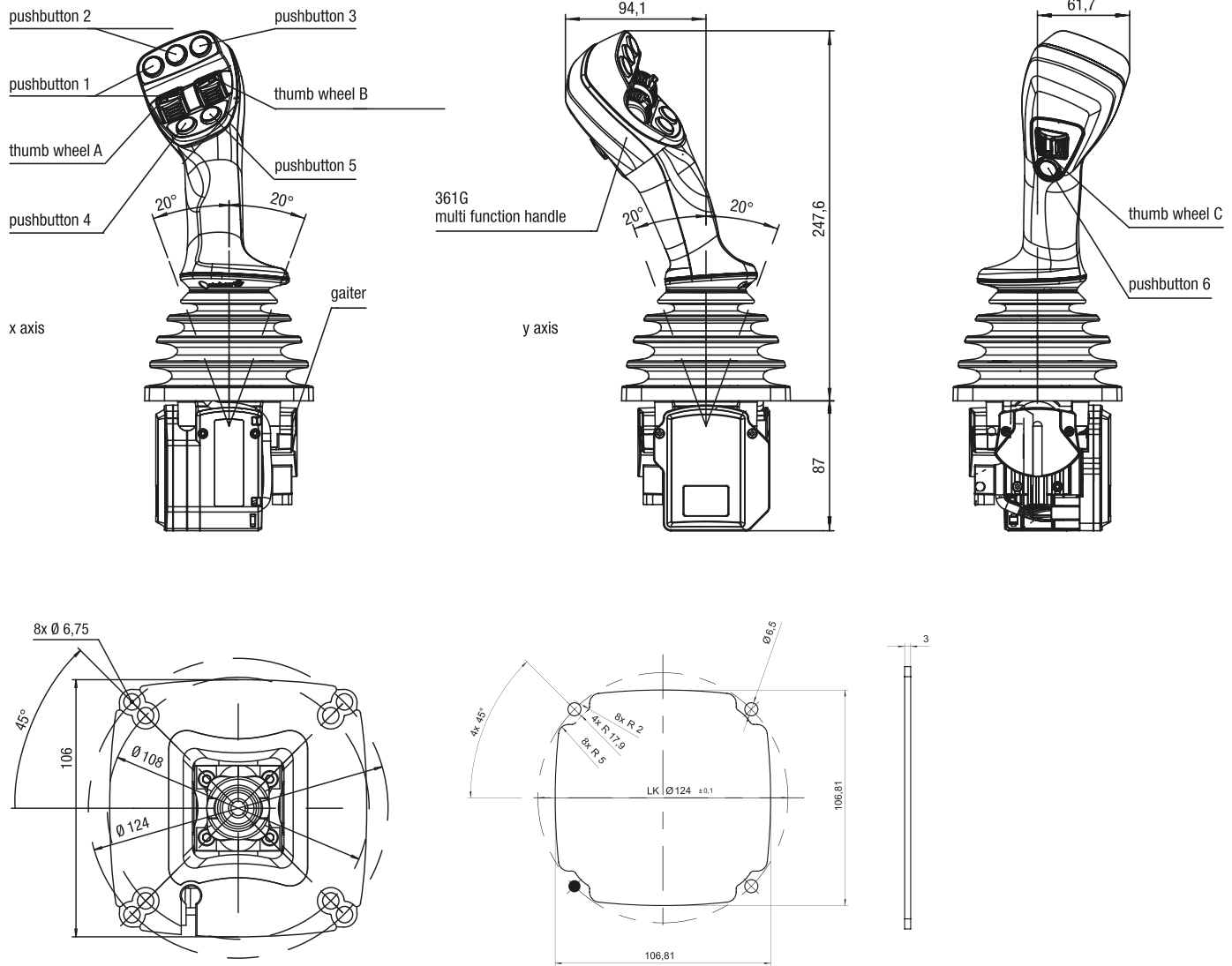
The robustly designed Heavy duty joystick J4F with safety electronics has been developed and certified in accordance with EN ISO 13849-1, EN ISO 13849-2 and in accordance with DIN EN 61508-1. This allows manufacturers of municipal vehicles and off-highway vehicles such as agricultural and construction machinery to avoid additional risk and failure probability calculations, and can reduce their documentation requirements as a result. Even safety-critical vehicle functions such as the direction of travel can be controlled.

### Technical specifications

- Joystick and thumbwheel signals SIL 2 / PL d (cat. 3), push button SIL 1 / PL c
- High reliability and long service life thanks to contactless reed and Hall-effect technology
- Joystick CAN module robust with IP67 electronics protection class, ideal for outdoor use
- Direct mounting of electronics module onto joystick ensures minimum space requirement
- Handle available with micro push button switches for use outside of the cabin
- Modular construction of the handle enables application-specific modification
- Ergonomic handle shape ensures fatigue-free operation

Technical drawing

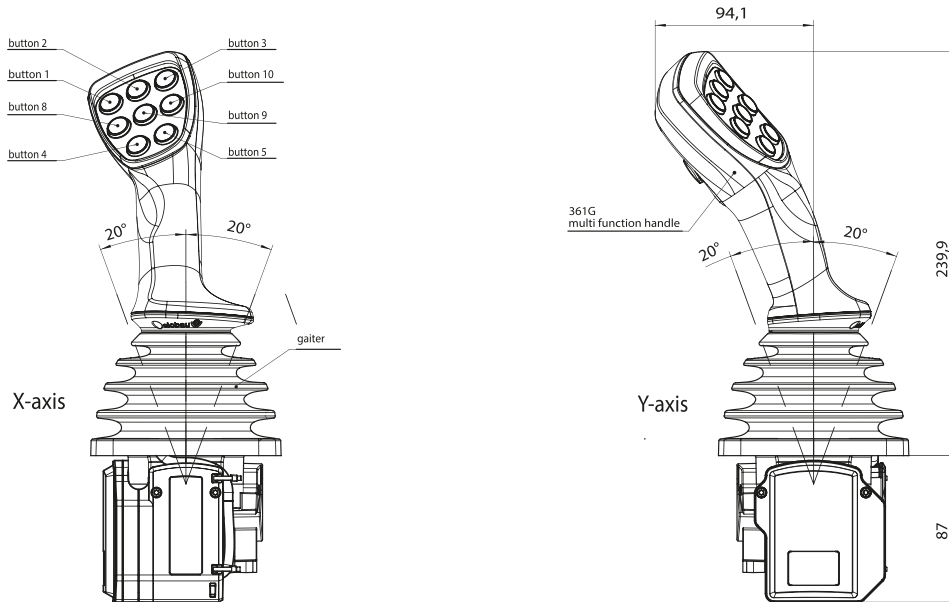
IMAGE 1/2



Installation opening only in combination with gaiter

IMAGE 2/2

**J4F with Multi-function handle 361G, front control module with 8 push buttons**



**J4F with Multi-function handle 341G, front control module with thumbwheel and 2 push buttons**

