



## Fingertip Joystick J3

**CAN-capable, bottom mounted.**

The single axis Hall-effect, Fingertip joystick J3, is ideal for use in control panels and armrests of industrial trucks and municipal vehicles, as well as in agricultural and construction machinery thanks to its compact and robust design.

### Technical specifications

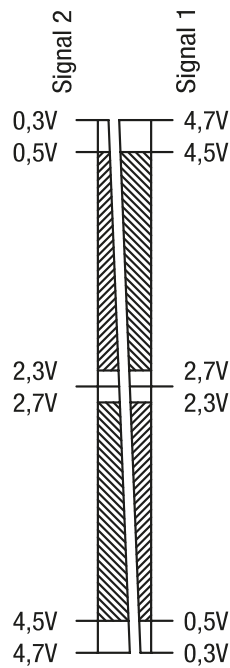
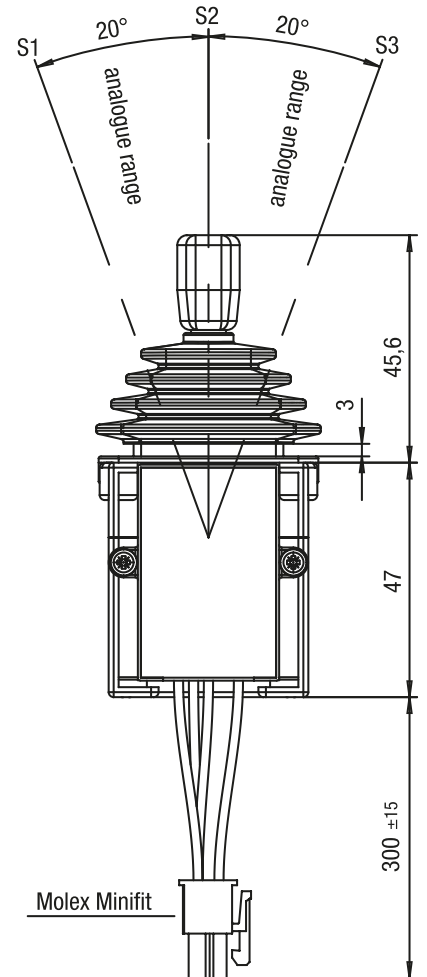
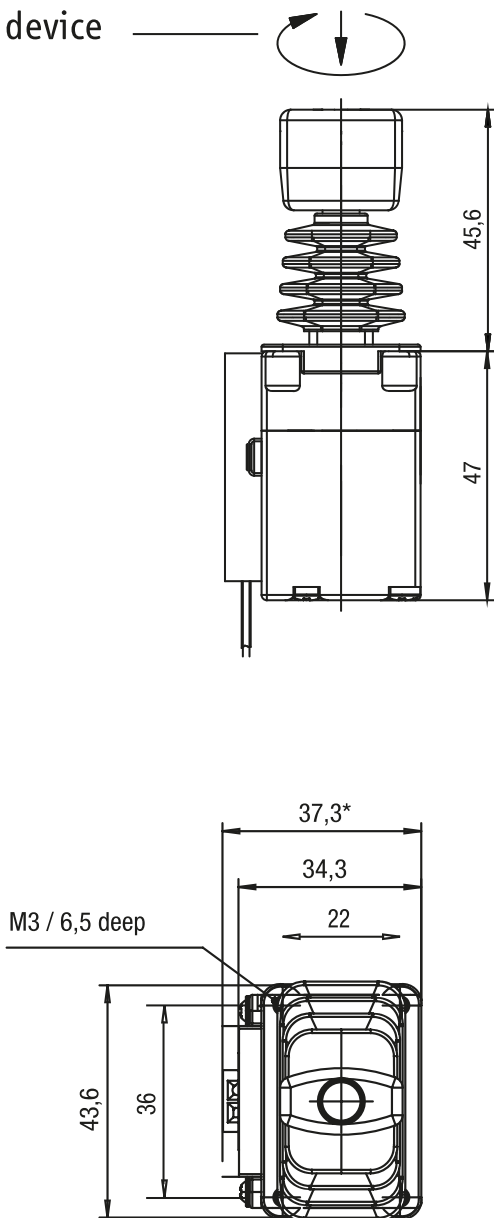
- Four actuation types: no-detent / detent, with friction brake or centre position interlock
- High reliability and long service life thanks to contactless Hall-effect and reed technology
- Analogue output signal (current/voltage, also redundant) or switching output
- CAN-bus connection (CANopen / SAE J1939)
- Various handle options, available with up to one push button switch
- IP67 protection class of electronics, ideal for harsh environmental conditions
- Deflection  $\pm 20^\circ$  or  $\pm 25^\circ$

Technical drawing

IMAGE 1/4

Optional locking device

neutral position locked



\* panel thickness for execution Switching output / redundant / CAN

 = recommended tolerance range

IMAGE 2/4

# mounting hole standard handle

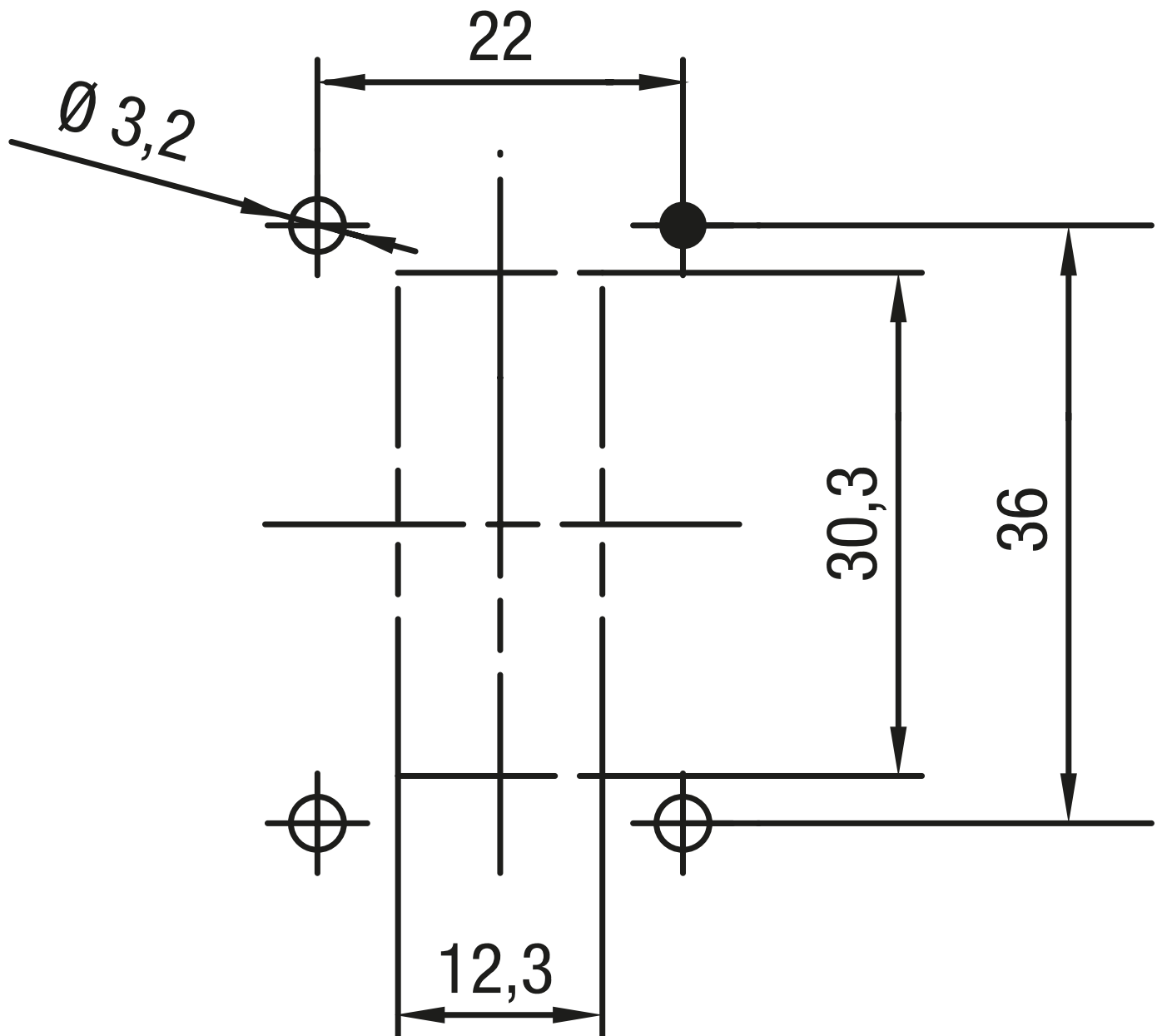
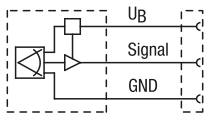


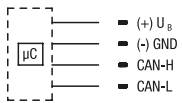
IMAGE 3/4

**Standard**

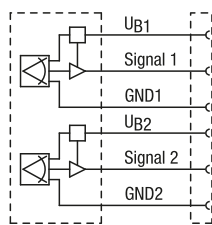
**Analogue**



**CAN**

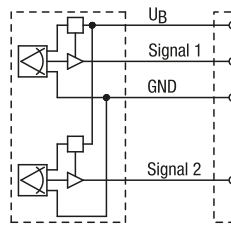


**Redundant**



**Optional**

**Semi-redundant**



**Switching output**

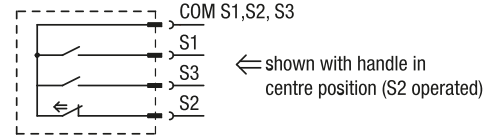
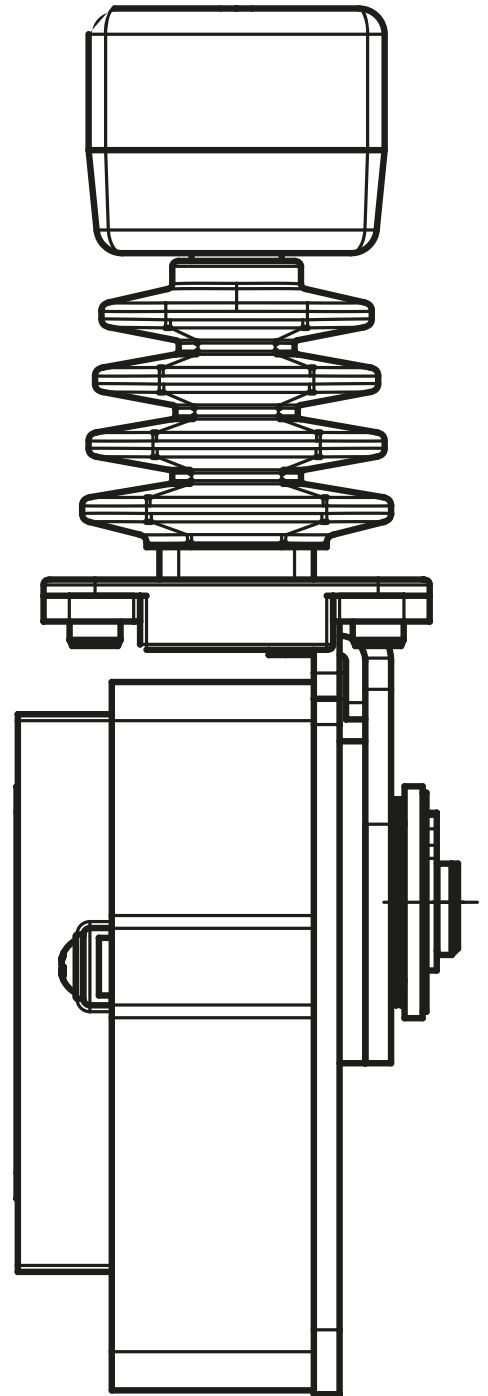
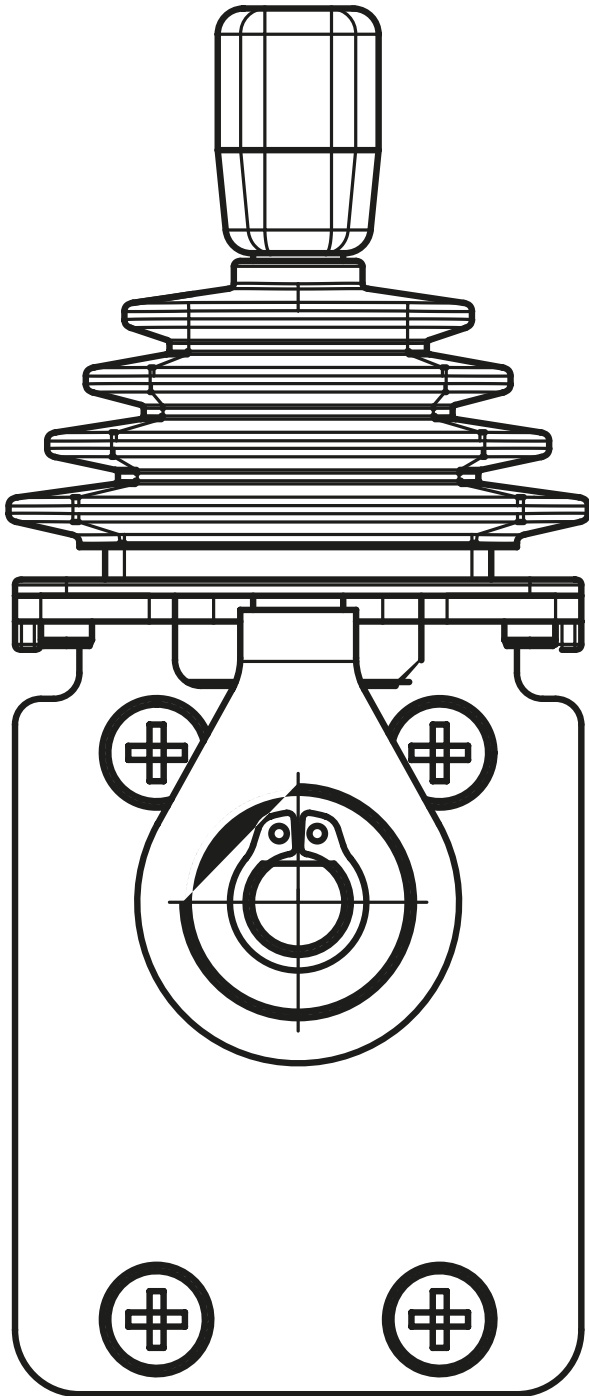


IMAGE 4/4

# Optional with friction brake J3..AH. .



**Product options**

IMAGE 1/1

**ORDERING KEY**

J3						Single axis joystick
						<b>Electronics</b>
A	1					Analogue 4-20 mA DC
A	6					Analogue 0.5-4.5 V DC, ratiometric
A	7					Analogue 0.5-4.5 V DC
R	1					Redundant 4-20 mA DC
R	6					Redundant 0.5-4.5 V DC, ratiometric
R	7					Redundant 0.5-4.5 V DC
C	0					CANopen
C	J					CAN J1939
						<b>Function</b>
			A	A		No detent
			A	B		Detent
						<b>Locking device</b>
					0	Centre position cannot be locked mechanically
						<b>Handle version</b>
					A	Standard handle

Optional		
<b>Electronics</b>	Semi-redundant electronics module	
	Electronics module switching output	
	CAN (CANopen/J1939)	Baud rate
		Node ID (CANopen): tbd. Source Address (J1939): 0x70...0x79
<b>Mechanics</b>	Actuation type	No detent 25°
		No detent 25°
		Front detent only 20°/25°
		Friction brake, J3 handle on hand-throttle module
	Centre position mechanically lockable Twist lock	
<b>Handle</b>	Handle J2 with up to 1 push button	Various push button configurations s. 145MT...