



## Robust Joystick J7 Base

Robust joystick J7 was developed primarily for installation in the armrests of mobile machinery. The design combines a high level of robustness, safety and reliability in a compact space. It is ideally suited for high load and high use applications.

### Technical specifications

- Developed for adverse environmental conditions, IP67 protection class (electronics)
- For forces up to 1000 N in x and y direction
- Space-saving design allows ergonomic arrangement in armrests
- High reliability thanks to shielded, contactless Hall technology
- Friction brake, overpressure points and no-detent actuation enables the operation of various functions

Technical drawing

IMAGE 1/4

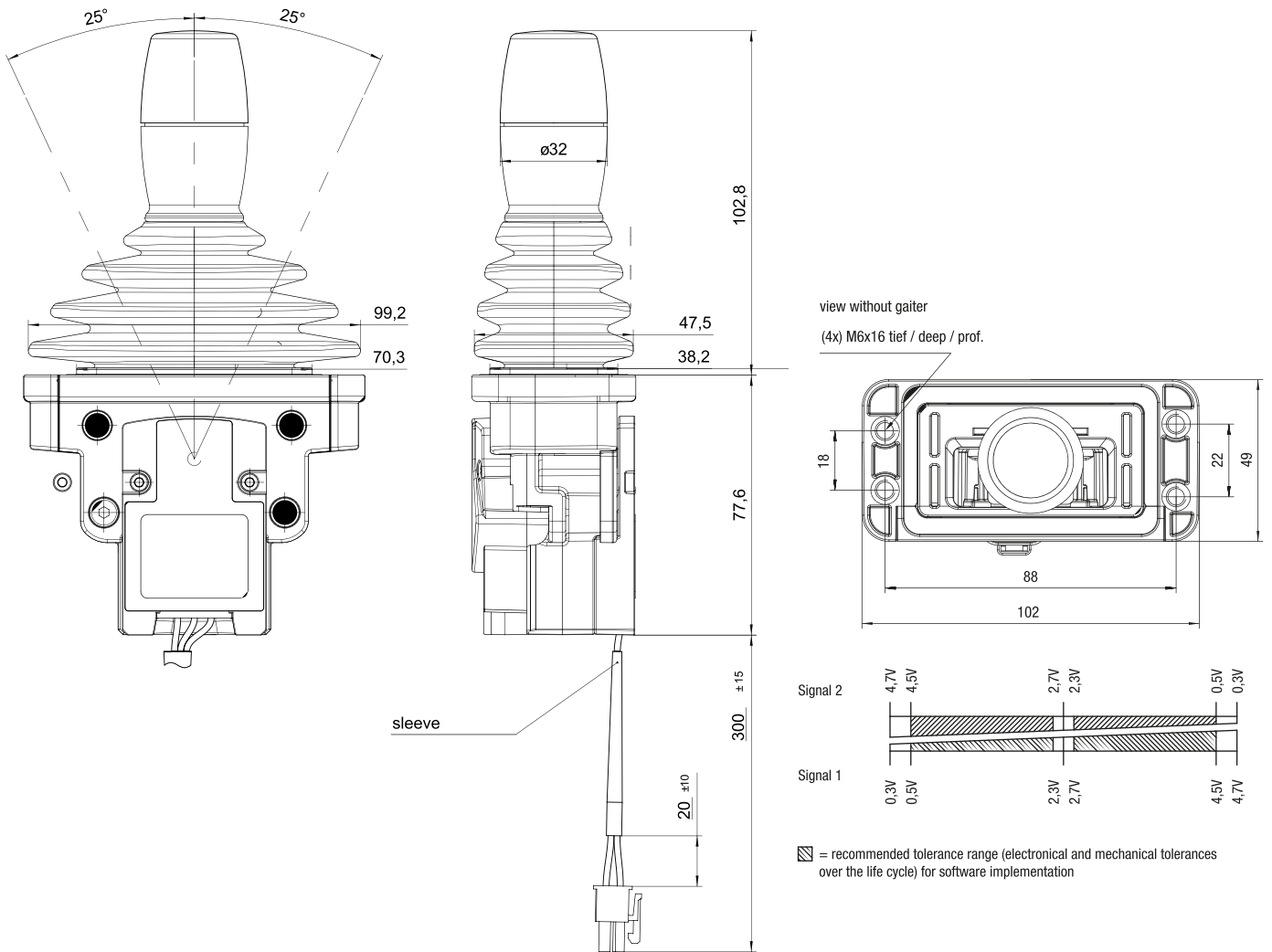


IMAGE 2/4

Fastening with countersunk screw according to DIN EN ISO 10642 (4x)

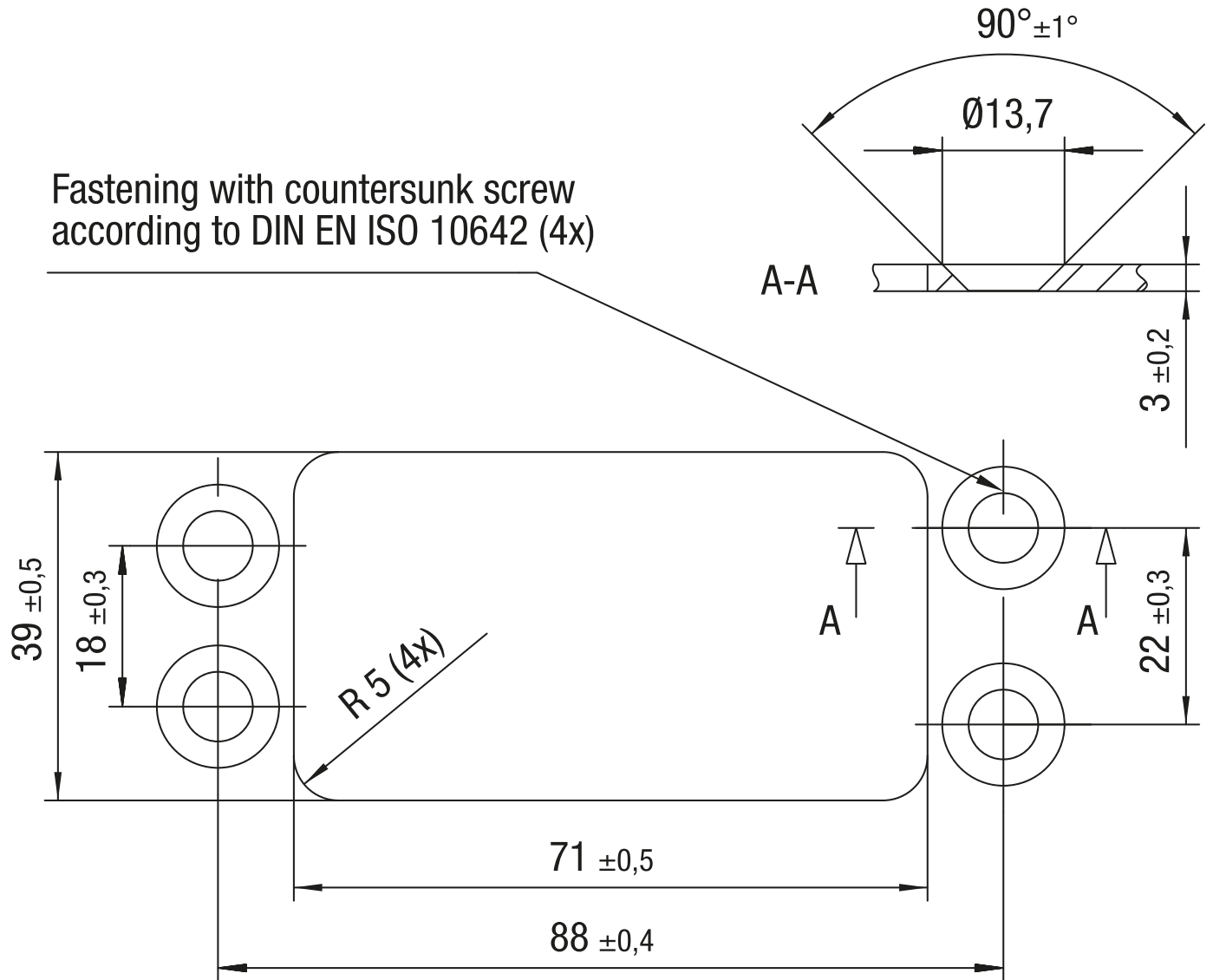
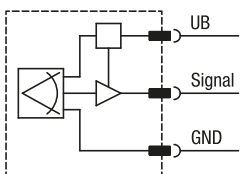


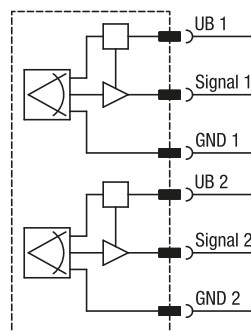
IMAGE 3/4

**Standard**

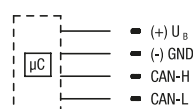
**Analogue**



**Analogue redundant**



**CAN**



**Optional**

**Analogue semi-redundant**

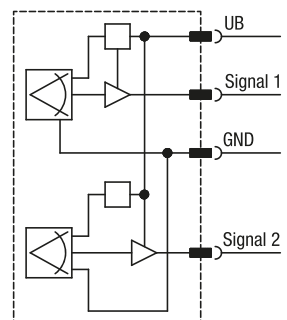
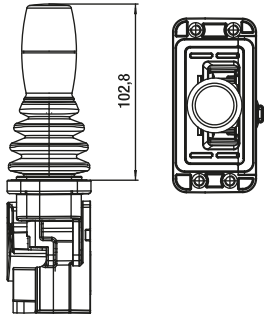
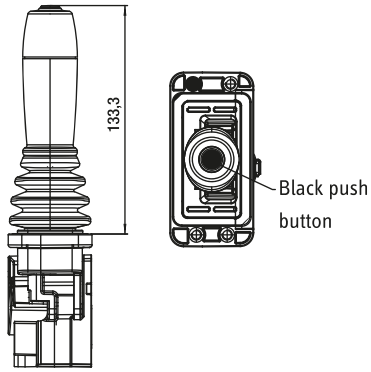


IMAGE 4/4

**Short handle  
Without micro push button switch**



**Long handle  
With micro push button switch**



**3 push buttons handle long  
with max. 3 micro push buttons**

