



## Fingertip Joystick JFT

The compact design of the Fingertip joystick JFT makes it ideal for use in control panels and armrests. The areas of application range from industrial trucks, agricultural and construction machinery to countless industry applications.

### Technical specifications

- Simple “on top” installation in control panels
- Parallel arrangement is possible in the smallest of installation spaces
- Angled actuator with soft-touch finger rest for ergonomic operation
- Colour-coded actuator cap and customised symbol imprint
- High reliability and long service life thanks to contactless, shielded Hall-effect technology
- Two available variants:
  - Standard: Long proven, for use inside the cabin.
  - Dust-optimized: For slightly rougher applications with slightly different feel.

Technical drawing

IMAGE 1/2

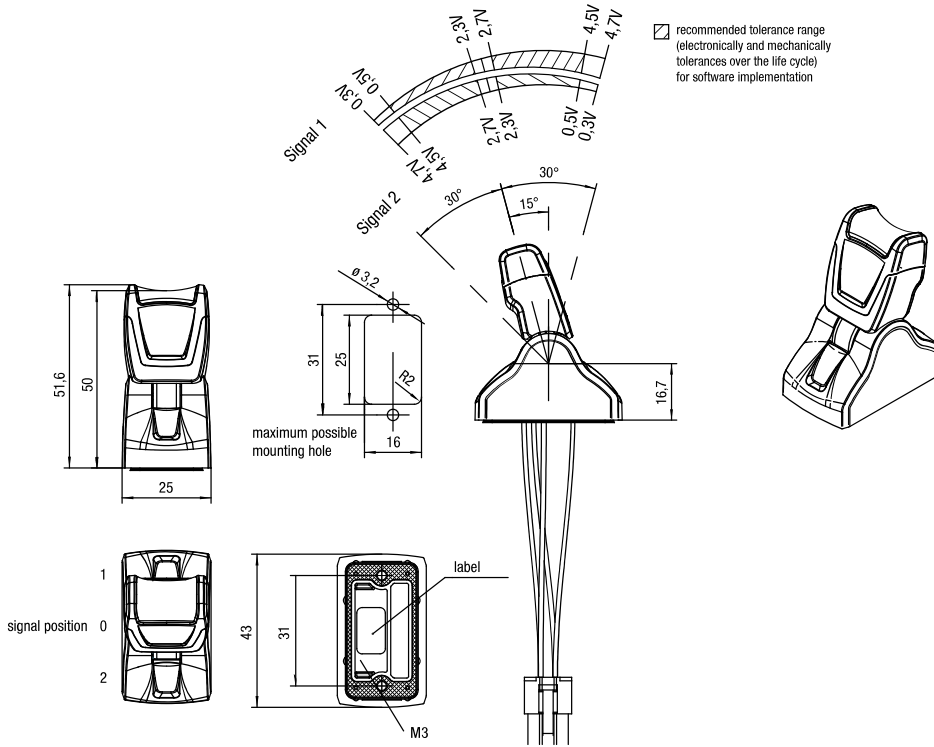
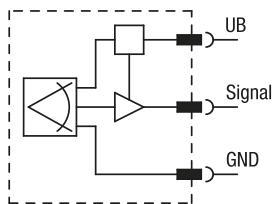


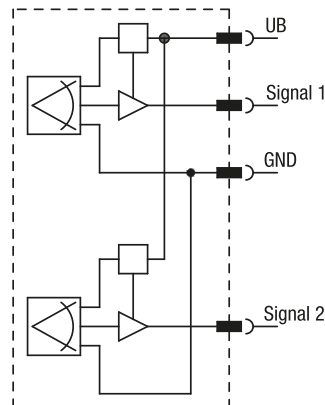
IMAGE 2/2

**Standard**

**Analogue**



**Analogue semi-redundant**



**Analogue redundant**

