



## Universal Switch 151U...B

Universal switch 151 U... ..B has three switching levels to additionally operate high and low beam.

The Steering column switch 151 U can be used in agricultural vehicles, construction machinery and self-propelled machinery. Using proven technology, these steering column switches are robust and reliable even under tough working conditions.

### Technical specifications

- Space-saving design
- Various actuation types: no-detent/detent actuation
- Temperature range -30 °C to +80 °C
- Optionally with large handle (Ø17 mm) or flat handle (24 x 38 mm)

### Technical drawing

IMAGE 1/2

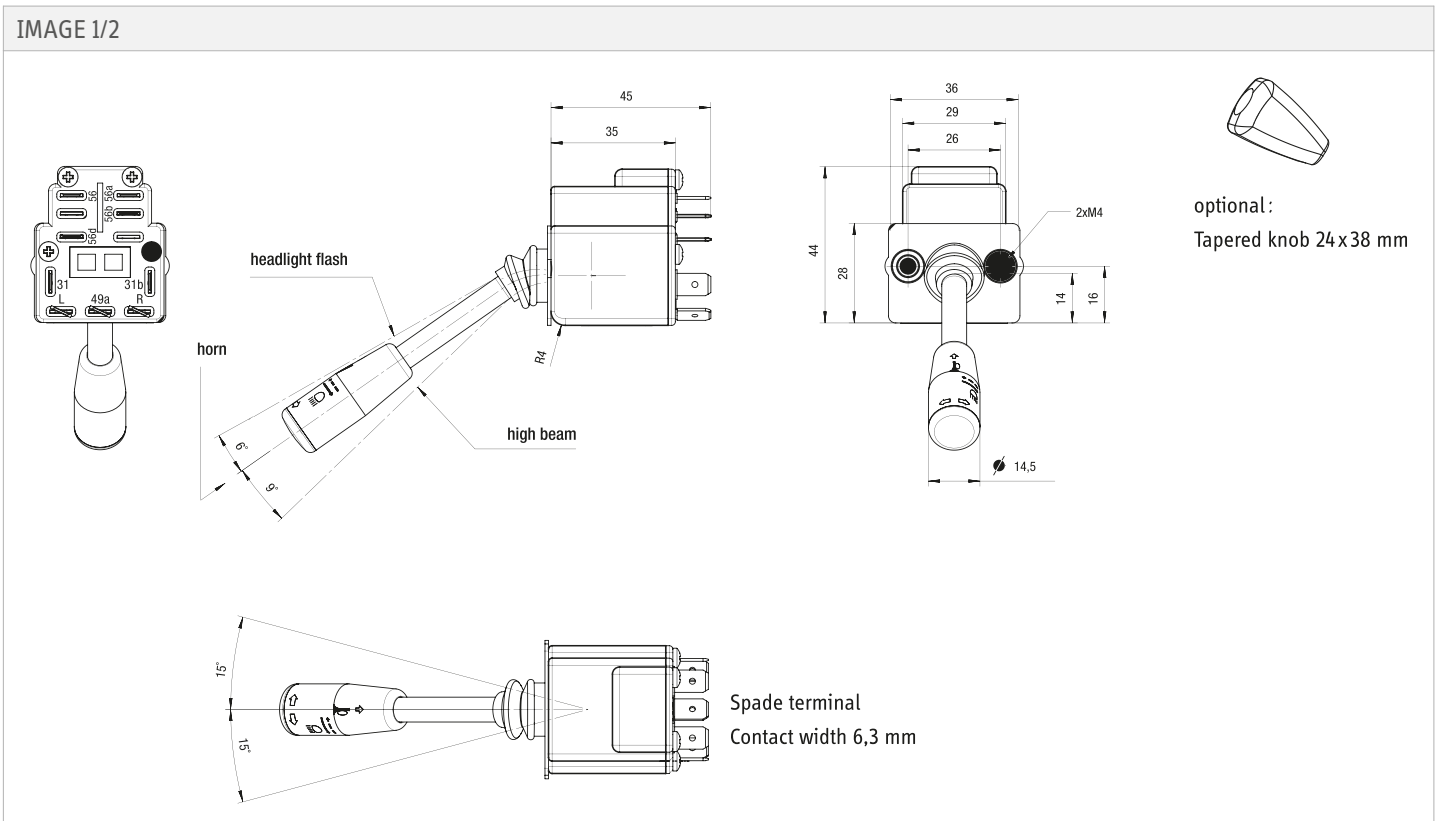
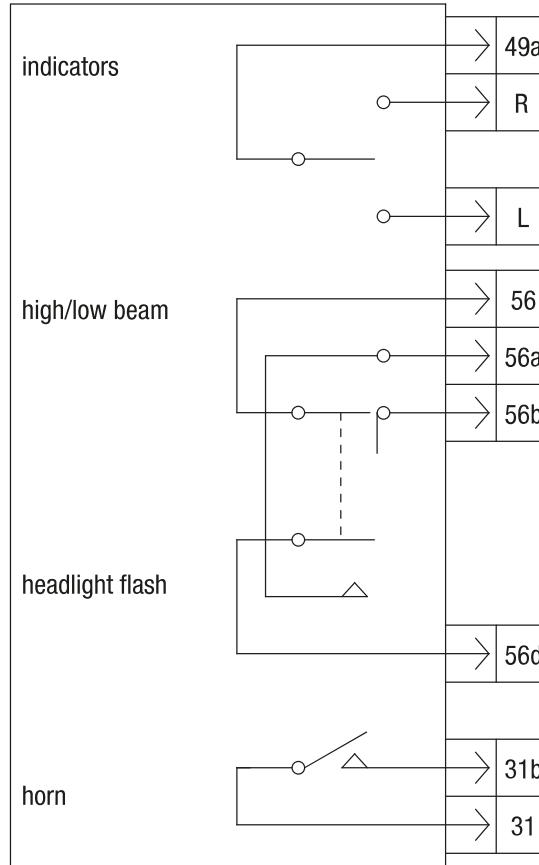


IMAGE 2/2



**Product options**

IMAGE 1/1

**ORDERING KEY**

151 U						Universal switch
						<b>Function</b>
	N					No detent
	M					Detent
						<b>Lever version</b>
		S				Standard lever, diameter 7 mm
						<b>Handle version</b>
			1	0	B	Small handle, handle print for turn signal / horn / headlamp flasher (three switching levels)
			1	1	A	Small handle, handle print for turn signal / horn (two switching levels)
			1	2	A	Small handle, without handle print (two switching levels)
			1	2	B	Small handle, without handle print (three switching levels)

### Article characteristics

Attribute	151UM.B..	151UN.B..
Contact form	mechanical	
Turn signal - max. switching voltage	12 V DC	48 V DC
Turn signal - max. switching current	8 A	0.5 A
Turn signal - max. switching power	96 W	10 W
Contact form - turn signal	mechanical	Reed Switch
Horn - max. switching voltage	12 V DC	
Horn - max. switching current	4.2 A	
Headlamp flasher - max. switching voltage	12 V DC	
Headlamp flasher - max. switching current	10 A	
Headlamp flasher - max. switching power	120 W	
High beam - max. switching voltage	12 V DC	
High beam - max. switching current	10 A	
High beam - max. switching power	120 W	
Low beam - max. switching voltage	12 V DC	
Low beam - max. switching current	10 A	
Low beam - max. switching power	120 W	
Horn max. inductive switching power	50 W	
Deflection - turn signal	± 15 °	
Deflection - headlamp flasher	6 °	
Deflection - high beam	9 °	
Operating temperature min.	-30 °C	
Max. operating temperature	80 °C	
Min. storage temperature	-40 °C	
Max. storage temperature	80 °C	

Attribute	151UM.B..	151UN.B..
Installation depth	45 mm	