



CAN angle sensor 424C

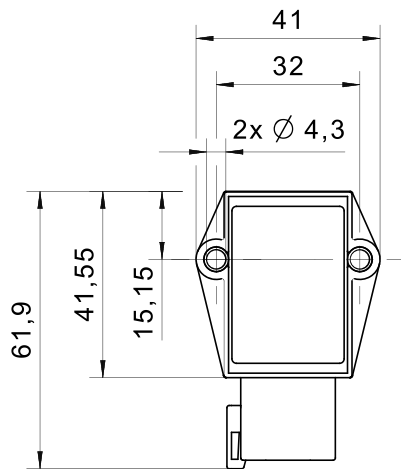
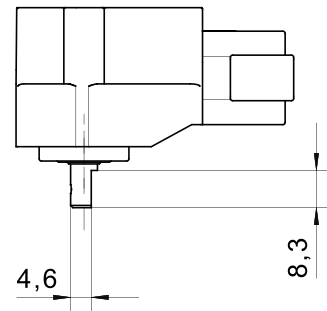
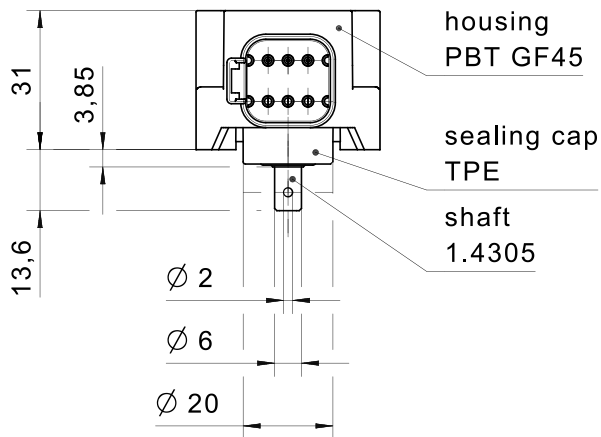
The 360° angle sensor 424C is used for angle measurements from 20° to 360° and is based on the contactless Hall measurement principle. It is extremely reliable and ensures a long service life. Due to the ball bearing, the pivot axis can absorb smaller radial forces and is therefore suitable for many applications in automation and vehicle construction where rotary movements of an axis must be detected.

Product characteristics

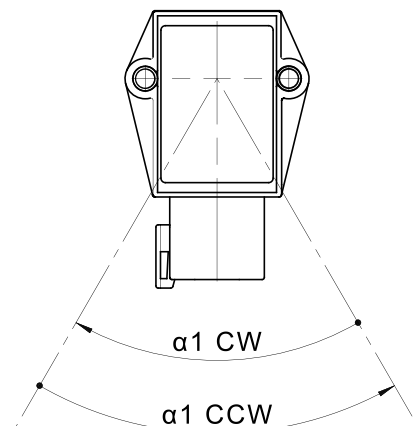
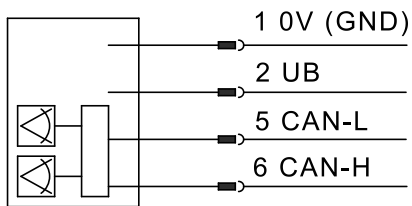
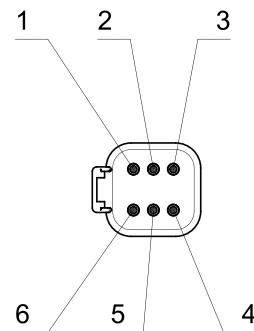
- Long lifetime and extremely reliable from contactless measurement with Hall principle
- Angle measuring range up to 360°
- IP67 protection class for harsh environmental conditions
- Temperature range -40 °C to +85 °C
- CAN bus connection (ISO 11898)
- Protocols CANopen and SAE J1939
- Optionally with operating lever
- Connection with Deutsch DT06-6S connector

Technical drawing

IMAGE 1/1



Deutsch DT06-6S male



Product options

IMAGE 1/1

ORDERING KEY

424C...				CAN angle sensor 360°
				CAN protocol
	0			CANopen
	J			1939
				Angle measuring range
		360		360°
				Operating lever
			B	Yes
			-	No (if selected without lever, this position is omitted)

Article characteristics

Attribute	424CJ360	424C0360
Polarity reversal protection	yes	
Resolution	0.1 °	
Operating voltage min.	9 V DC	
Operating voltage max.	32 V DC	
Current consumption	70 mA	
Temperature coefficient	5.6 ppm/K	
Linearity error	+- 1 %	
Signal sequence	CW/CCW	
Signal update rate	10 Hz	
Outputs (quantity, type)	1	
Technology	Hall	
Angle measuring range	360 °	
Fieldbus system	CAN	
Protocol	J1939	CANopen
Node ID / Source Address	0x15	0x02
Transmitting cycle	100 ms	
Baud rate	250 kBit/s	
Bus terminating resistor	no	
Outputs	CAN J1939	CANopen
MTTF	49.3 a	
EMC Agricultural and forestry machines (Norm)	EN ISO 14982 pulse 5b: max. voltage 56V (absolute), functional status C for pulse 1 and 4	
EMC Earth-moving and building construction machinery (Norm)	DIN EN ISO 13766-1 pulse "load dump": max. voltage 56V (absolute)	
EMC Industrial trucks (Norm)	DIN EN 12895	
Max. shaft load, axial	50 N	
Max. shaft load, radial	100 N	
Mechanical stop	no	
Actuating lever	Selectable	
Protection class	IP67 DIN EN 60529	
Operating temperature min.	-40 °C	
Max. operating temperature	85 °C	
Min. storage temperature	-40 °C	

Attribute	424CJ360	424C0360
Max. storage temperature	85 °C	
Torque for fastening screws	2.5 N m	
Connector type	Deutsch DT04-6P	