

Plunger switch 144

The plunger-operated switches from elobau are extremely robust. The robustness is ensured by the high leak tightness in accordance with IP67, together with a high level of temperature stability and vibration resistance. The robust design and availability of different versions make them extremely versatile in use. Depending on the version, they can be used to detect the positions of shafts or pistons in different applications.

Typical applications are gearboxes, drive and conveyor components or the sensing of end positions in industrial applications.

Product characteristics

- Extreme operating temperature range from -25 °C to +130 °C
- IP67 protection class
- Various materials and designs available
- Variants with cable output as well as various connectors
- Different options for switching paths (4-12mm)
- Can be modified according to requirements

Technical drawing

IMAGE 1/3

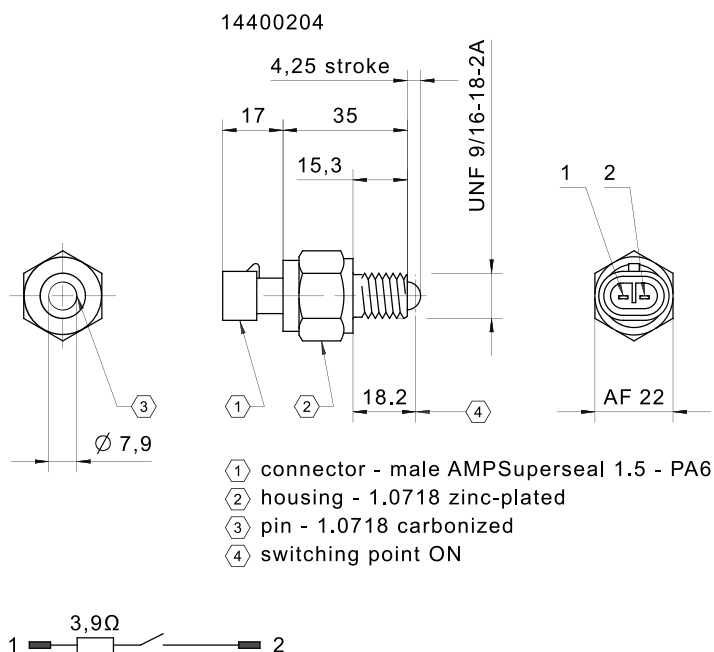
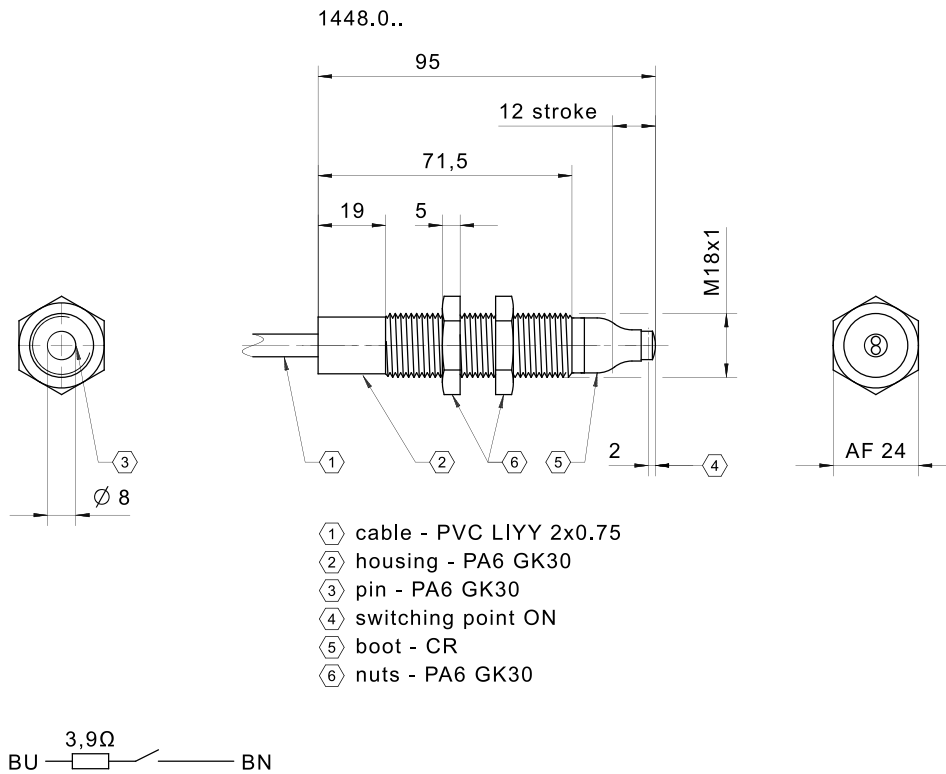


IMAGE 2/3

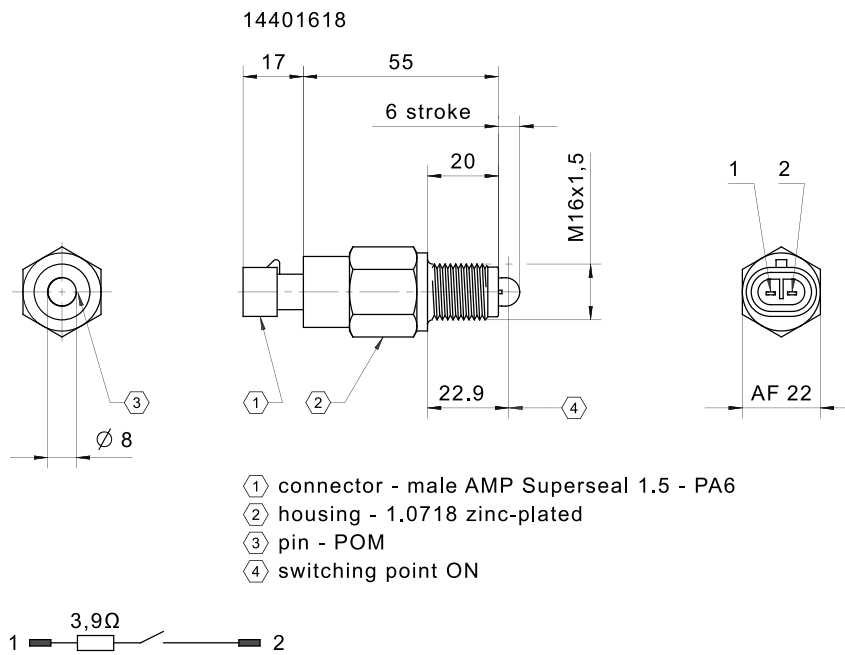
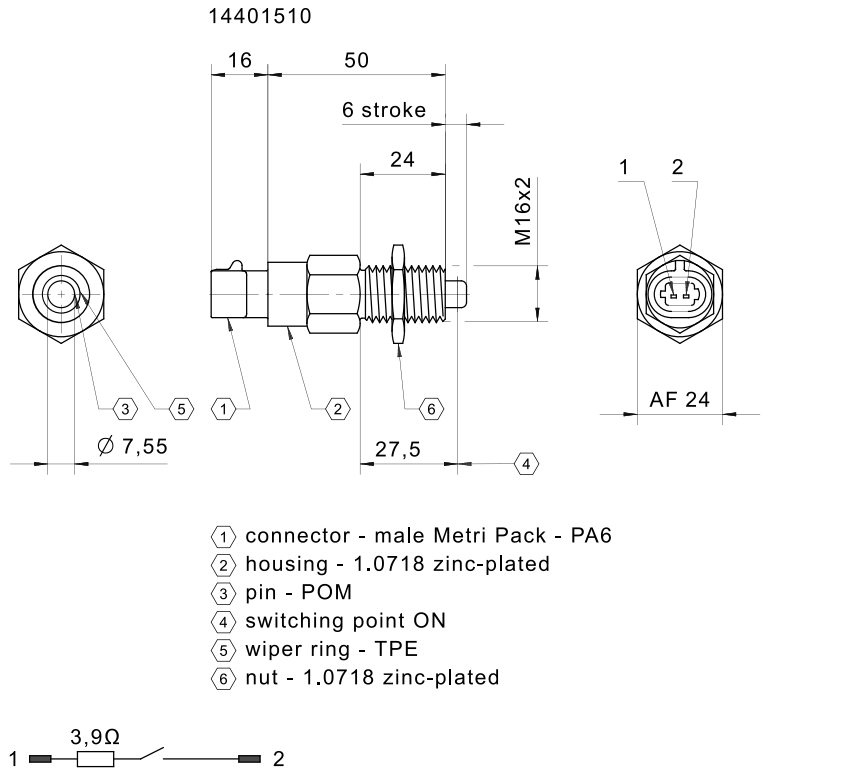
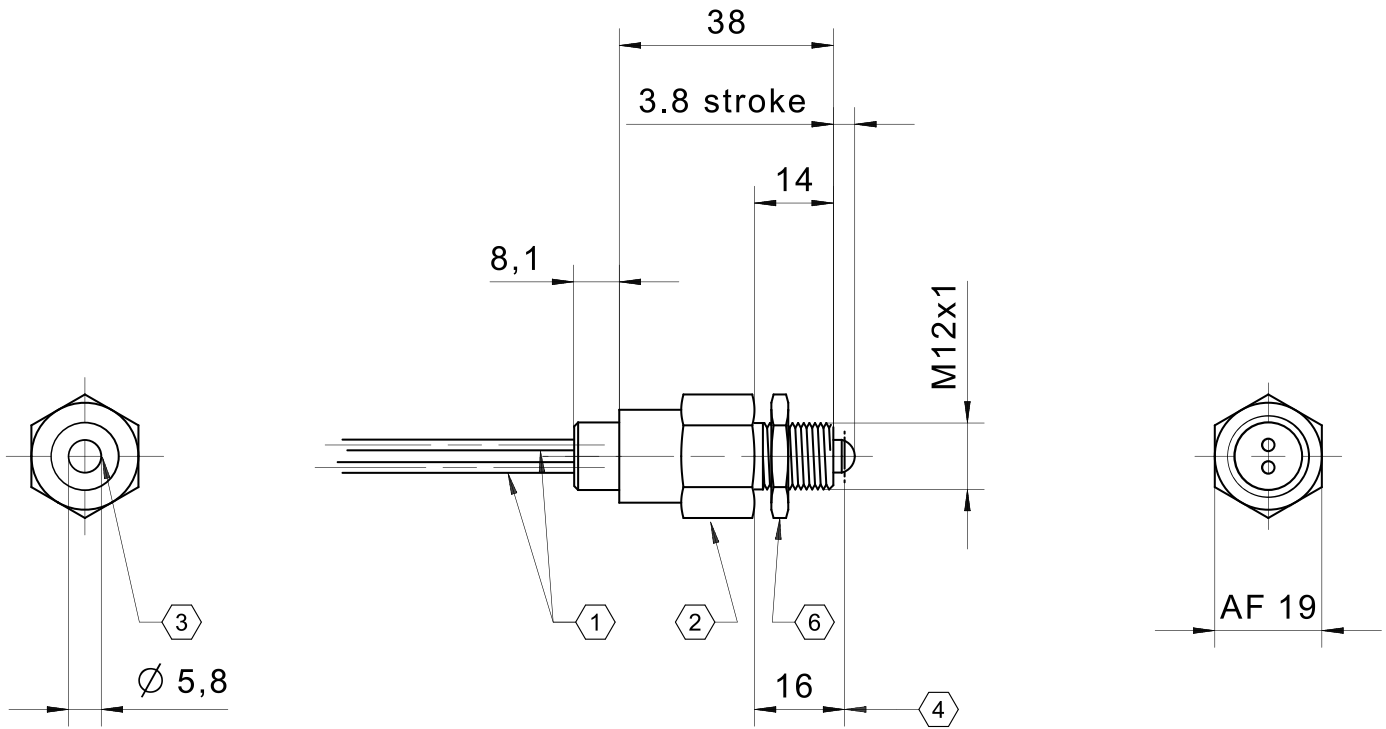
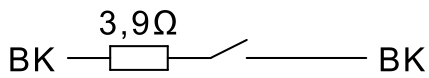


IMAGE 3/3

14452105



- ① sealed single wire
- ② housing - 1.0718 zinc-plated
- ③ pin - 1.0718 carbonized
- ④ switching point ON
- ⑥ nut - 1.0718 zinc-plated



Article characteristics

| Attribute | 14400204 | 14401510 | 14452105 | 144810 | 144820 |
|--|----------------------|---------------------|---------------|---------------|--------|
| Max. switching voltage | 48 V DC | | | | |
| Max. switching voltage | 48 V AC | | | | |
| Max. switching current | 0.3 A | | 0.5 A | | |
| Contact form | NO | | | | NC |
| Technology | Reed | | | | |
| Max. switching power | 0.34 W | | | 10 W | |
| Actuation | front | | | | |
| Switching principle | magnetic | | | | |
| Series resistor | 3.9 Ohm | | | - | |
| Dimensions | L=56,25mm / SW22 | L=66mm / SW19 | L=50mm / SW19 | L=95mm / SW24 | |
| Stroke | 4.3 mm | 6 mm | 4 mm | 12 mm | |
| Housing material | 1.0718 Fe/Zn10/B | 1.0718 Fe/Zn8/Cn/T2 | | PA6GK30 | |
| Nut material | - | 1.0718 Fe/Zn8/Cn/T2 | | PA6GK30 | |
| Cable material | - | | | PVC | |
| Protection class | IP67 DIN EN 60529 | | | | |
| Operating temperature min. | -25 °C | -30 °C | -25 °C | | |
| Max. operating temperature | 130 °C | 100 °C | 85 °C | 75 °C | |
| Min. cable temperature range, moving | - | | | -5 °C | |
| Max. cable temperature range, moving | - | | | 70 °C | |
| Min. cable temperature range, fixed installation | - | | | -25 °C | |
| Max. cable temperature range, fixed installation | - | | | 70 °C | |
| Min. storage temperature | -25 °C | -30 °C | -25 °C | | |
| Max. storage temperature | 130 °C | 100 °C | 85 °C | 75 °C | |
| Mounting type | Thread | | | | |
| Thread | 9/16-18-2A UNF | M16x2 | M12x1 | M18x1 | |
| Connector type | AMP Superseal 2-pol. | Metri-Pack | - | | |
| Cable length | - | | 0.5 m | 1 m | |