

Vane switch 147

Vane switches are actuated by ferromagnetic metal plates at the gap of the U shaped housing, so no additional actuating magnet is required. Can also be mounted directly onto metal.

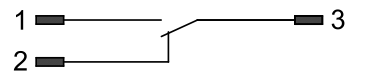
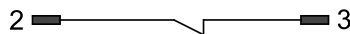
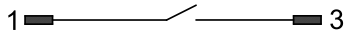
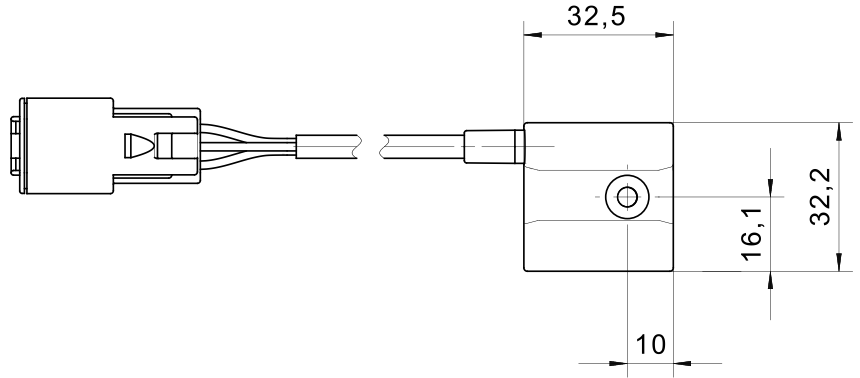
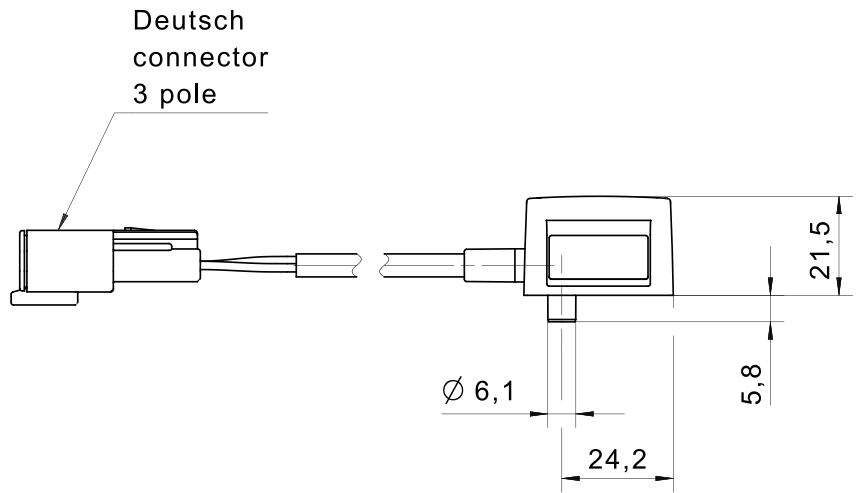
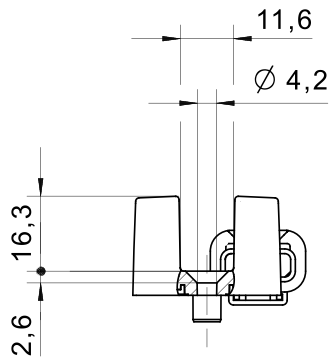
Different variants are available, allowing the switch to be used in a variety of applications, e.g. challenging off-highway tasks or position sensing in plant and mechanical engineering.

Product characteristics

- No additional actuating magnet necessary
- Compact housing for space-saving installation
- Temperature stability and vibration resistance specially configured for the requirements of automotive applications
- IP6K7 protection class
- PBT housing
- 32.5 x 32.25 x 21.51 mm
- PUR cable with Deutsch connector

Technical drawing

IMAGE 1/1



Product options

IMAGE 1/1

ORDERING KEY

1471			Vane switch, reed contact
	02B		N.O. - cable connection 0.3m with Deutsch connector DTM04-3P
	12B		N.C. - cable connection 0.3m with Deutsch connector DTM04-3P
	22B		C.O. - cable connection 0.3m with Deutsch connector DTM04-3P
			More connectors and slot switches without connectors on request
			Other available cable lengths
		-3	3 m
		-5	5 m
		-10	10 m
			Other cable materials and cable lengths on request

Article characteristics

Attribute	147102B	147112B	147122B
Max. switching voltage		48 V DC	
Max. switching voltage		48 V AC	
Max. switching current		0.5 A	
Max. switching power		10 W	
Contact form	NO	NC	CO
Technology		Reed	
Switching principle		magnetic	
Housing colour		Grey	
Dimensions		32,5x32,25x21,51	
Housing material		PBT	
Cable material		PUR	
Protection class		IP6K5 / IP6K7 ISO20653	
Operating temperature min.		-40 °C	
Max. operating temperature		85 °C	
Min. storage temperature		-40 °C	
Max. storage temperature		85 °C	
Min. cable temperature range, moving		-30 °C	
Max. cable temperature range, moving		90 °C	
Min. cable temperature range, fixed installation		-40 °C	
Max. cable temperature range, fixed installation		90 °C	
Shock resistance (Norm)		EN 60068-2-27	
Vibration resistance (Norm)		EN 60068-2-64	
Mounting type		screwed	
Connector type		Deutsch DTM 3pol.	
Cable length		0.3 m	