

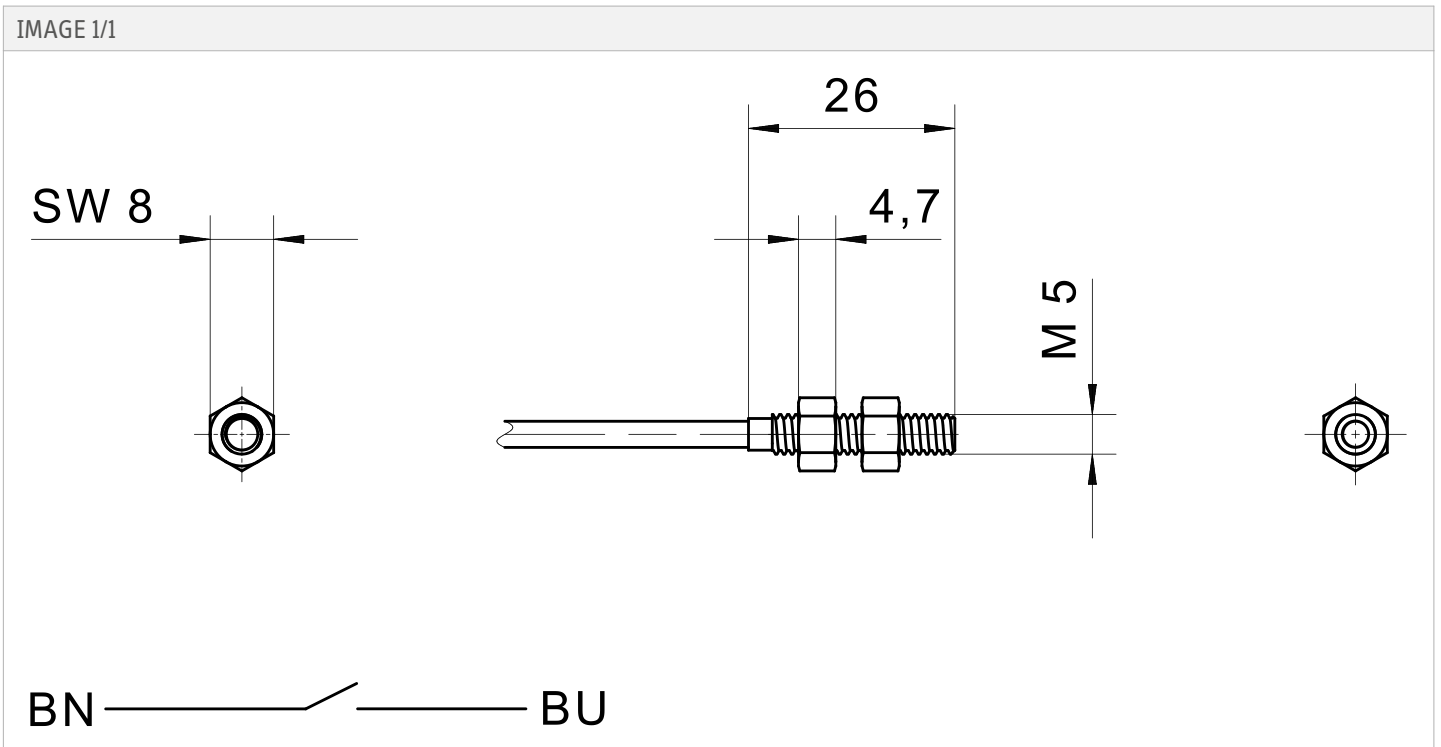


Magnetic sensor 133

Product characteristics

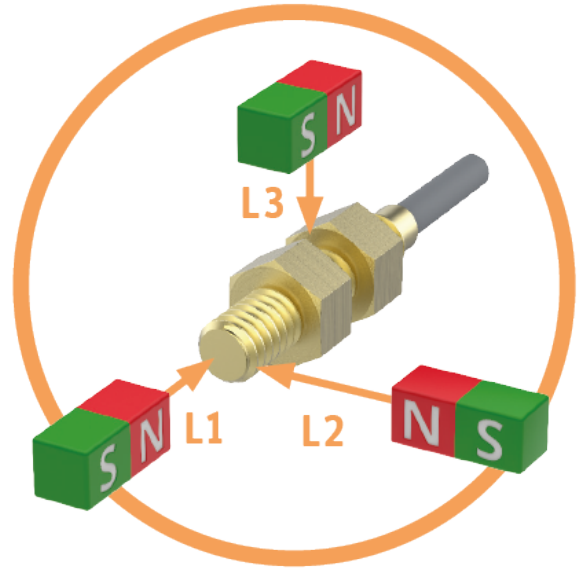
- Magnetic sensor on reed-contact basis
- Small and sturdy brass housing with external thread and fastening nuts for space-saving installation
- M5 x 26 mm
- PVC cable

Technical drawing



Product options

IMAGE 1/2



TYPICAL SWITCHING DISTANCES

	133210			133220			133230		
ACTUATORS	L1	L2	L3	L1	L2	L3	L1	L2	L3
324790	17	15	12	13	13	10	13	13	10
300790	22	20	17	18	18	16	18	18	15
300780	30	24	24	24	20	20	24	20	19

Further actuators and switching distances on request

IMAGE 2/2

ORDERING KEY

133			Magnetic sensor, reed contact
	210		N.O. – cable connection 1 m
	220		N.C. – cable connection 1 m
	230		C.O. – cable connection 1 m
			Other available cable lengths
		-3	3 m
		-5	5 m
		-10	10 m
			Other cable materials and cable lengths on request

Article characteristics

Attribute	133210	133220	133230
Max. switching voltage	48 V DC	30 V DC	48 V DC
Max. switching voltage	48 V AC	30 V AC	48 V AC
Max. switching current	0.5 A	0.2 A	0.5 A
Max. switching power	10 W	3 W	5 W
Technology	Reed		
Contact form	NO	NC	CO
LED display	No		
Actuation	front		
Switching principle	magnetic		
Dimensions	M5x26		
Housing design	cylindrical		
Housing material	Messing		
Nut material	Messing		
Cable material	PVC		
Protection class	IP67 DIN EN 60529		
Operating temperature min.	-25 °C		
Max. operating temperature	75 °C		70 °C
Min. storage temperature	-25 °C		
Max. storage temperature	75 °C		70 °C
Min. cable temperature range, moving	-25 °C		-5 °C
Max. cable temperature range, moving	80 °C		70 °C
Min. cable temperature range, fixed installation	-40 °C		-25 °C
Max. cable temperature range, fixed installation	80 °C		70 °C
Mounting type	screwed		
Cable length	1 m		