



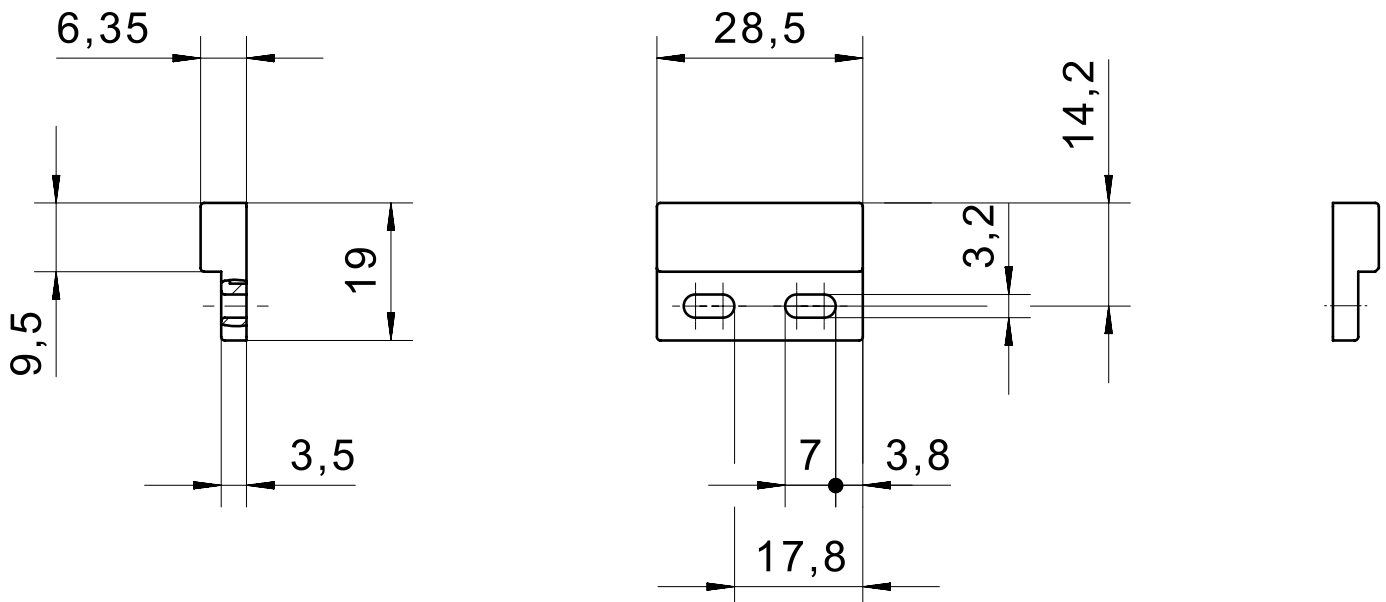
## ALNiCo magnet 324SG001 28.5x19mm

### Product characteristics

- Housing: PA
- 28.5 x 19 mm

### Technical drawing

IMAGE 1/1



**Product options**

IMAGE 1/1

**ORDERING KEY**

	<b>ALNICO magnet with housing</b>
<b>324SG001</b>	<b>With normal magnetic field</b>
<b>324SG001S</b>	<b>With amplified magnetic field</b>

### Article characteristics

Attribute	324SG001	324SG001S
Dimensions	19x28,5x6,3	
Material	PA, AlNiCo	
Operating temperature min.	-20 °C	
Max. operating temperature	100 °C	75 °C
Mounting type	Screw	