



Circular connector M8 4-pin

Product characteristics

- High protection class as well as high temperature range to meet the demands of adverse industrial environments
- Circular connector for customised assembly

Technical drawing

IMAGE 1/6

351152

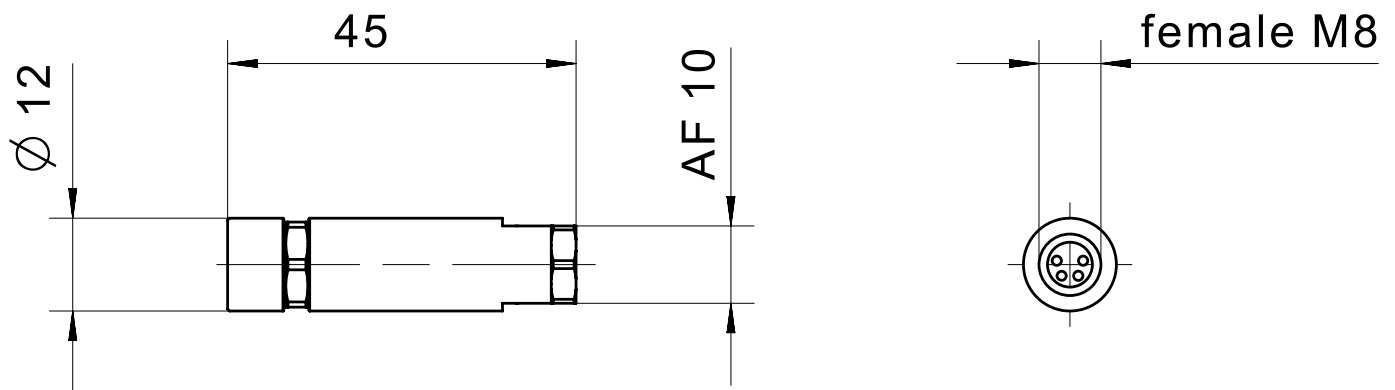


IMAGE 2/6

female M8

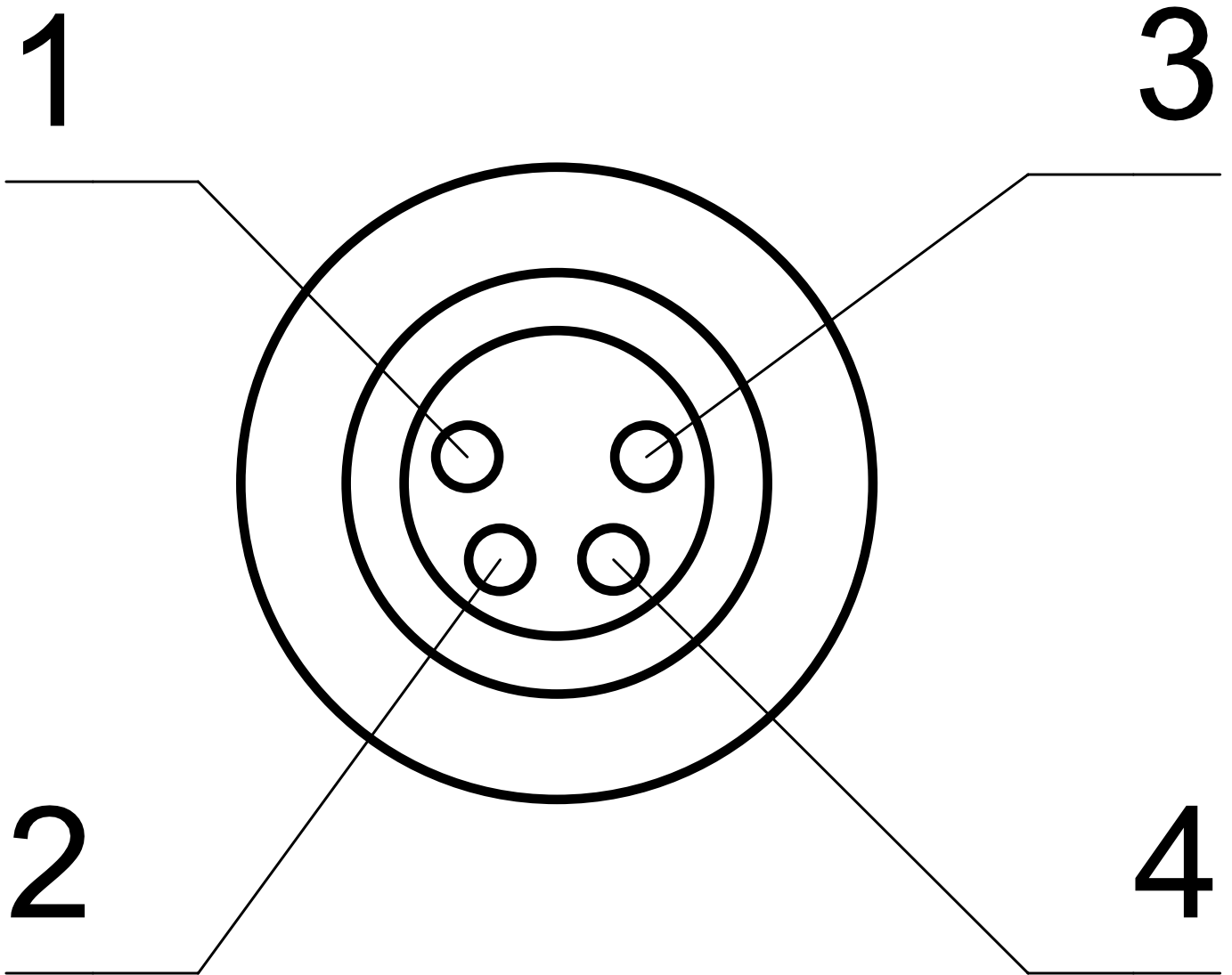


IMAGE 3/6

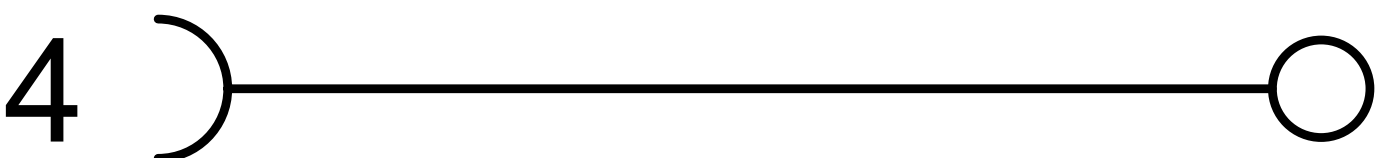
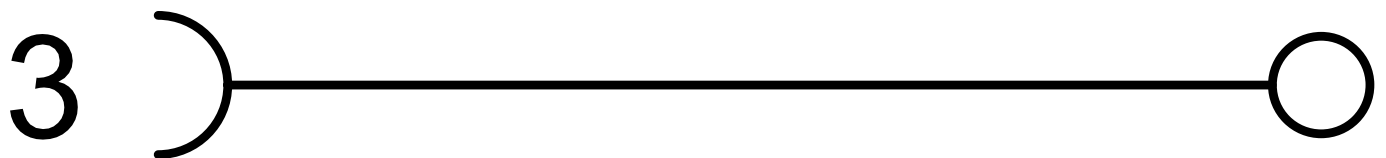
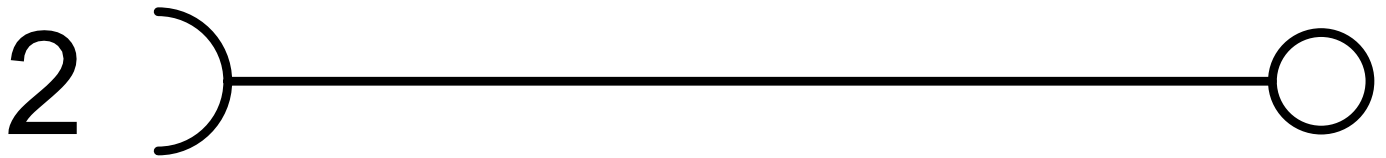


IMAGE 4/6

351153

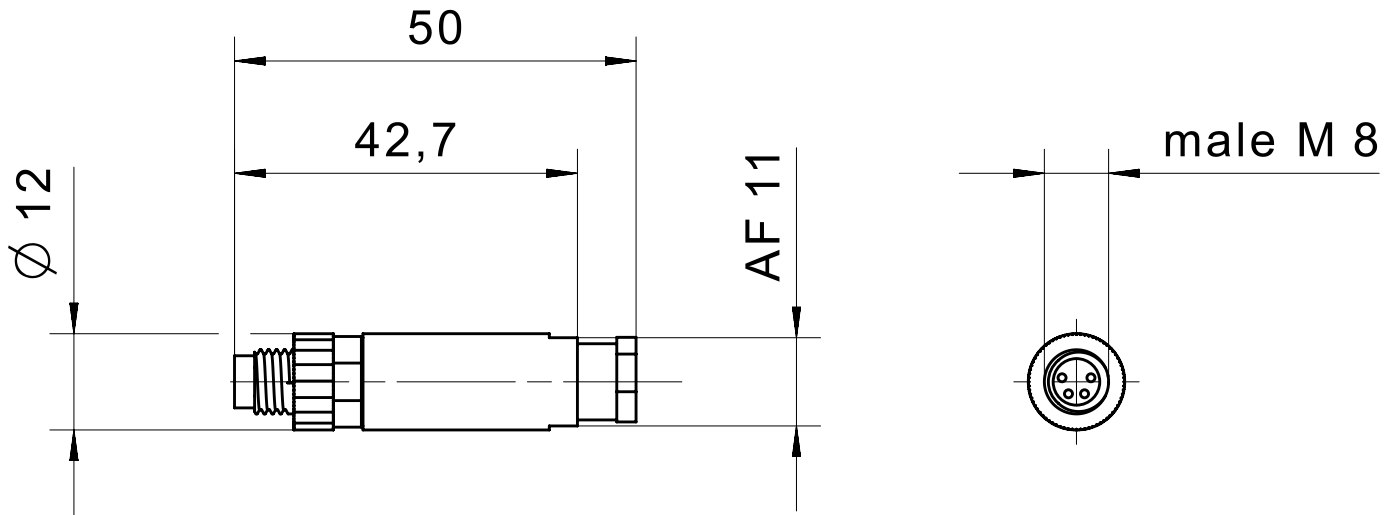


IMAGE 5/6

male M8

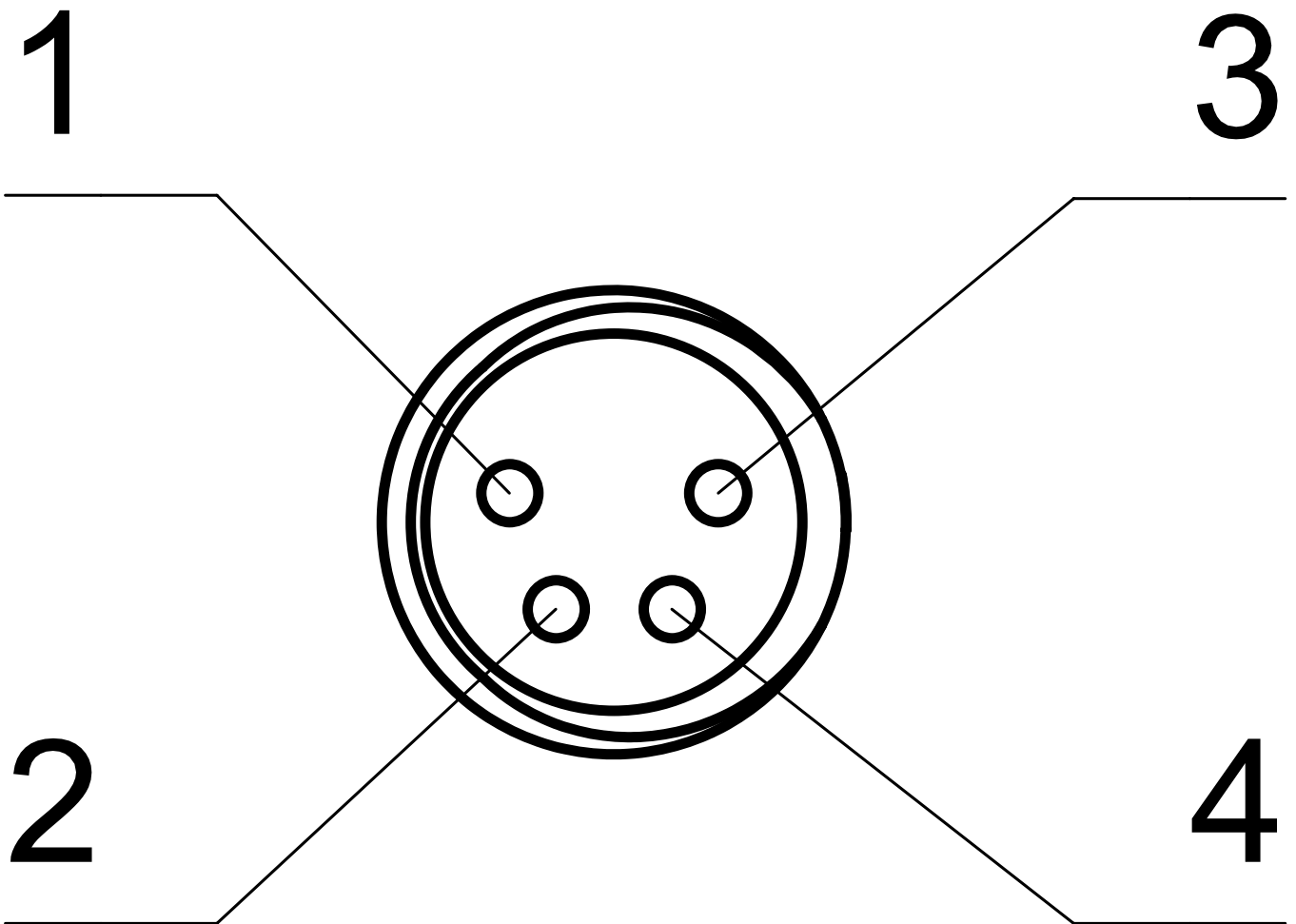
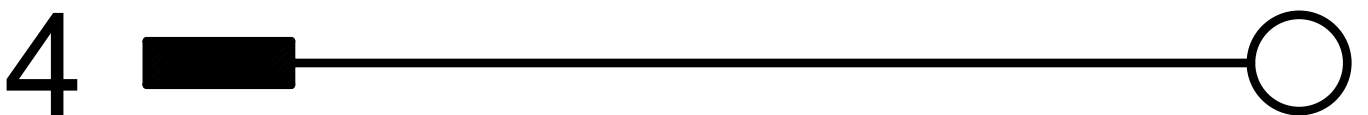


IMAGE 6/6



Product options

IMAGE 1/1

ORDERING KEY

| | | |
|------------|------------|--|
| 351 | | Circular connector, 4-pin |
| | 152 | Coupling socket M8 |
| | 153 | Coupling connector M8 |
| | 150 | Coupling socket M12 |
| | 151 | Coupling connector M12 |
| | | |
| | | more coupling sockets / connectors on request |

Article characteristics

| Attribute | 351152 | 351153 |
|--|----------------------|------------------------|
| Max. switching current per contact | 4 A | |
| Rated impulse withstand voltage (Uimp) | 800 V | |
| Operating voltage max. | 240 V DC | |
| Operating voltage max. | 240 V AC | |
| Nut material | CuZi nickel-plated | |
| Overmould material | PA | |
| Operating temperature min. | -40 °C | |
| Max. operating temperature | 85 °C | |
| Min. storage temperature | -40 °C | |
| Max. storage temperature | 85 °C | |
| Pollution degree | 3 | |
| Torque for nuts | 0,5 N m | |
| Connector type | M8 socket, straight | M8 connector, straight |
| Cable diameter | 3,5 - 5,5 mm | |
| Number of pins | 4 | |
| Connection type | Screw connection | |
| Min. connection cross section | 0.14 mm ² | |
| Max. connection cross section | 0.5 mm ² | |