



Mounting bracket for sensors

Product characteristics

- Suitable for M18 and M30 sensors
- Different materials and variants suitable for various installation situations

Technical drawing

IMAGE 1/4

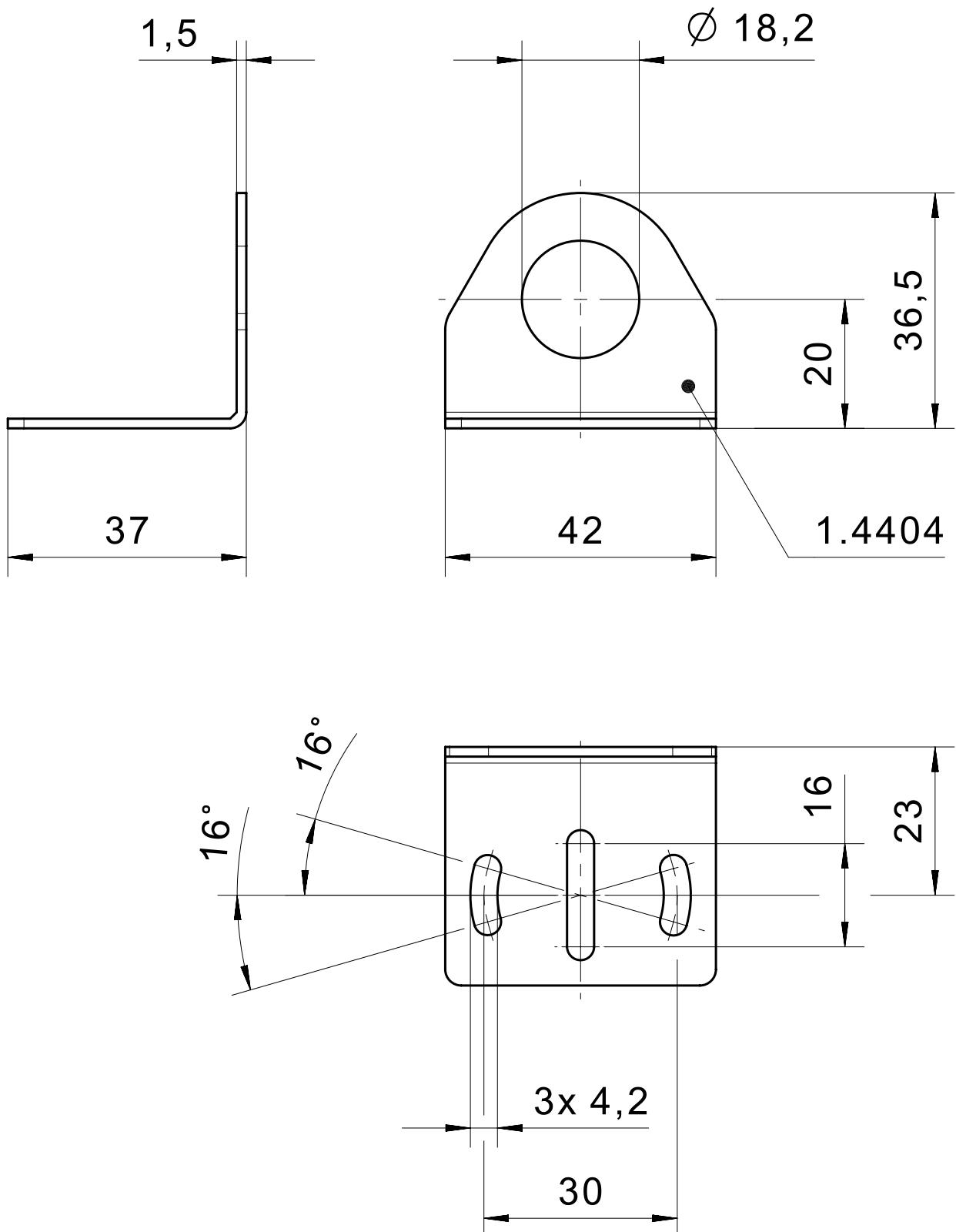


IMAGE 2/4

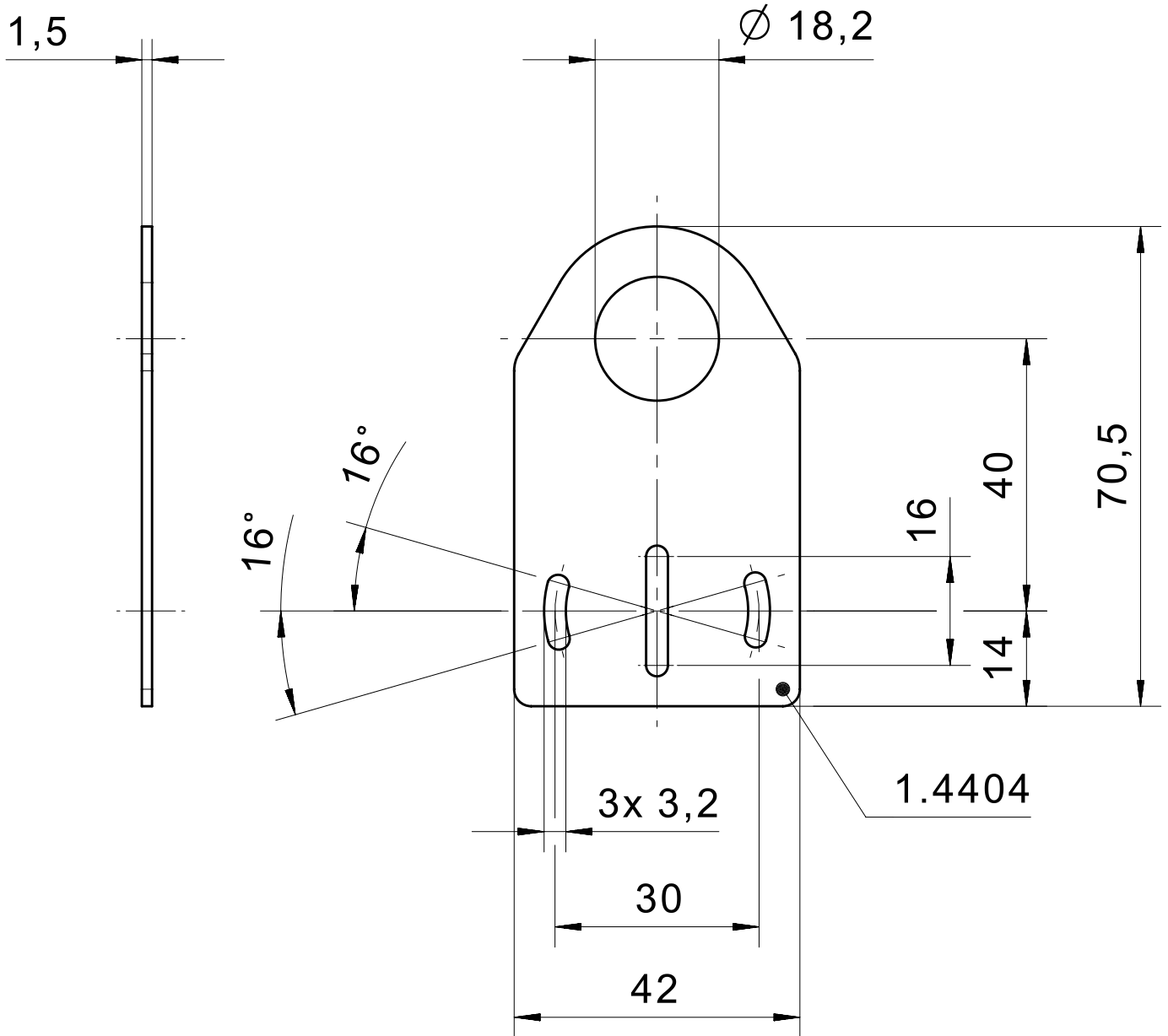


IMAGE 3/4

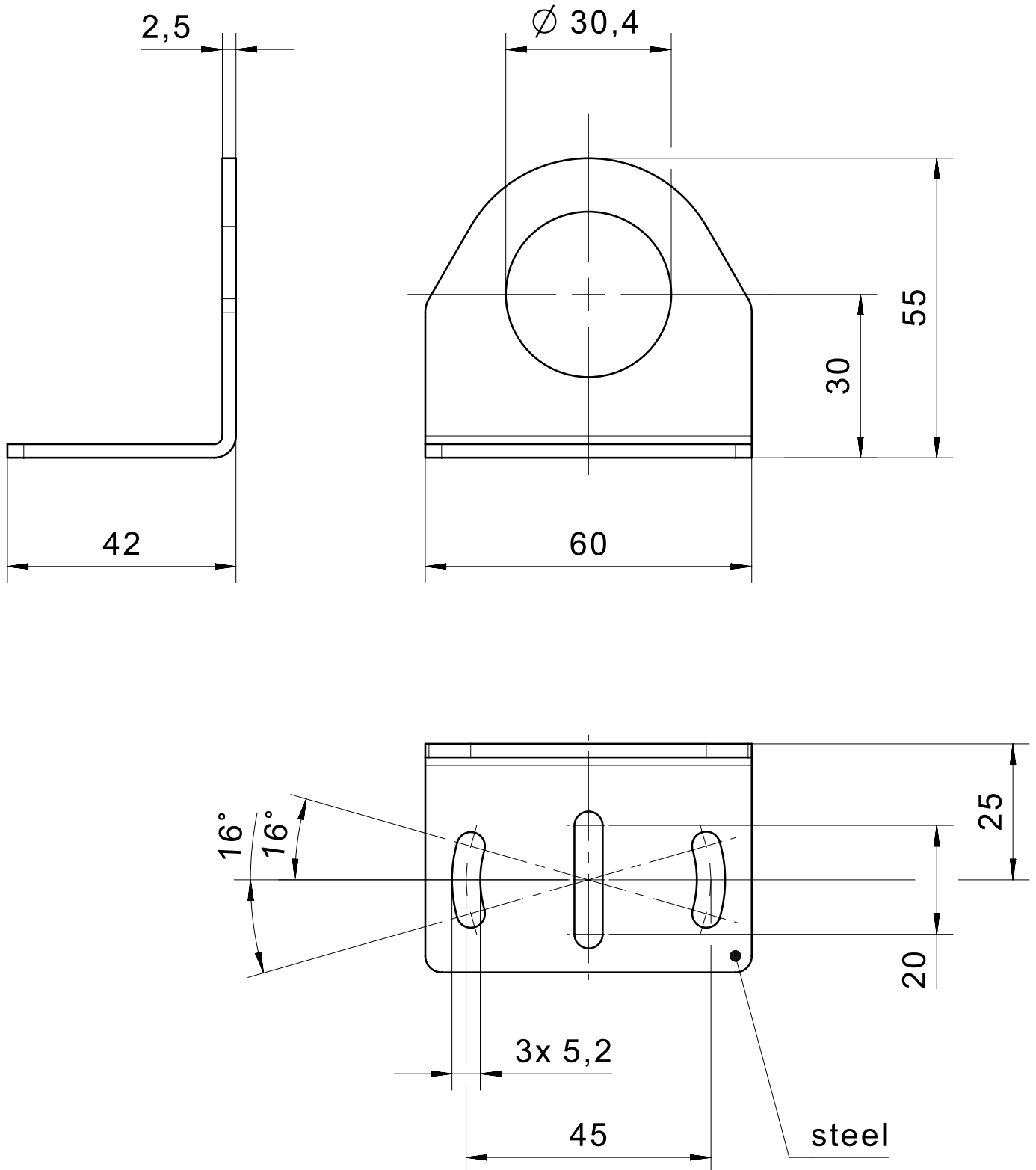
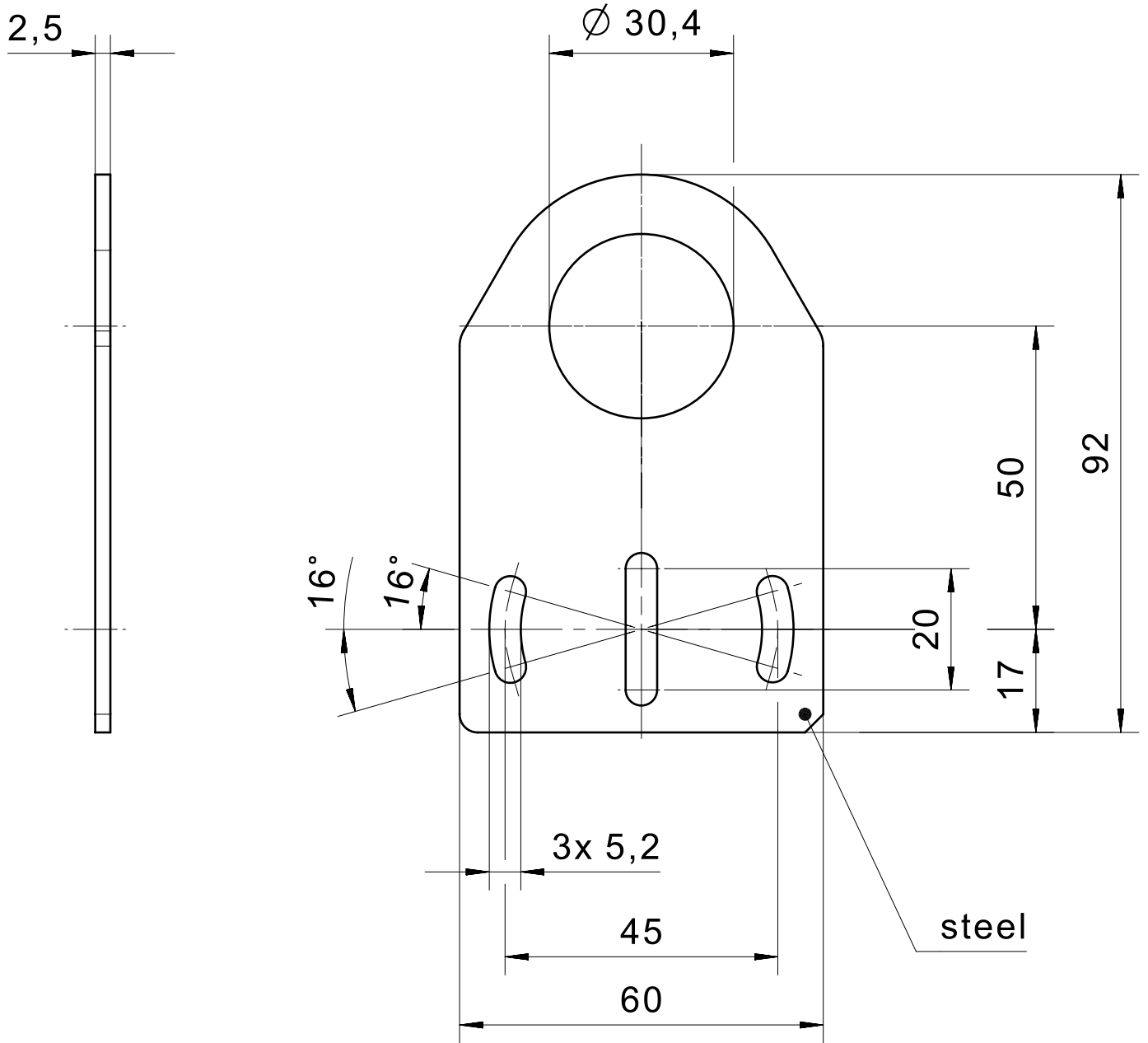


IMAGE 4/4



Product options

IMAGE 1/1

ORDERING KEY

M18VA-01	Mounting aid	M18 sensors (DIN 1.4404)
M18VA-090-01	Mounting brackets	M18 sensors (DIN 1.4404)
M30-01	Mounting aid	M30 sensors
M30-090-01	Mounting brackets	M30 sensors