



## Actuation lever

Other variants available on request

### Product characteristics

- The actuating lever ideally complements the angle sensors, giving increased flexibility in connecting the angle sensor in your application
- The operating lever can be combined with almost all angle sensor variants of elobau

Technical drawing

IMAGE 1/4

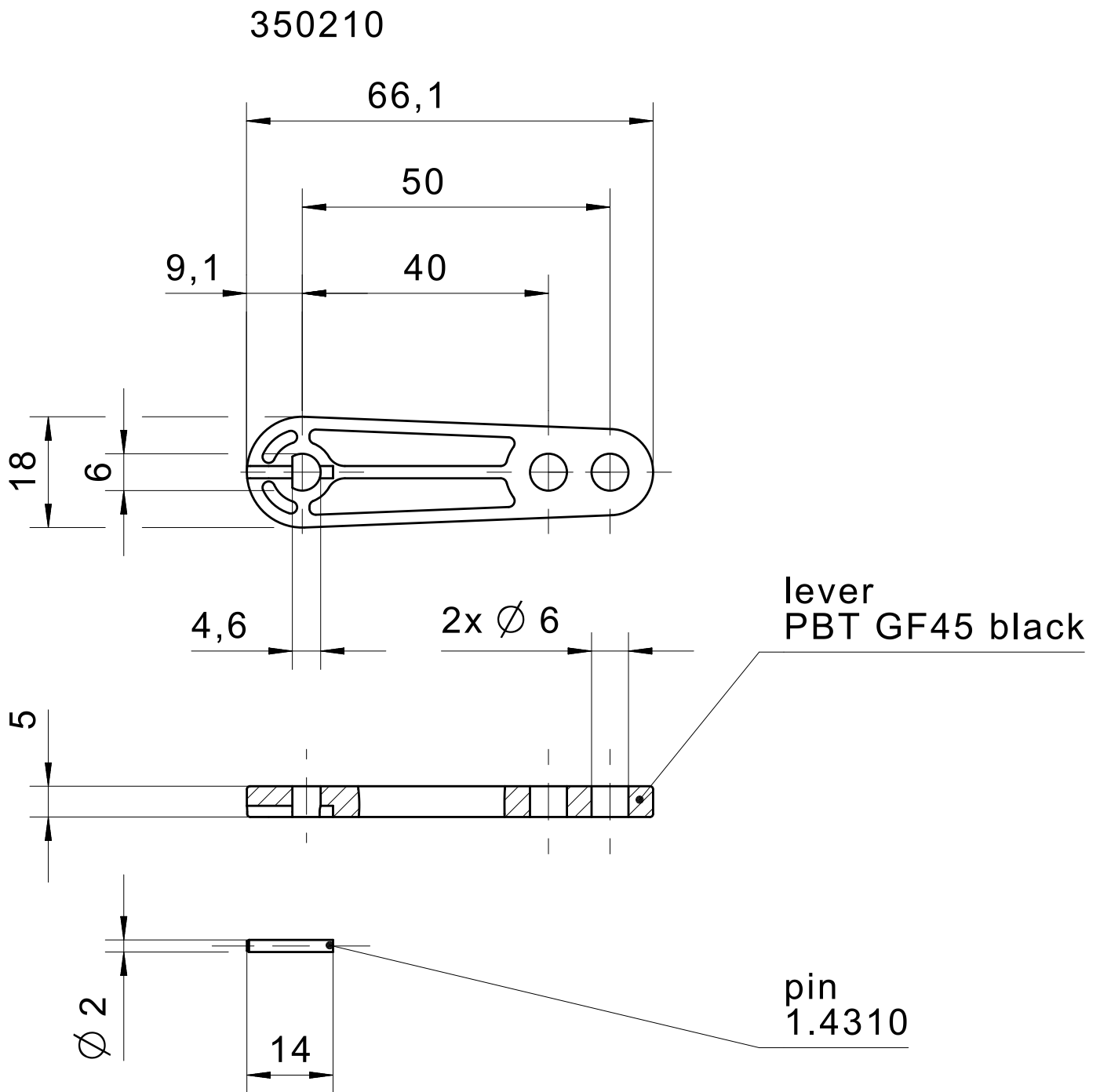


IMAGE 2/4

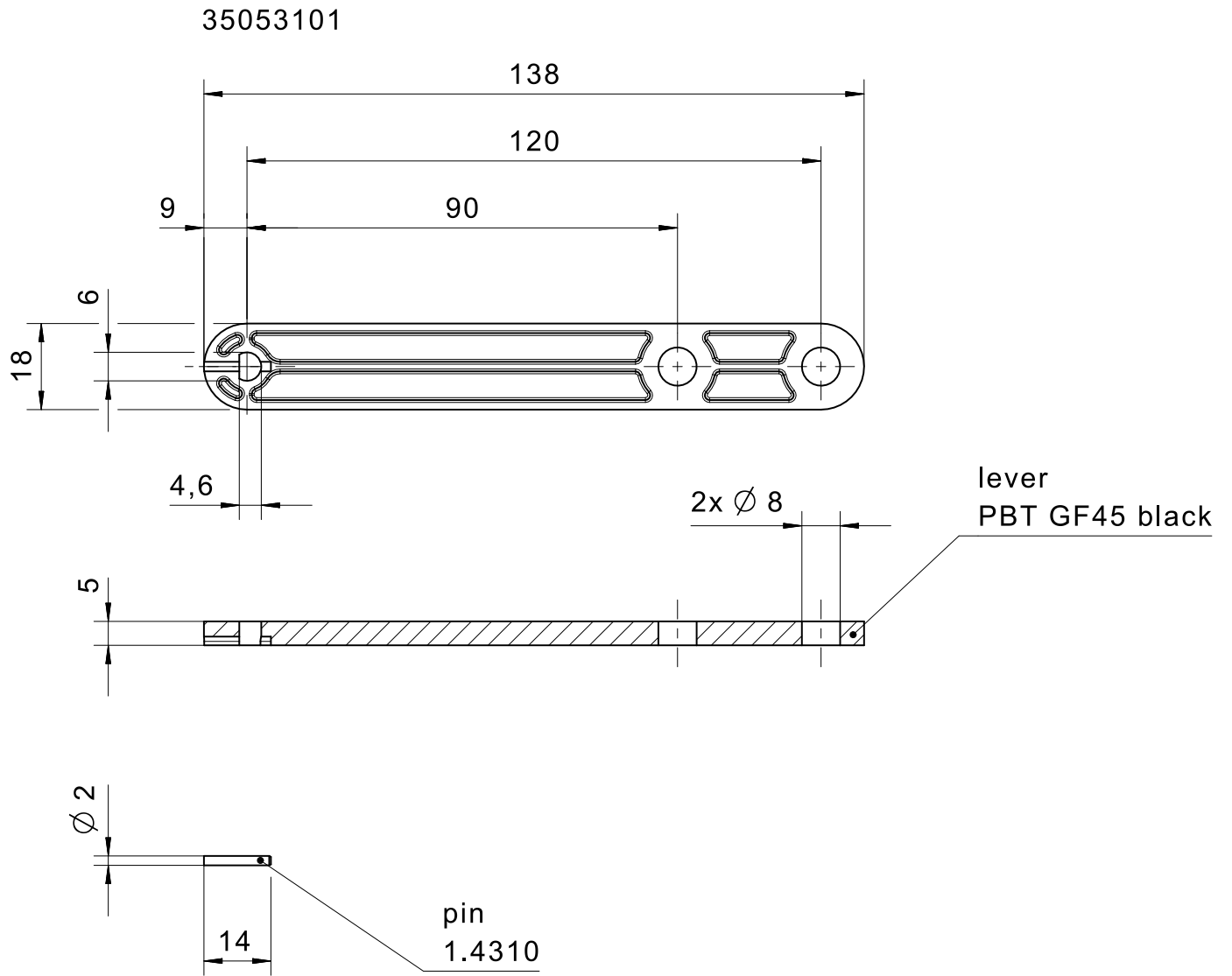
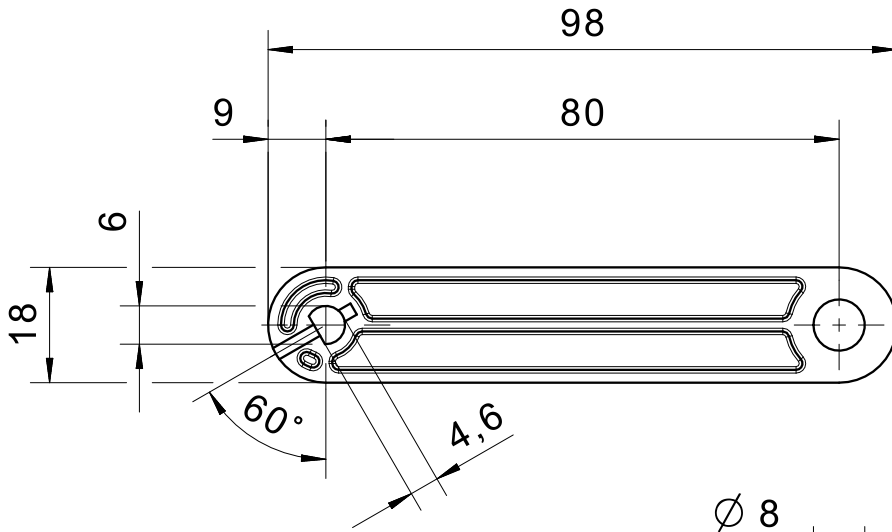
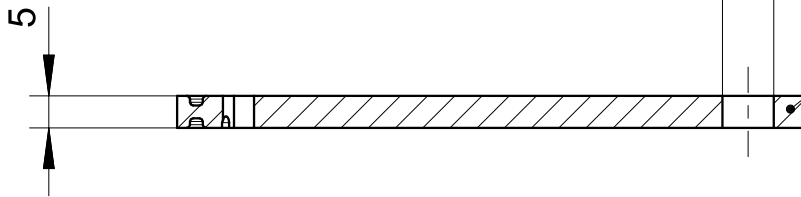


IMAGE 3/4

35053102



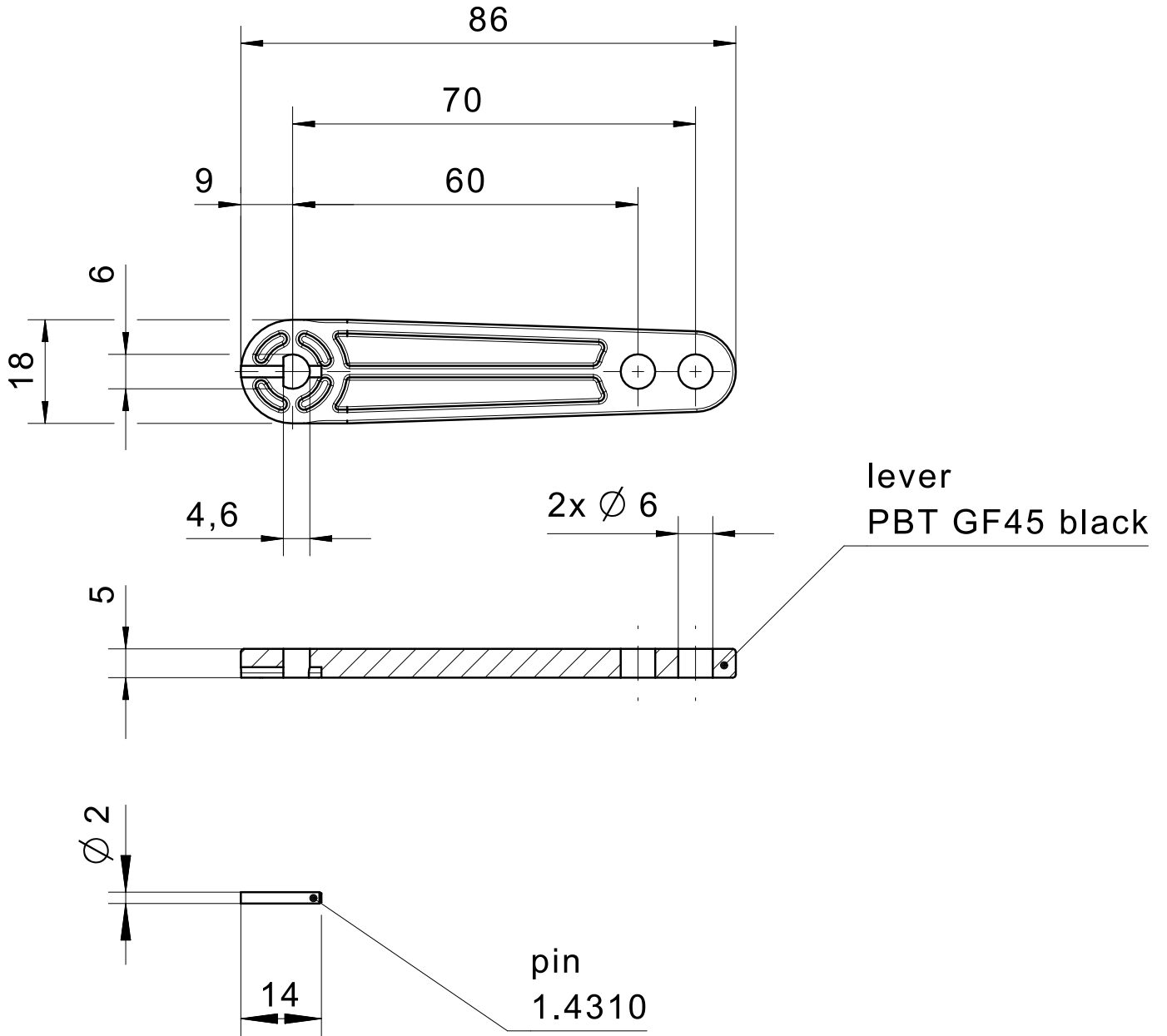
lever  
PBT GF45 black



pin  
1.4310

IMAGE 4/4

35053103



**Article characteristics**

Attribute	350210	35053101	35053102	35053103
Included with delivery	1x Actuation lever + 1x Dowel pin			
Dimensions	66,1x18x5mm / Ø2x7mm	138x18x5mm / Ø2x8mm	98x18x5mm / Ø1x8mm	86x18x5mm / Ø2x6mm
Material	PBT / 1.4310			
Mounting type	Dowel pin			