



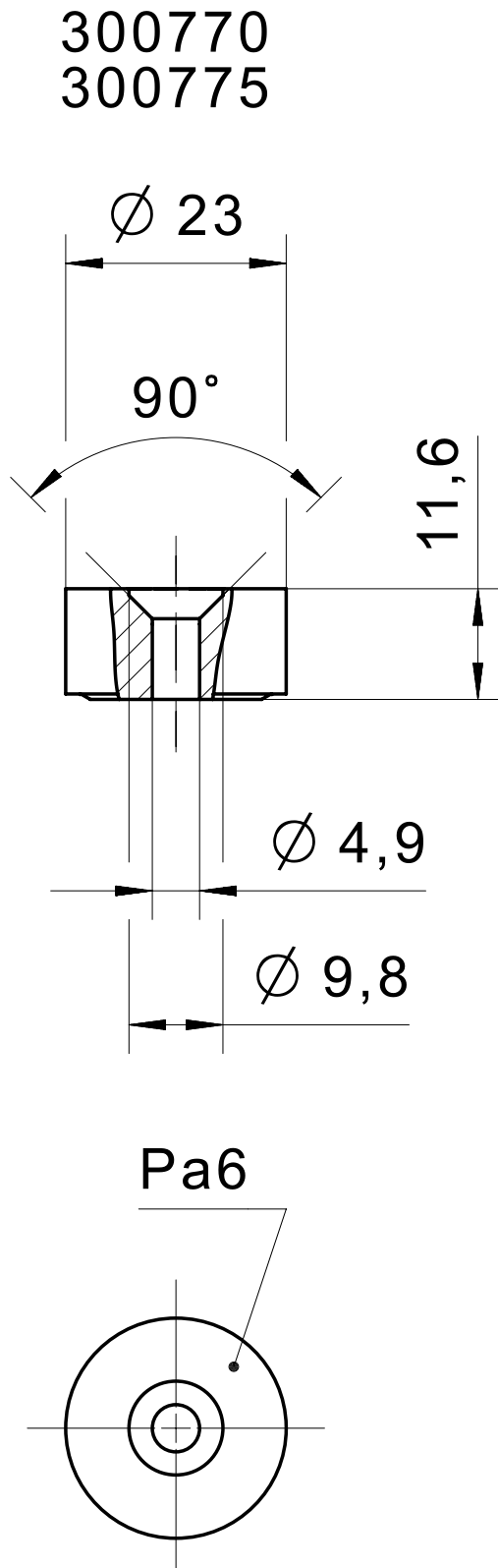
## Oxide magnet 300770 Ø22.5x11mm

### Product characteristics

- For use with magnetic sensors
- Simple installation with just one screw
- Large temperature range

Technical drawing

IMAGE 1/1



### Article characteristics

Attribute	300770
Dimensions	Ø 25 / H=11,5
Material	PA, hard ferrite
Operating temperature min.	-20 °C
Max. operating temperature	100 °C
Mounting type	Screw