

Advice

Supporting
your
success

Partnership

Mechanical Components

Mechatronics

Pneumatics and Process Technology

Clamping Components

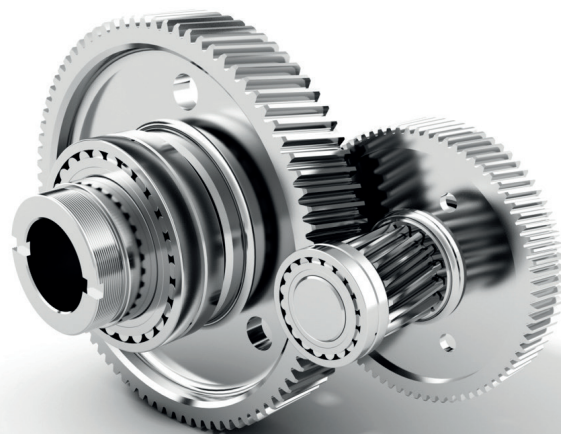
Machines

Environmental Technology



Focus on our
customers' success”

—— Stefan van der Beek



SUPPORTING YOUR SUCCESS

SERVICE & QUALITY

- **Employees of BIBUS**

Employees of BIBUS consistently think along with customers to offer solutions that address both short-term **requirements** and long-term goals.

- **BIBUS as a proactive partner**

where optimal cooperation is central.

FOUNDATION
OF BIBUS

BIBUS specializes in advice and supply of technologically high-quality industrial components and solutions. From the first idea to aftercare, BIBUS products and services are used every day at all levels.



sales@bibus.nl



+31(0)252 433733

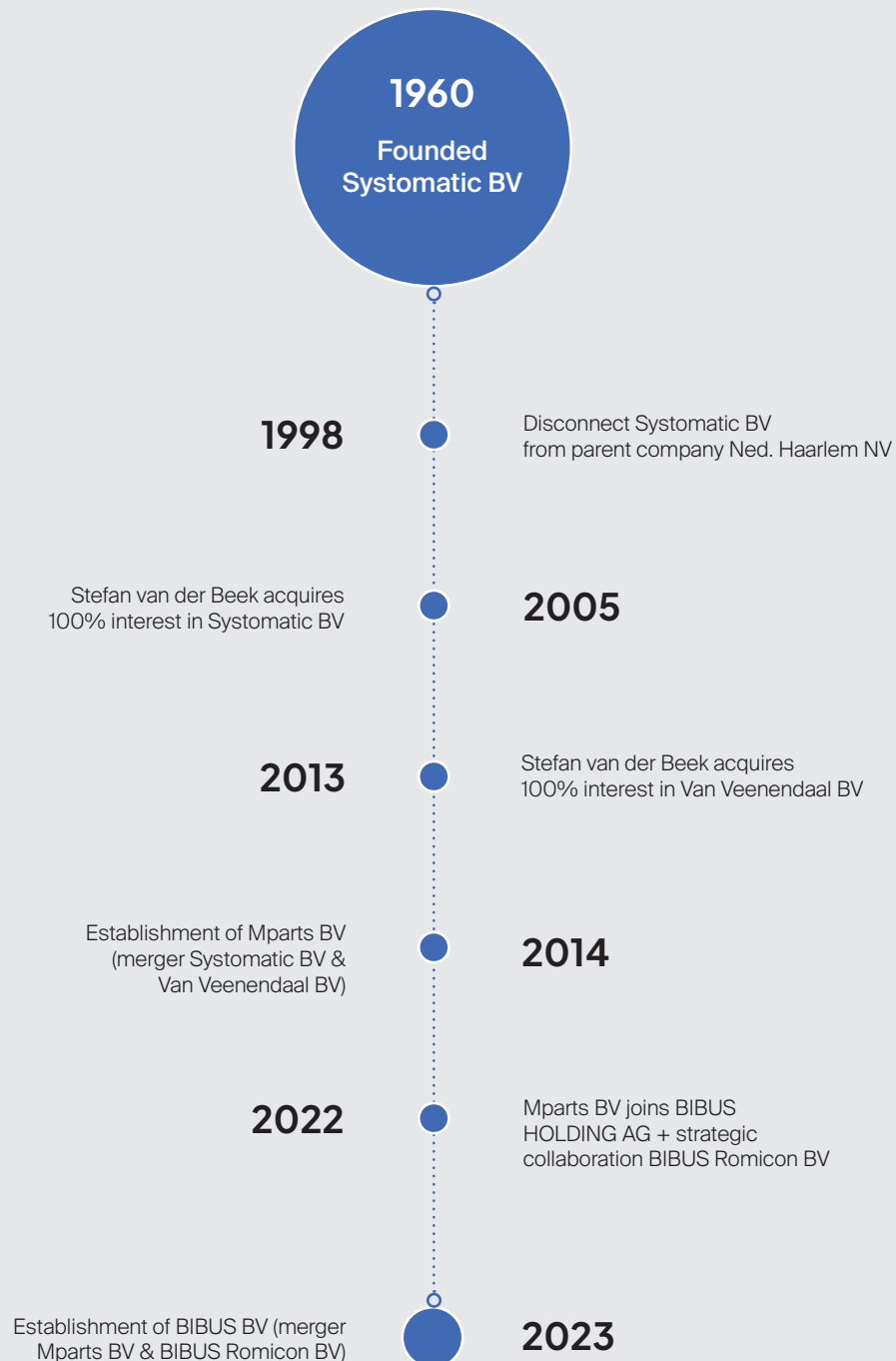


bibus.nl/en



BIBUS

HISTORY



ABOUT US

BIBUS is a successful Benelux B2B technical trading company that supplies high-quality industrial components from top foreign manufacturers to various industries, including machine and equipment builders. From the initial idea to aftercare, BIBUS products and services are utilized at all stages. The solutions offered are of excellent quality, with exceptionally extensive options.

Through years of close collaboration with clients and renowned suppliers, BIBUS has secured a permanent place in the market. The team consists of well-trained and motivated individuals with extensive practical experience and knowledge. Key aspects within the team include openness, honesty, reliability, respect, quality, and sustainability, among others. This makes BIBUS a dynamic, proactive partner where optimal cooperation is central.

”

Reliability, quality and continuity always come first at BIBUS”

—— Stefan van der Beek



PRO-ACTIVE
teamwork



ADVICE
knowledge



SOLVE
expertise



PERSONAL
involved





WHO ARE WE

- subsidiary of BIBUS Holding AG
- created by the merger between Mparts BV and BIBUS Romicon BV



BIBUS BV



one team



one product
assortment



one location



one name with a
new look

The BIBUS group

A leading company in its core activities that offers its customers high-quality products and services. The key to success is the network of partners and the knowledge and experience of its employees.

Facts and figures

BIBUS Holding AG

Founded
1947 by Dipl. Ing. Hans Bibus

Business Units
Technology, Materials,
Electronics

Core Competencies
Technics, Logistics, Services

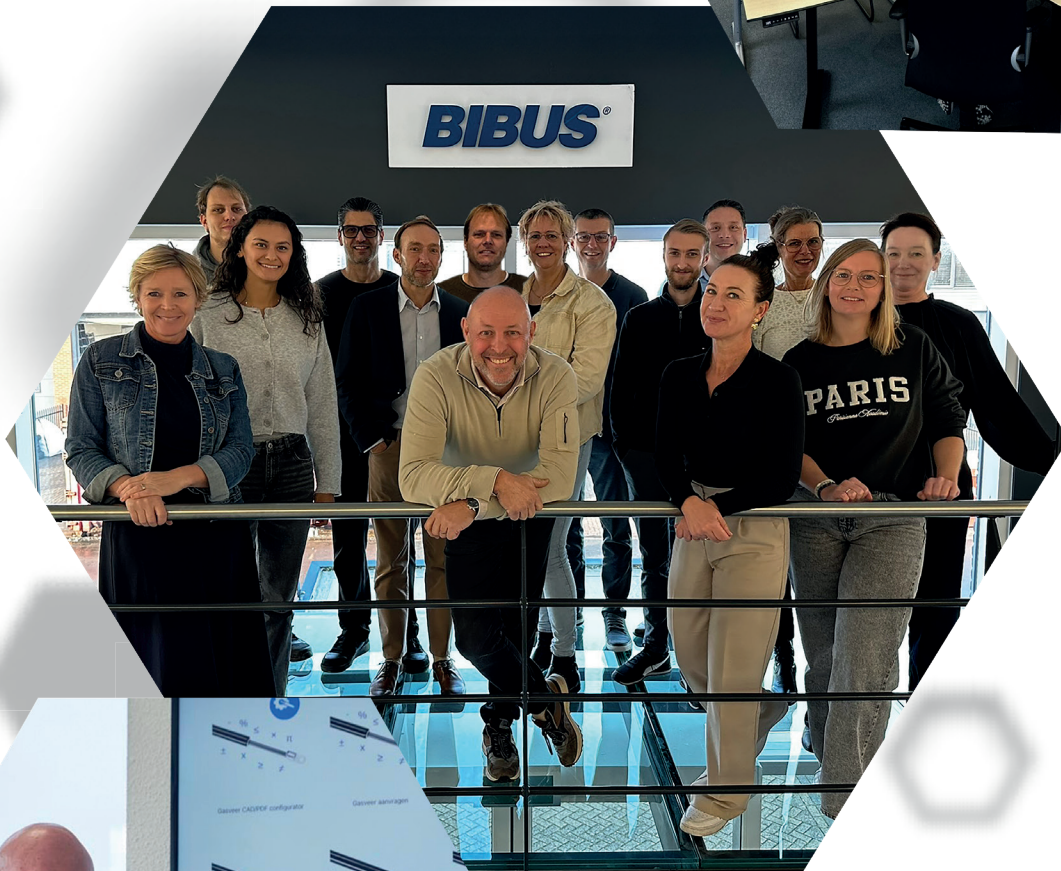
Employees
More than 1.200

International locations
32 countries

Number of companies
78 locations



THE TEAM



”

The BIBUS team has a lot of knowledge and extensive practical experience”

—— Stefan van der Beek



sales@bibus.nl



+31(0)252 433733



bibus.nl/en

DUAL STRATEGY

Our strengths

BIBUS specializes in advice and supply of technologically high-quality industrial components and solutions.



Total supplier of:

Mechanical, pneumatic and mechatronic components, process technology, environmental technology, clamping systems and machines.



Development partner and advisor for various solutions: cost-efficient, safe, high-quality and innovative.



Through collaboration, BIBUS can give the client a crucial advantage within the (relevant) market, by contributing ideas to the above solutions. BIBUS engineers are solution-oriented and can effortlessly advise and realize the most cost-efficient, safe, high-quality and/or innovative solutions during development phases. This ultimately results in a lower total cost of ownership.

BIBUS opts for a dual strategy. On the one hand, BIBUS focuses on knowledge regarding the product, market and application. There is an increasing need for detailed professional knowledge and good service. On the other hand, BIBUS focuses on the online webshop with more than 45,000 different components.

ADDED VALUE

“Our core competencies: proactive, advice and solve“

——— Stefan van der Beek



Proactive and advice

- technical knowledge and practical experience
- personal contact and involvement
- cost-saving advice



Reliable and dynamic

- trusted quality
- tailor-made solutions
- optimal service



Solving and professional

- strong in specials
- total supplier
- chain innovation

If one of its partners comes up with an innovation, BIBUS strives to make it known to its customers as quickly as possible. In this way, the customer can gain a significant competitive advantage. In short: joint sustainable innovation, or chain innovation, is the key to success according to BIBUS. At BIBUS, service is very important. Great value is attached to keeping agreements, because an

because an agreement is an agreement. Leading technology and offering support and service at all times are points on which BIBUS distinguishes itself in the market, an approach that is unique. BIBUS has its own workshop where minor adjustments can be made quickly.

BIBUS & SUSTAINABILITY

Focus for the future

At BIBUS we are proud that we are taking another step towards a greener and more sustainable future! Sustainability is of paramount importance within BIBUS BV, which is why the roof is now equipped with solar panels. Generating 100% green energy is the next step in BIBUS' sustainability policy. Is the work done now? Certainly not, it's just starting now! We remain committed to better performance in the areas of environment, sustainability, safety and health.



ON BEHALF
OF THE **BIBUS**
GROUP

It is our responsibility to consider the impact we have on the environment and take proactive steps to address and minimize it.



sales@bibus.nl

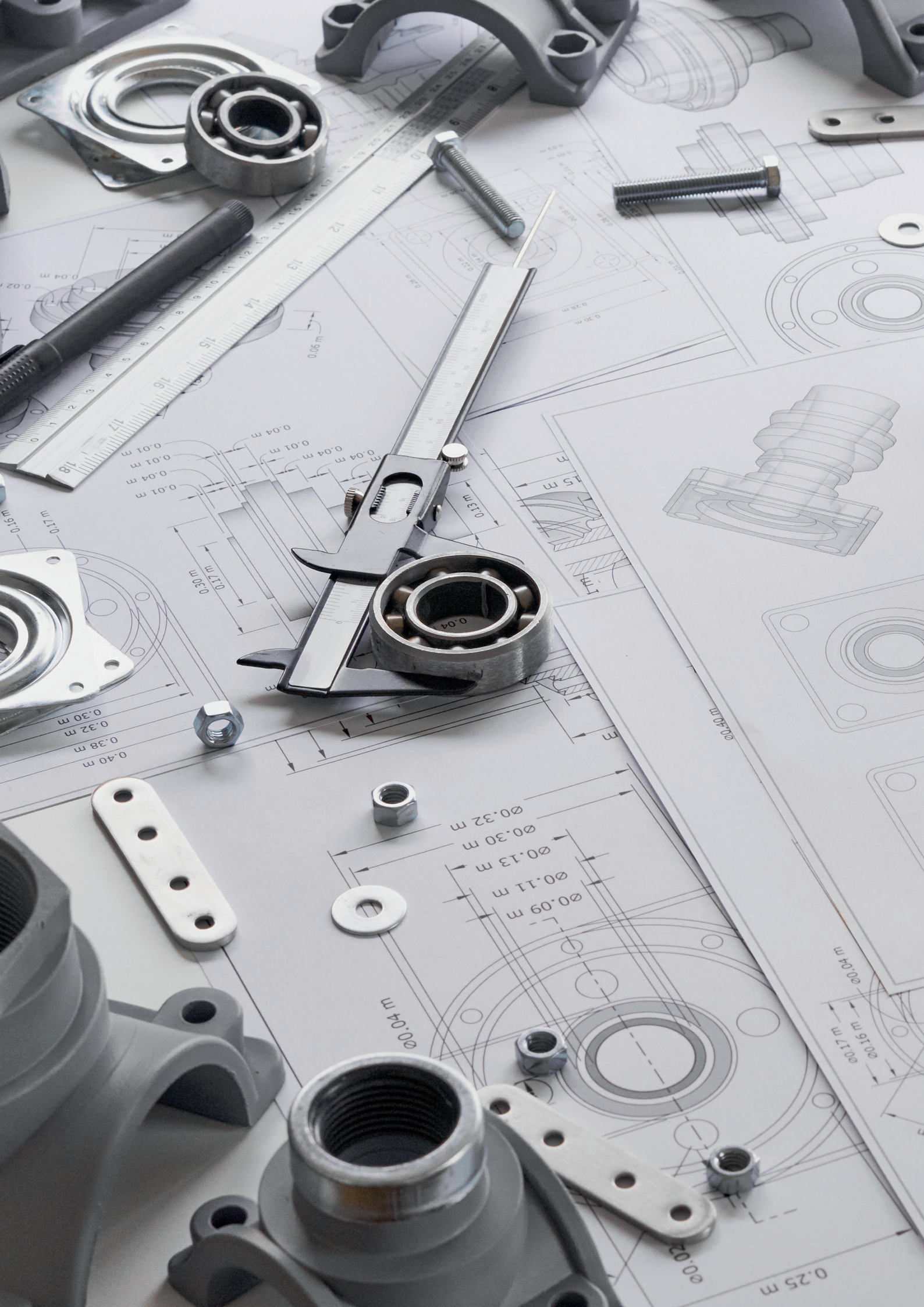


+31(0)252 433733



[bibus.nl/en](https://www.bibus.nl/en)





ASML



PHILIPS

DAF

hitech
group

mokveld



PRODRIVE
TECHNOLOGIES

MAG45
Industrial supply solutions
a solar group company

WILVO

NedTrain

TATA STEEL

Strukton

NXP

Doedijns
FLUID INDUSTRY

MANUS



EPZ

ERIKS

de JONG DUKE

VDE

Ranpak



ALPHATRON
Medical

RUBIX

PALFINGER

AGC

Steketee



polaroid

BUEAB

Bronkhorst

VMI GROUP

voestalpine
ONE STEP AHEAD.

AME
PUSHING TECHNICAL BOUNDARIES

agrifac

Logisnext

dewulf
enjoy growing

TERBERG
SPECIAL VEHICLES

RAVO BENELUX
RAVO GROUP

REFERENCES

PARTNERS



AirTAC



Bansbach
easylift



CAPTRON

CKD



elobau 
sustainable solutions

EN HALDER



JIECANG

JOYNER
pneumatic



MATRIX
mechatronics



PTM
mechatronics



Rohde
QUALITY FOR INDUSTRY

ROSS
a global entity

RSP robot system
products

RST Roztocze
LOCKING SOLUTIONS

SEOH

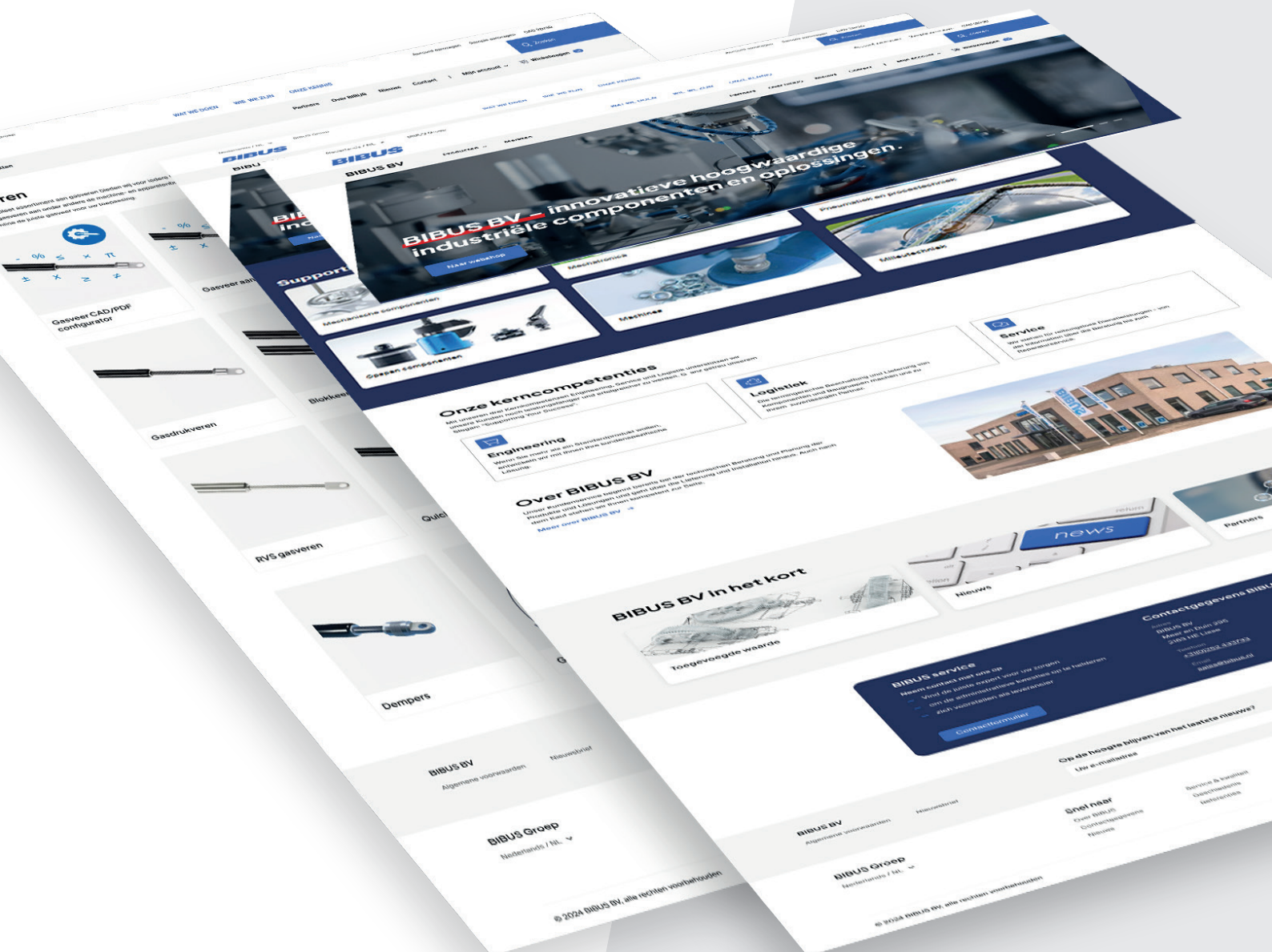
Wörner

UNIQUE SELLING POINTS

- continuity & innovative
- one-stop-shop
- A-brands & cross-selling strategy
- extensive product range
- high-quality components
- experience and knowledge of product/market combinations

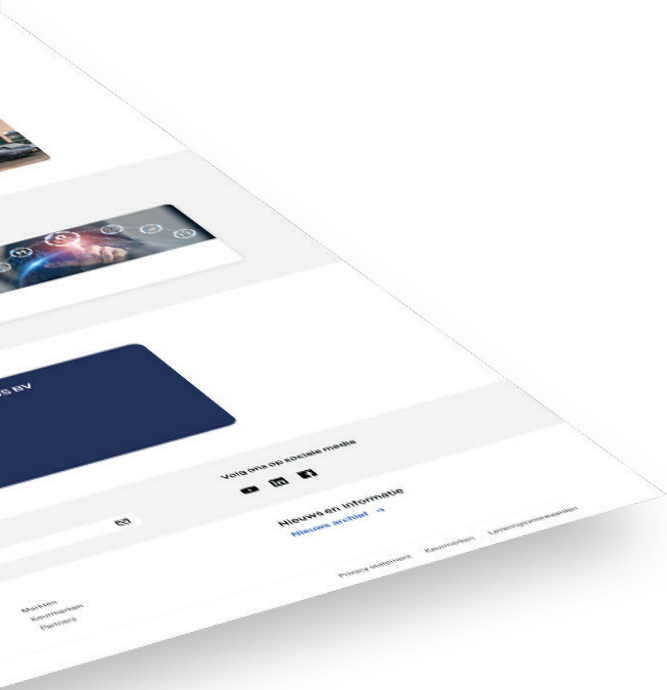


BIBUS ONLINE



The BIBUS website provides access to the webshop with no fewer than 45,000 components. Products ranging from spacers, locking bolts, hinges, pneumatics and process technology to an extensive range of gas springs and actuators. Customers have many benefits including: ordering 24/7, viewing order history, no minimum order value, customer-specific discounts and lower order and shipping costs.

The website can be searched easily by color, material, type of product, BIBUS or supplier code. The product you are looking for is in all cases shown with a photo, dimensional drawing, technical characteristics, product specifications and a download functionality for the product data sheet. For a large number of products it is possible to download a CAD file and/or a 2D or 3D drawing. The delivery time is also transparent.



2D - 3D files

- download quickly and easily
- configure CAD files yourself
- create the actuator/gas spring yourself



Wide range online

- up-to-date and practical product information
- insight into delivery times and conditions
- lower order and shipping costs



Order 24/7

- knowledge at your fingertips
- request samples
- extensive search functions

BENEFITS ONLINE ORDERING

Order online with a wide range to choose from, easy comparison, detailed information, fast delivery and various CAD configurators. It is a convenient and efficient way to find the right components and successfully carry out your projects.

MARKETING & COMMUNICATION

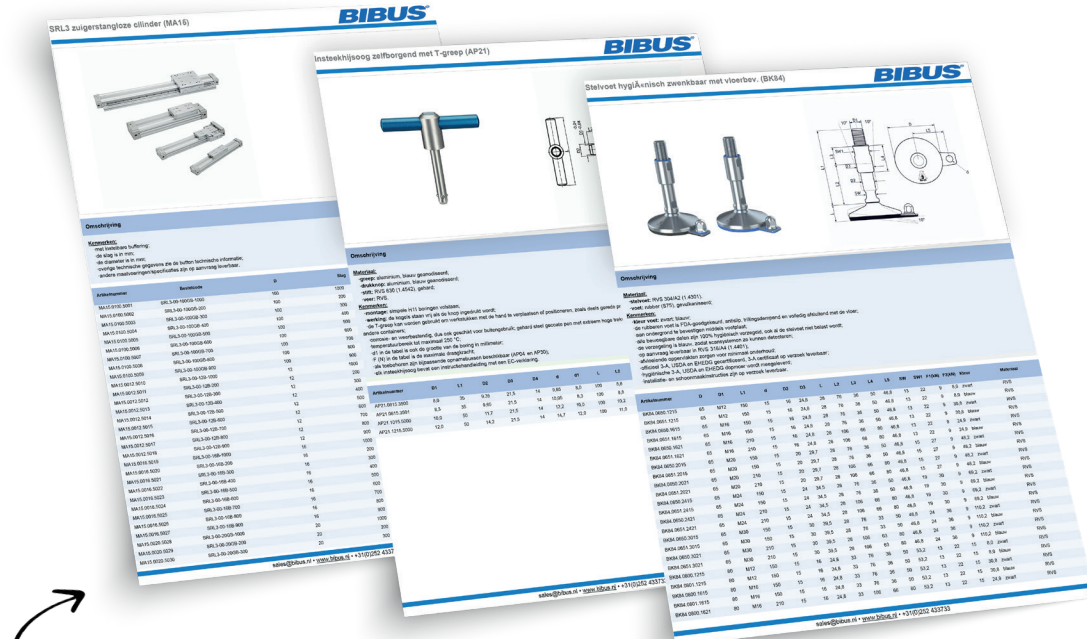
Online & Offline

- website NL & ENG
- newsletters: monthly, informative, innovations
- social media: LinkedIn, Youtube
- technical articles & press releases
- exhibitions
- documentation by the website:
real-time printing from SAP-database



DOCUMENTATION NL & ENG

Direct & Up-to-date



direct download

SOCIAL MEDIA

Follow BIBUS on LinkedIn for updates about new products and interesting articles.

Also visit our YouTube channel for many informative videos of our components.



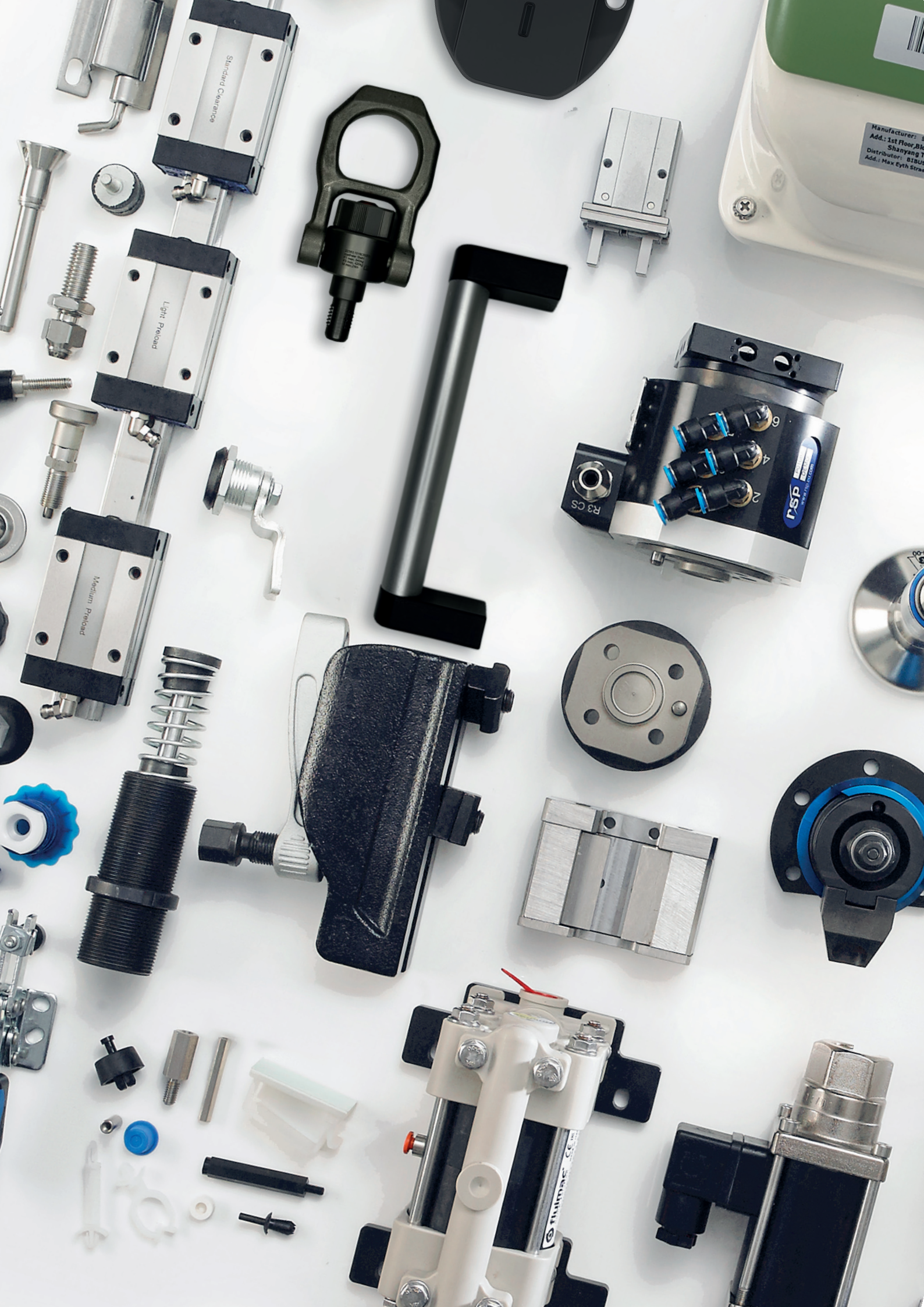
sales@bibus.nl



+31(0)252 433733



bibus.nl/en





THE ASSORTIMENT

BIBUS is a total supplier in the field of:

- mechanical components
- mechatronics
- pneumatics and process technology
- clamping components
- machines
- environmental technology



MECHANICAL COMPONENTS

- operate
- machine elements
- fasten
- cable management
- protect



lifting pins



index plungers



knobs with female thread



knobs with threaded end



knobs with bore



clamping levers



U-handles



functional handles



functional switches



SST 316L handles



grips



crank handles



levers



handwheels



swing handles



locking systems



locks, keys and latches



cams, rods and guides



catches



spring plungers



thrust screws



levelling feet



ball casters



elements



toggle latches



internal hinges



external hinges



magnets



wheels



spacers



PCB-supports



PCB-rails



push rivets



screw and bolts



nuts



rings



cable ties



grommets



heat shrinking tubing



cable clamps



caps



shoulder washers



gaskets



sales@bibus.nl



+31(0)252 433733



bibus.nl/en



ball cages



guide bushings



guide shafts



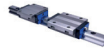
linear actuators



hydraulic height adjustments



rotary drives



linear guides



shaft-hub connections



shaft couplings



gas springs



gas springs quick ship



dampers



vibration buffers



shock absorbers



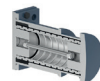
motion control



safety products



friction springs



industrial buffers



bedienings-elementen



machineveiligheid element



optical sensors



temperature- and level sensors



capacitive sensor switches



LED-signaling



tool systems



tool changers



swivels



swivel tool changers



CiRO



hose packages



components and accessories



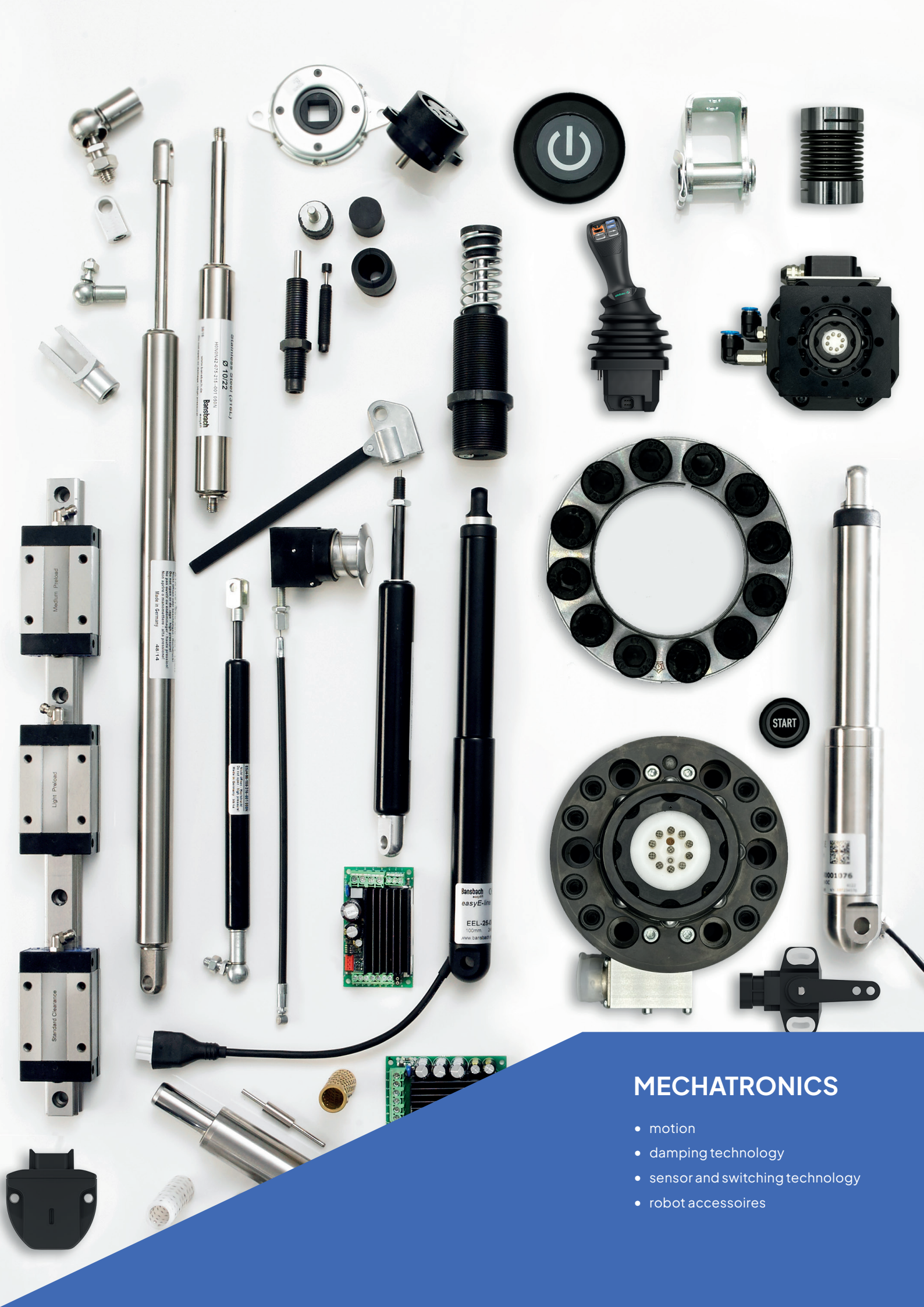
sales@bibus.nl



+31(0)252 433733

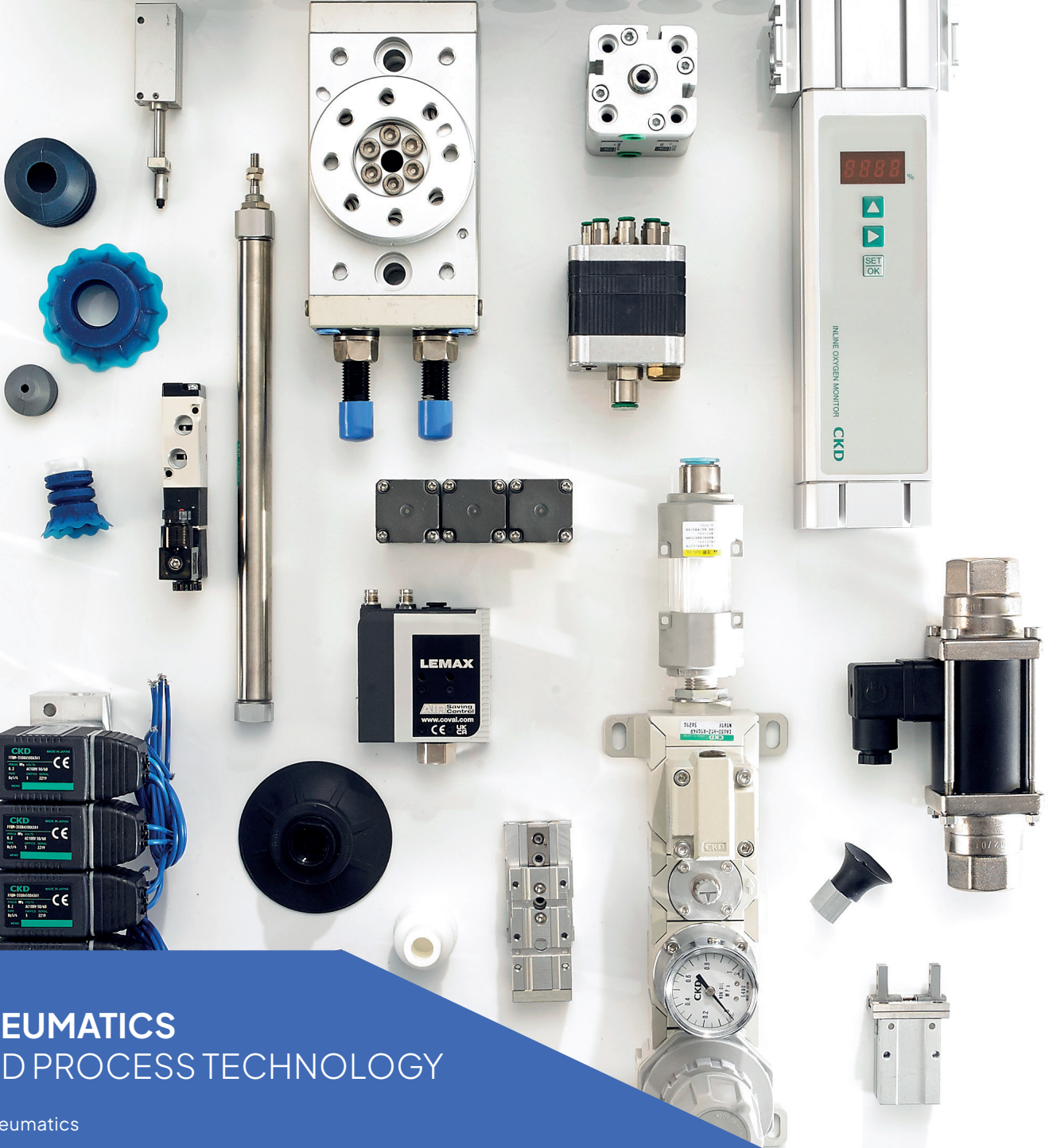
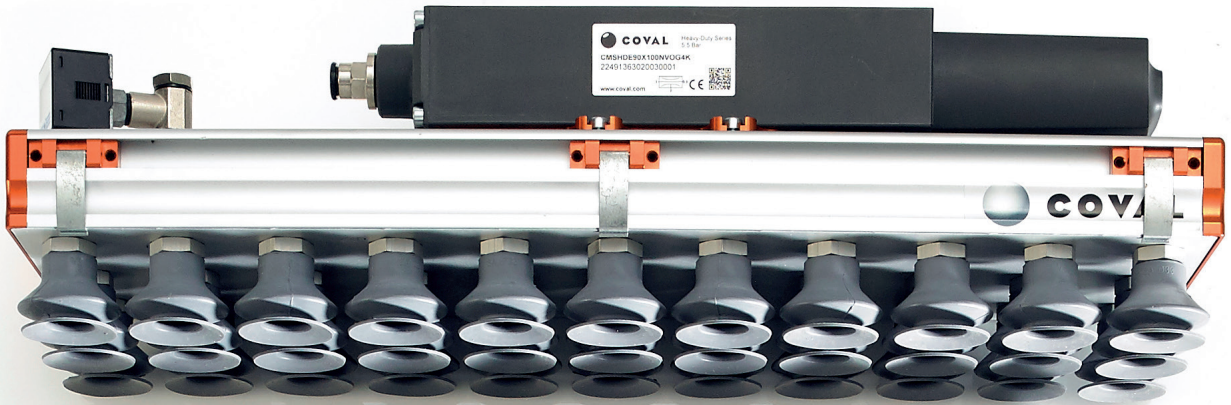


bibus.nl/en



MECHATRONICS

- motion
- damping technology
- sensor and switching technology
- robot accessoires



PNEUMATICS AND PROCESS TECHNOLOGY

- pneumatics
- process technology
- vacuum technology
- measuring and control technology



cylinders



quick ship
ISO cylinders



valves



safety valves



grippers



air treatment



pneumatic
accessories



high speed
valves



solenoid
valves



process
valves



standard
suction cups



special purpose
suction cups



suction cup
accessories



vacuum
pumps



vacuum
switches



vacuum
accessories



vacuum
grippers



pressure
sensors



flow sensors



flow
controllers



pressure
controllers



sales@bibus.nl



+31(0)252 433733



bibus.nl/en



clamping elements



clamps



clamping nuts



clamping washers



clamp supports



slot systems



hole systems



zero point clamping systems



clamping bars



multi-vice clamps



plates



tailored advice



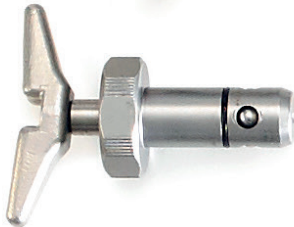
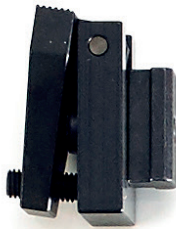
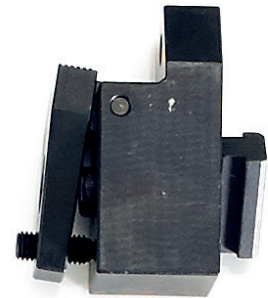
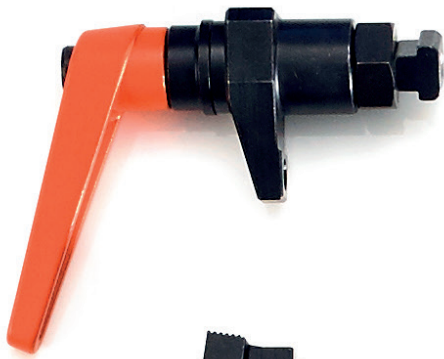
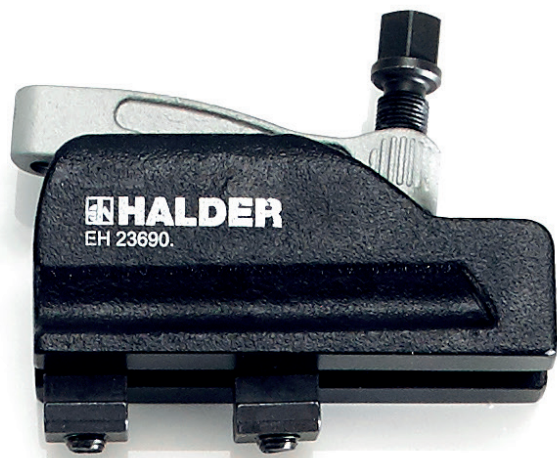
sales@bibus.nl



+31(0)252 433733

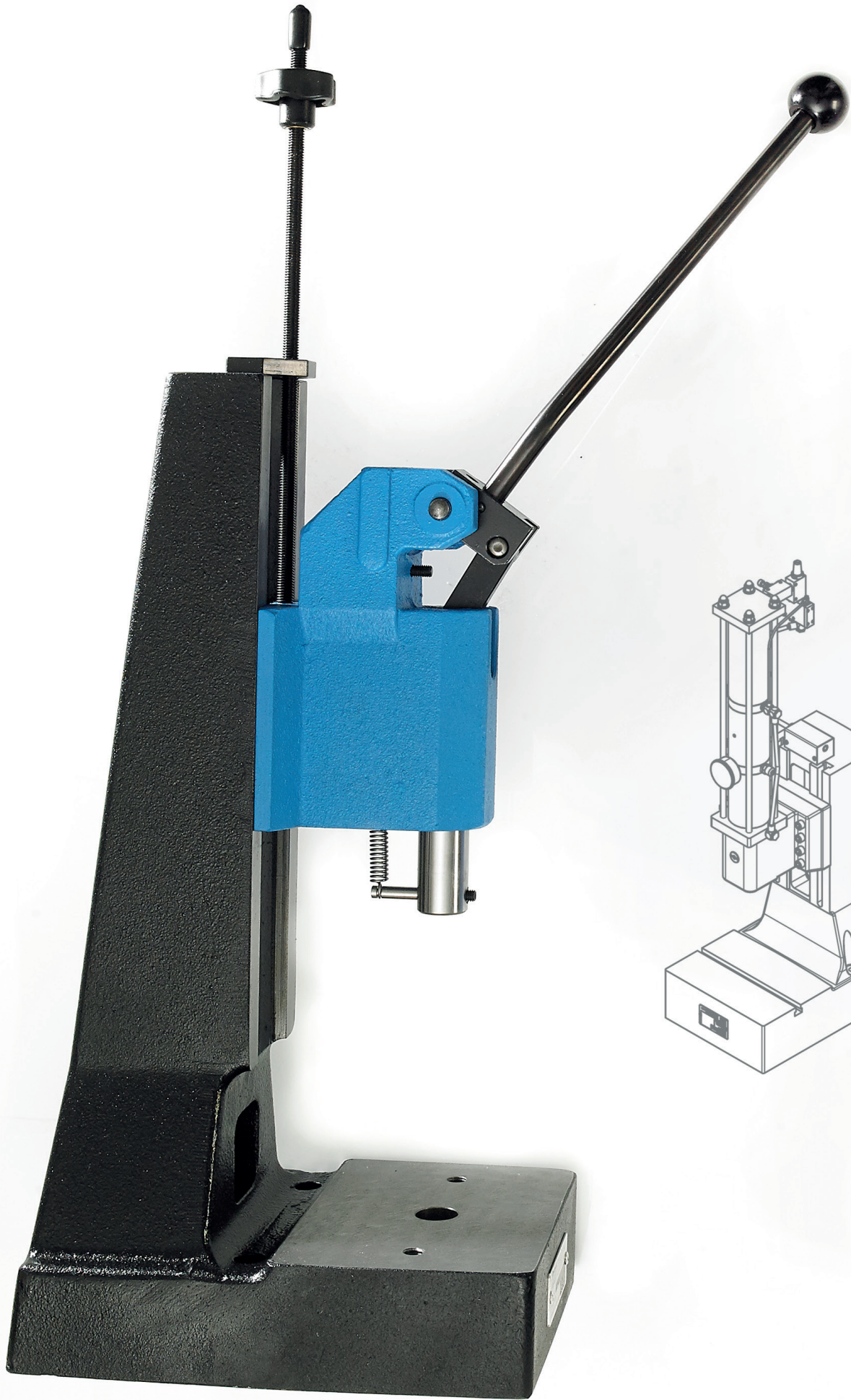


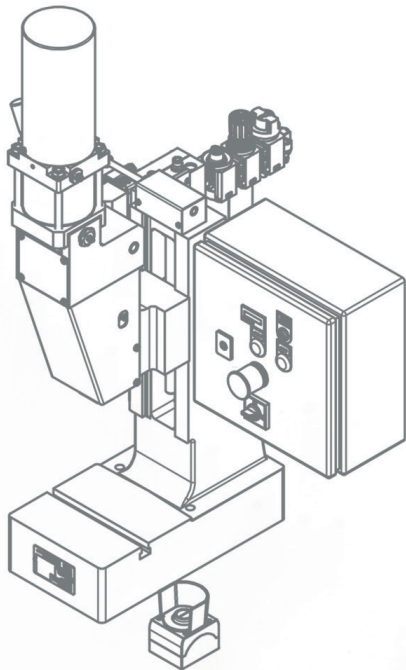
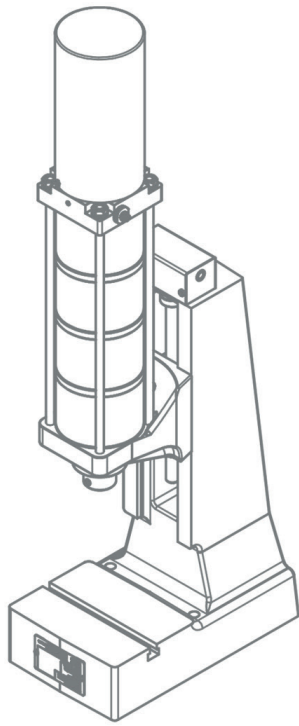
bibus.nl/en



CLAMPING COMPONENTS

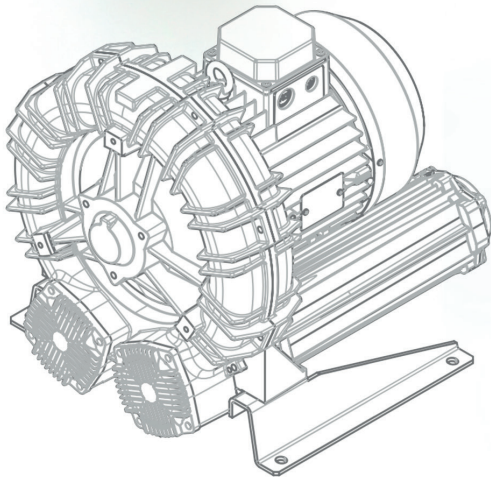
BIBUS supplies a wide range of clamping components, ranging from clamping elements to complete clamping systems.





MACHINES

Industrial presses in a variety of models and broadly applicable for industrial needs.



ENVIRONMENTAL PUMPS

- air pumps
- membrane diffusers
- side channel blowers
- diaphragm pumps



air pumps



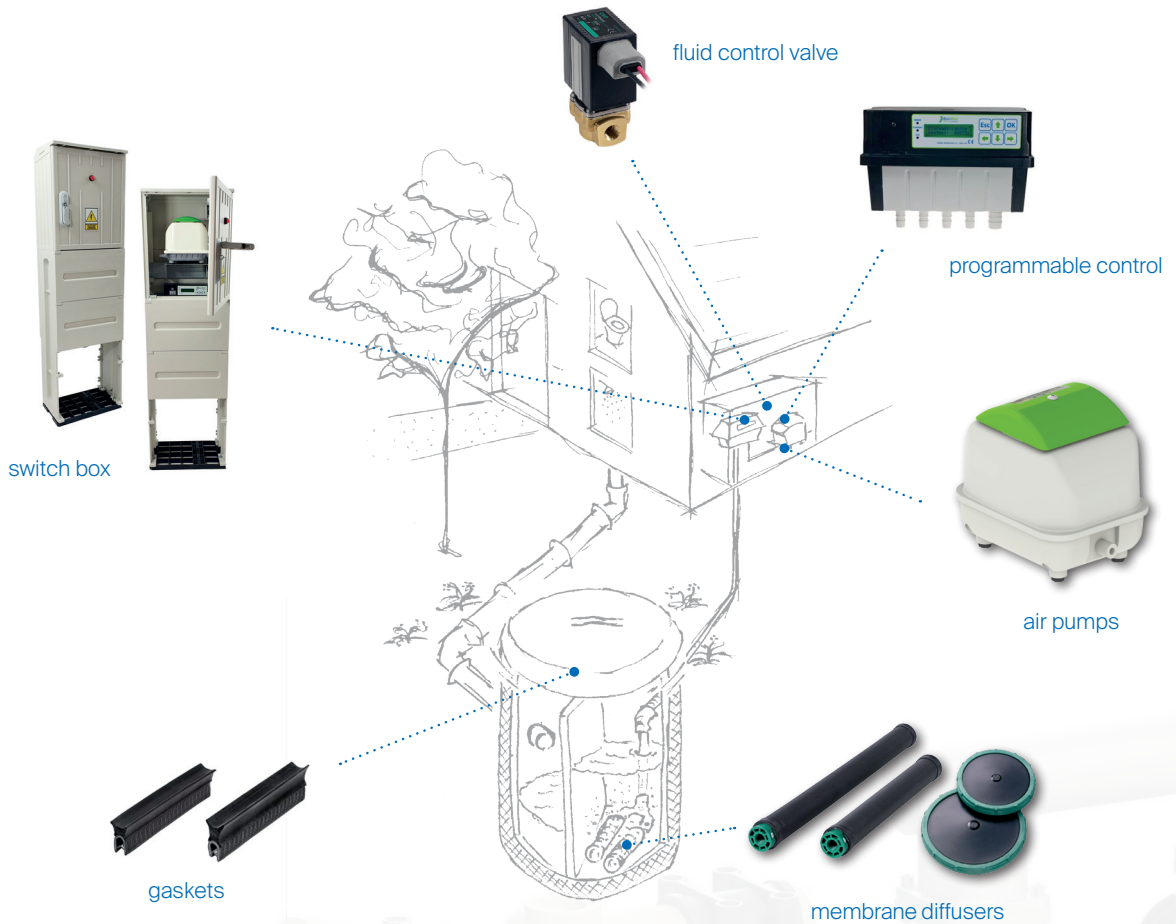
membrane diffusers



side channel blowers



diaphragm pumps



sales@bibus.nl



+31(0)252 433733



bibus.nl/en

Production

Man

INDUSTRY

Services

St

Development

Engineering



YOUR MARKET, OUR KNOWLEDGE



Machine and equipment building



Life science



Healthcare & Sports



Packaging



Environmental



Furniture



Outdoor living



Transport



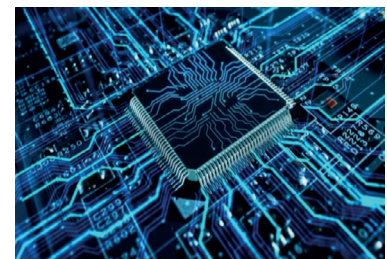
Food



Agriculture



Marine



Semiconductor



sales@bibus.nl



+31(0)252 433733

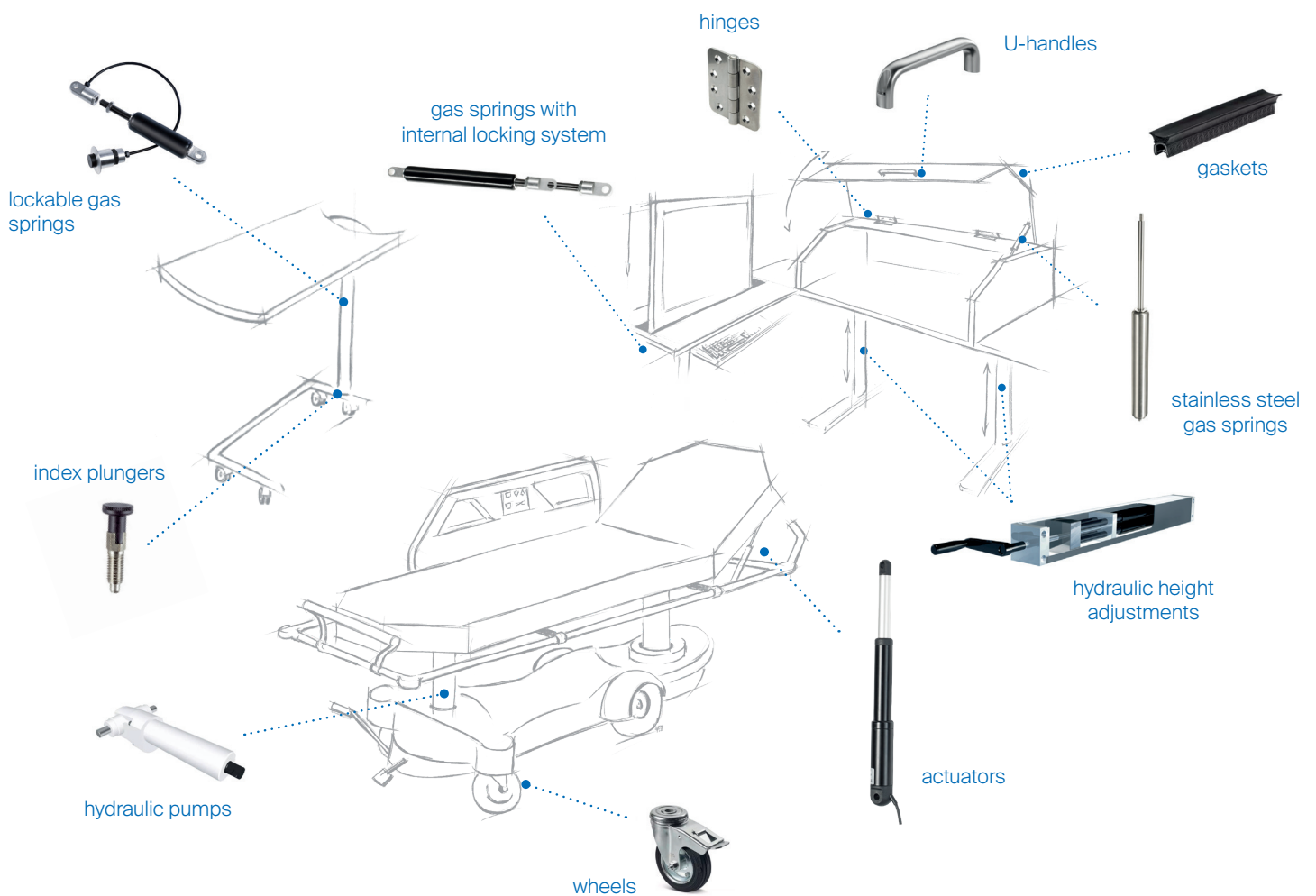


bibus.nl/en

BIBUS IN PRACTICE

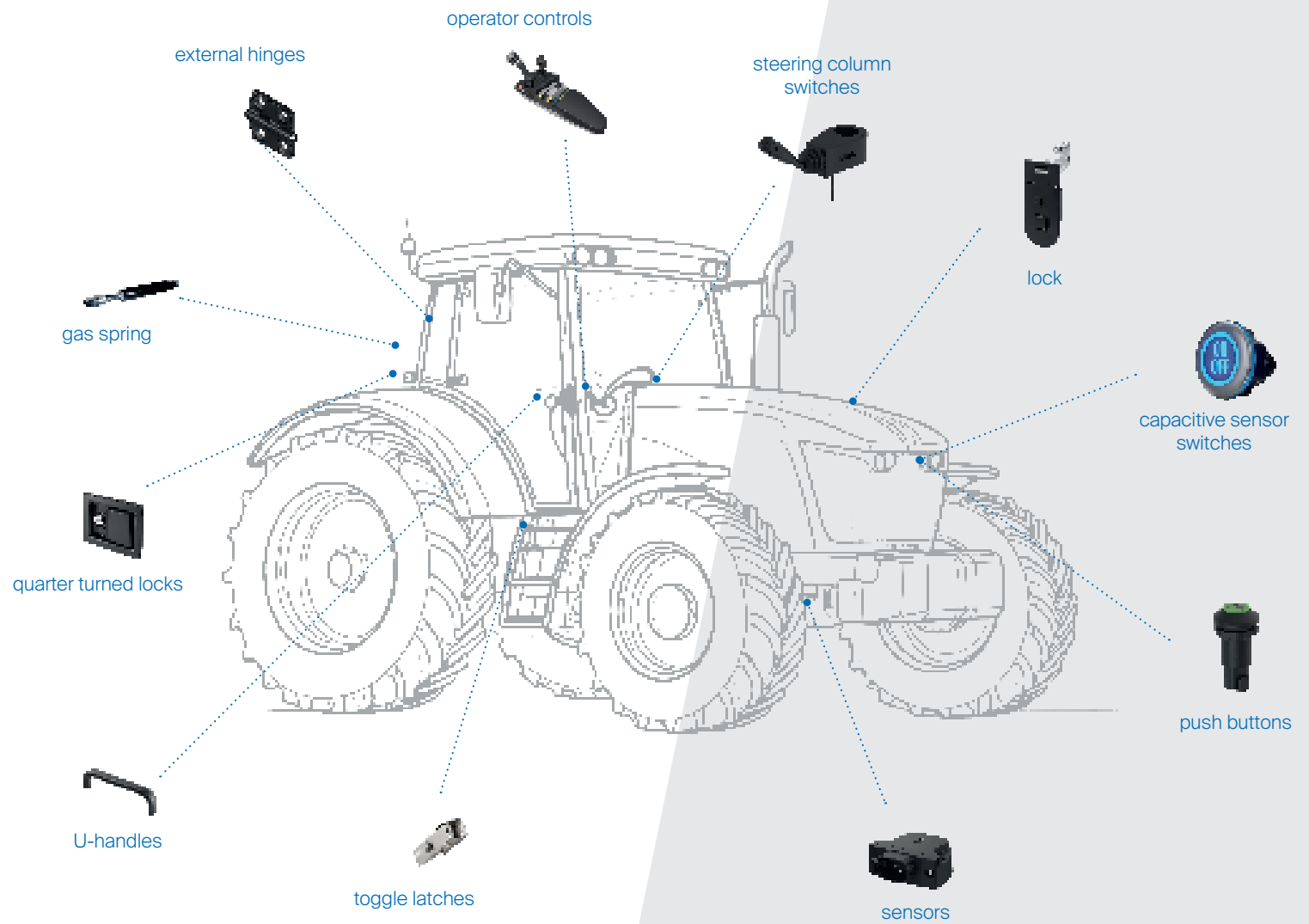
Our solutions

Because BIBUS has been active in the Benelux manufacturing industry since 1960, the team of well-trained and motivated people has a lot of knowledge and extensive practical experience. Please view here an impression of various product applications in different markets.



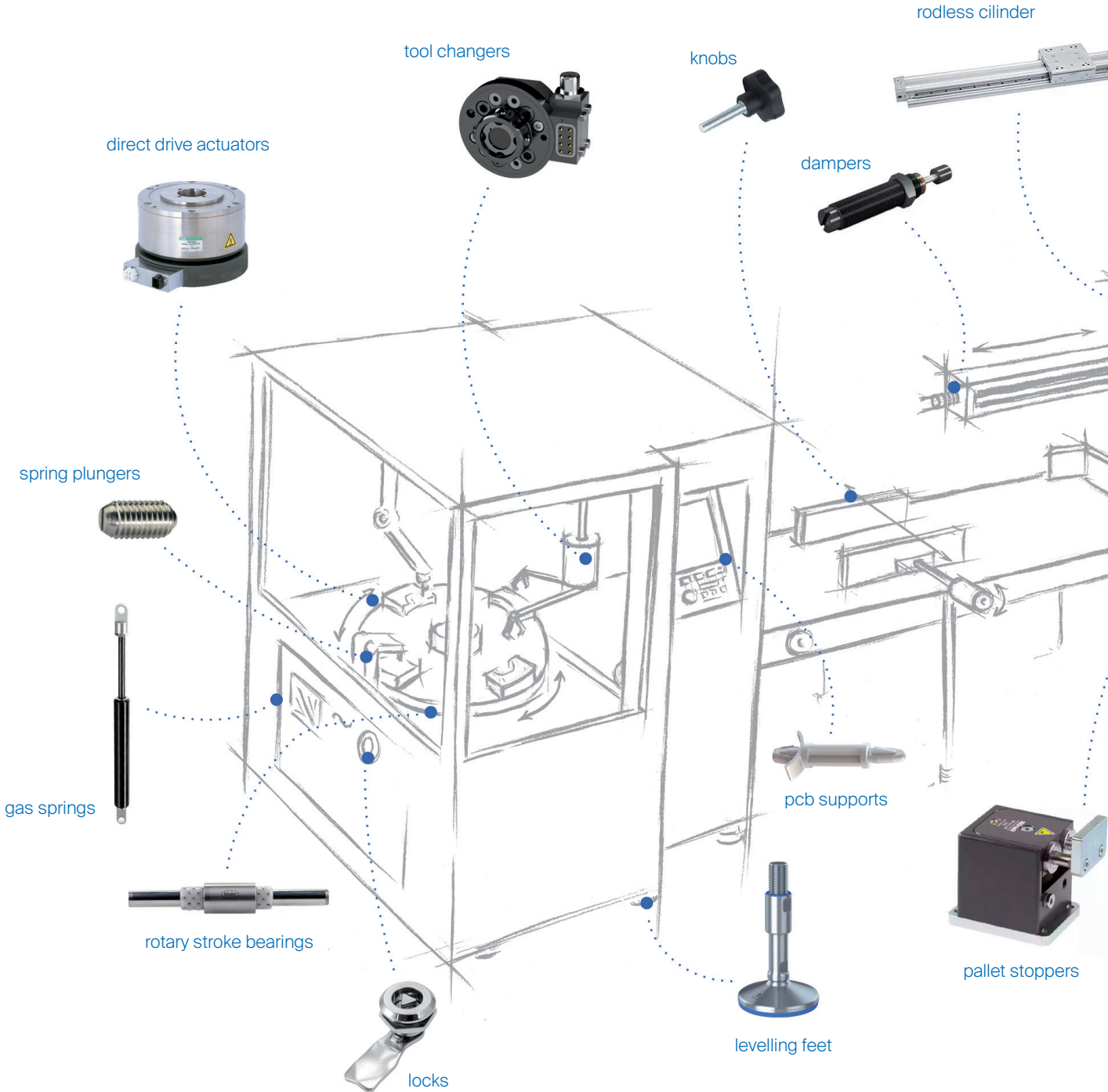
EXAMPLE PRODUCT APPLICATION

In modern machines, numerous products are used to perform a wide range of functions. Whether it concerns industrial equipment, consumer electronics, agricultural machinery or vehicles, components in machines play an essential role in their functioning.



BIBUS IN PRACTICE

“BIBUS: your partner in industrial automation”



INNOVATIVE & PRO-ACTIVE

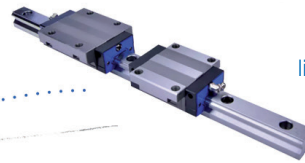
functional handles



finger gripper



linear guides



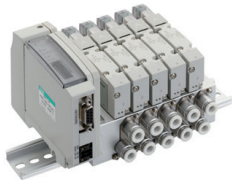
high speed valves



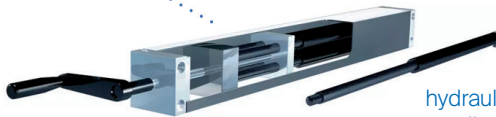
actuators



manifold valves



hydraulic height adjustment



sales@bibus.nl



+31(0)252 433733



bibus.nl/en





BIBUS B.V. Netherlands

Meer en Duin 295
2163 HE Lisse

Tel: +31(0)252 433733

sales@bibus.nl
www.bibus.nl/en

