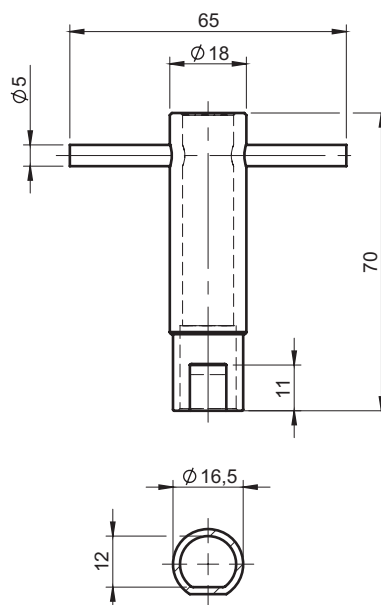
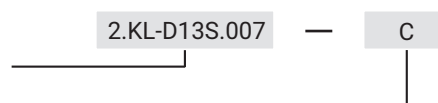


CATALOGUE NUMBER	MATERIAL	Type of key [X]	Finish [C]			
			No finish	Chrome	Nickel	RAL 9005
2.KL-X.007	ZAMAK5		00	01	02	04
		D13S				

**How to order:**

Catalogue number, type of key [X]

Finish



CATALOGUE NUMBER	MATERIAL
2.KL-D13S.008	Steel zinc plated