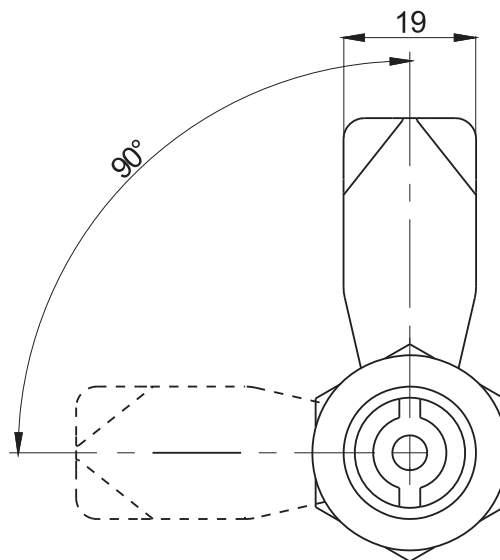


M22-30.02



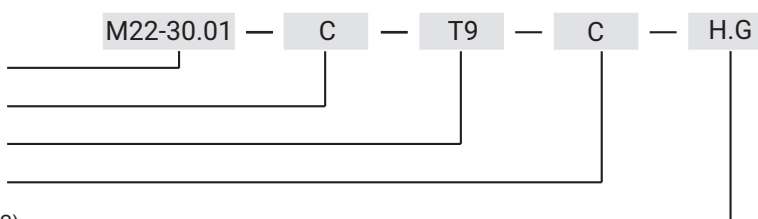
M22-30.01

Additional protection lock is a "Blocade ST1 or ST2 lock" (see page 2A-107, 108, 109)

Insert							Finish [C]			
							Chrome	Nickel	RAL 9005	RAL 7035
D3	D5	T9	KW 8	S	N	C9	01	02	04	05
NAME		COMPONENTS			MATERIAL					
Lock M22-30.01		Housing, insert			ZAMAK5					
Lock M22-30.02		Cam			Steel zinc plated					

How to order :

- Type of lock
- Housing finish
- Type of insert
- Insert finish
- Height of cam H (1C-9 - 1C-22)



* possibility to make in another dimension
 The lock is fitted with cams from the group: 11, 12, 13, 14, 18, 31, 32, 33, 34, 38, JK-1610