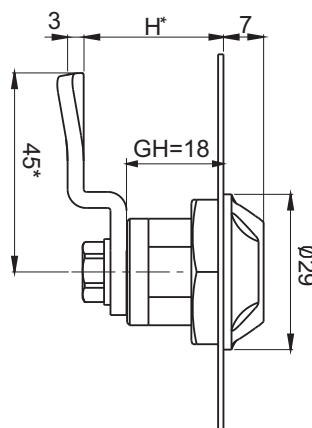


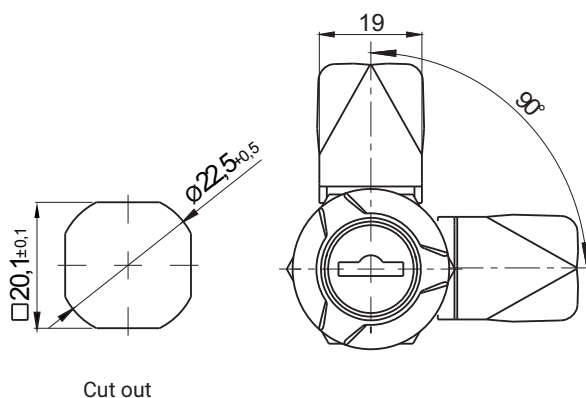
Cut out



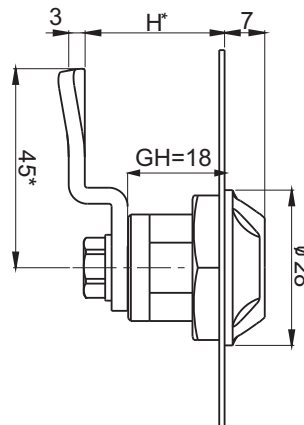
LH/RH



Key code						Finish [C]			
						Chrome	Nickel	RAL 9005	RAL 7035
1333	405E	455E	1242E	2432E	RK	01	02	04	05
NAME		COMPONENTS				MATERIAL			
Lock M22EW		Housing				ZAMAK5			
		Cam				Steel zinc plated			



Cut out



LH/RH



Key code						Finish [C]			
						Chrome	Nickel	RAL 9005	RAL 7035
1333	405E	455E	1242E	2432E	RK	01	02	04	05
NAME		COMPONENTS				MATERIAL			
Lock M22FW		Housing				ZAMAK5			
		Cam				Steel zinc plated			

How to order :

Type of lock

Key code

Height cam H (page 1C-9 - 1C-22)

Finish

M22FW — 1333 — H.G — C

* possibility to make in another dimension

The lock is fitted with cams from the group: 15, 16, 17, 19, 21, 35, 36, JZ-001, JK-10018 (page 1C-9 - 1C-22)