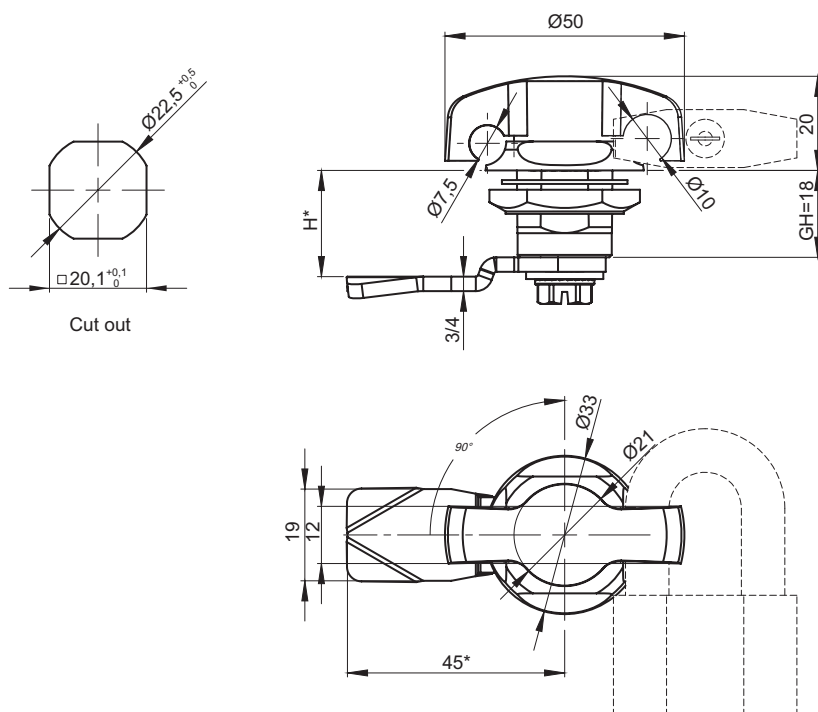


Lock with padlockable mechanism



CATALOGUE NUMBER	COMPONENTS	MATERIAL	FINISH [C]
M22PM-K	Housing, Insert	ZAMAK	RAL 9005
	Cam	Steel	04
M22PM-K.SN	Housing, Insert, Cam	Stainless steel	-

How to order:

M22PM-K — H.G — C

Type of lock _____

Type of cam _____

Finish _____

Notes:
 Lock M22PM-K is compatible with cams without limiter from groups:
 15, 16, 18, 35, 36, JK-10018, J-6000.01, J-6000.02

H.G - the cam unbending dimension (H-locking height, G-group)

State the cam thickness at order.
 Padlock is not included.
 * different dimensions available