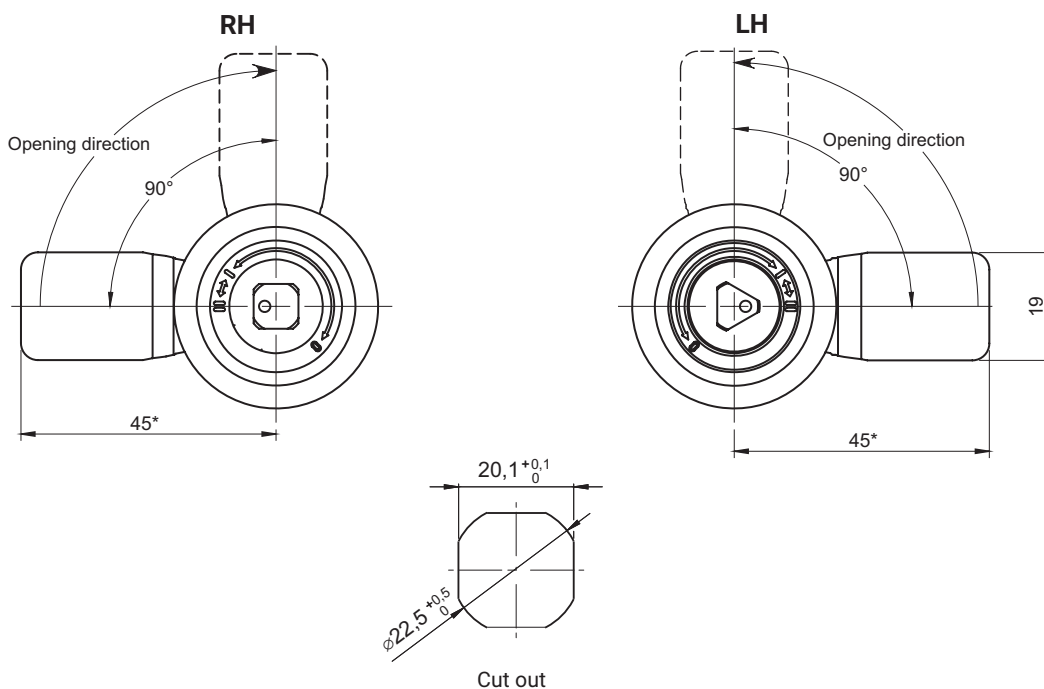
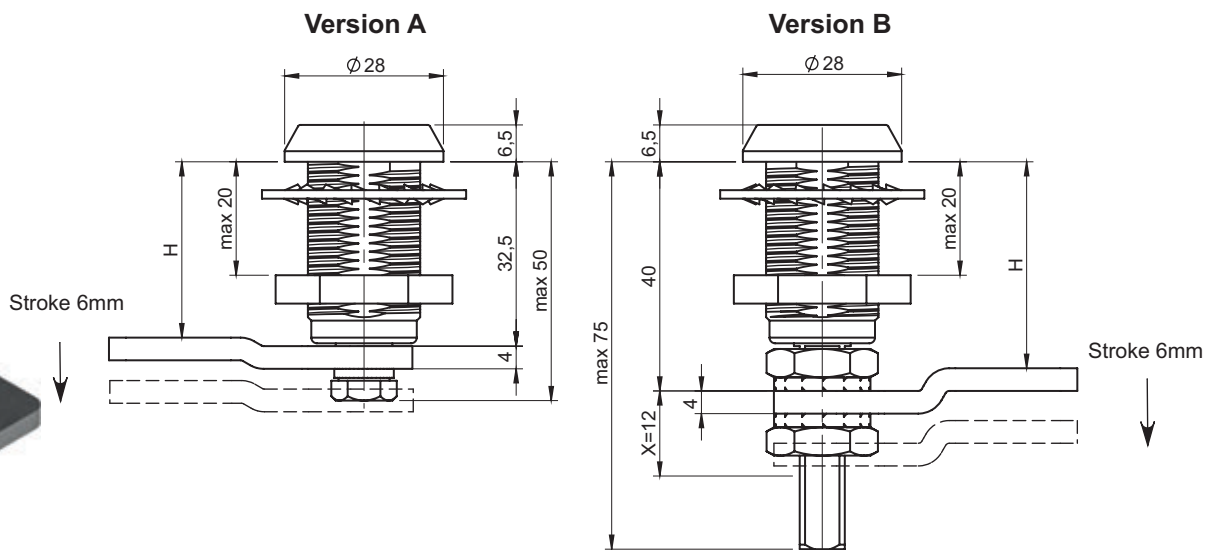


stainless steel IP65 LH/RH



TYPE OF LOCK	COMPONENTS	MATERIAL	INSERT
M22SE SN	Housing, Insert Cam	Stainless steel	

How to order :

Type of lock

Type of insert

Version A, B; (left - LH, right - RH)

Hight cam

- for version A H=27,5; 32,5; 37,5

- for version B H=35; 40; 45

M22SE — T9 — AL — 32,5

* possibility to make in different dimension