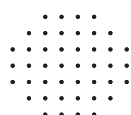
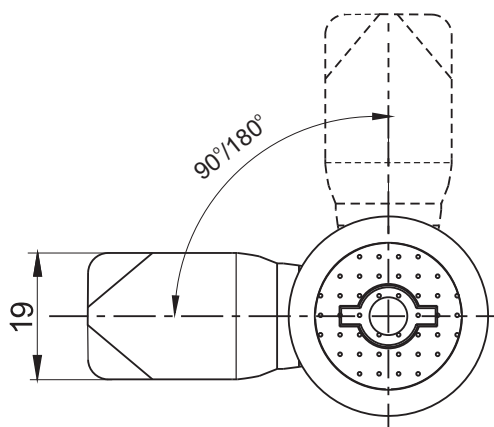
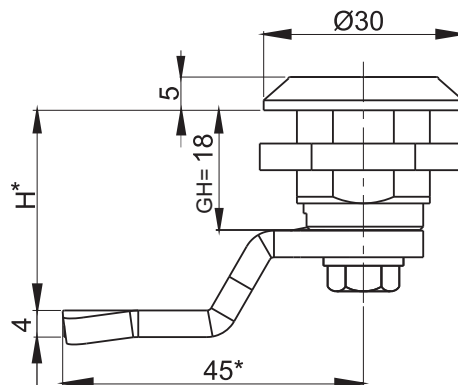
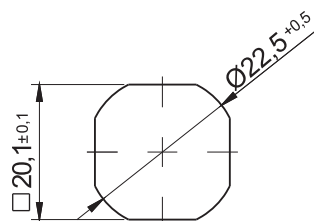


stainless steel	IP65	LH/RH
-----------------	------	-------



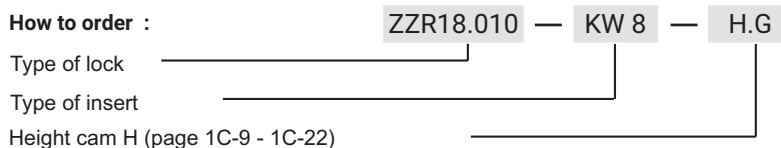
Means closed surface



Cut out

TYPE OF LOCK	COMPONENTS	MATERIAL	Insert		
ZZR18.010	Housing, insert	Stainless steel			
	Cam		D5	T8	KW 8

How to order :



* possibility to make in another dimension
 Note: When ordering specify the thickness of the locking cam

The lock is fitted with cams from the group: 11, 12, 13, 14, 18, 31, 33, 38, JZ-002, J-6000.03, J-6000.04, JK-1610.01 (page 1C-9 - 1C-22)