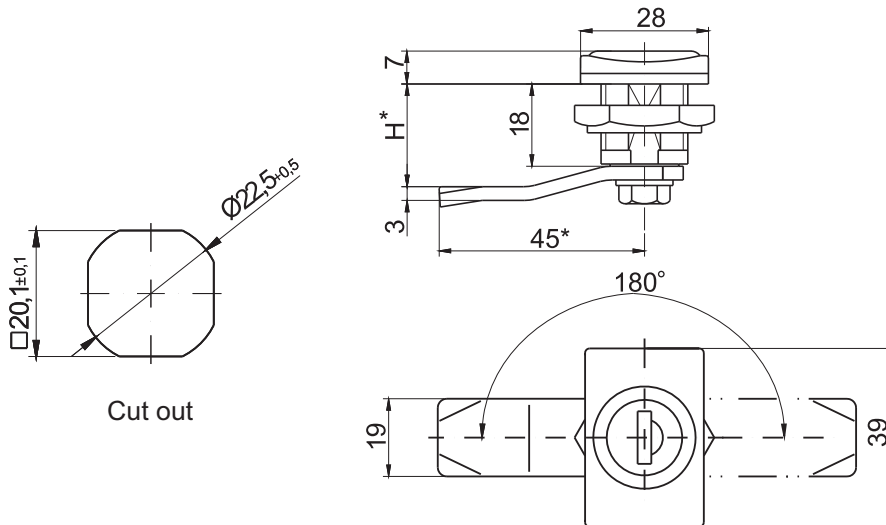


| Key code | | | | | | Finish [C] | | | |
|--------------|------|------------|-------|-------|----|-------------------|----|----------|----|
| 1333 | 405E | 455E | 1242E | 2432E | RK | RAL 9005 | 07 | RAL 7035 | 08 |
| TYPE OF LOCK | | COMPONENTS | | | | MATERIAL | | | |
| M22DW | | Housing | | | | Polyamide | | | |
| | | Cam | | | | Steel zinc plated | | | |



| Key code | | | | | | Finish [C] | | | |
|--------------|------|------------|-------|-------|----|-------------------|----|----------|----|
| 1333 | 405E | 455E | 1242E | 2432E | RK | RAL 9005 | 07 | RAL 7035 | 08 |
| TYPE OF LOCK | | COMPONENTS | | | | MATERIAL | | | |
| M22PW | | Housing | | | | Polyamide | | | |
| | | Cam | | | | Steel zinc plated | | | |

How to order :

M22DW — 1333 — H.G — 90 — C

Type of lock _____

Key code _____

Height of cam H (page 1C-9 - 1C-22) _____

The opening angle of (90°, 180°) _____

Colour of housing _____

* possibility to make in another dimension
 Locks are configured with insert and the nut of polyamide
 H.G - the cam unbending dimension (H-locking height, G-group)
 The lock is fitted with cams from the group: 15, 16, 17, 19, 21, 35, 36, JZ-001, JK-10018 (page 1C-9 - 1C-22)